

# Idler Sprockets with Hub / Small Idlers

## Double Pitch / 35B, 40B, 50B, 60B Series

Feature: The idlers which bearings are built-in on both sides of Double Pitch Sprockets.

### Idler Sprockets with Hub – Double Pitch

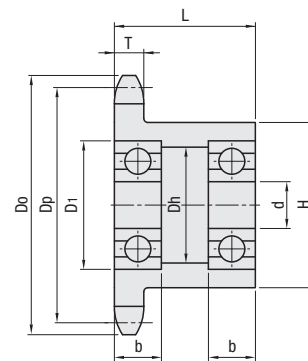


RoHS10

Type	Material		Bearings	Surface Treatment
	Main Body	Bearings		
DRCBW	1045 Carbon Steel or Equivalent (Induction Hardened Teeth Tip)	Steel or Equivalent	Steel or Equivalent	Black Oxide

For Cantilever Shaft, refer to P.914–937.

For driven shaft side tension adjustments, please see Tensioner Unit P.1253–1255.



\*Bearing Accuracy JIS B1514 Class 0  
Ⓢ Bearings are press-fit.

Part Number Type	No. of Teeth	d	Dp	D0	Dh	Hub		T	Bearing Dimension			
						H	L		No.	D <sub>1</sub>	b	
DRCBW	2040	21	20	86.17	92	34	69	25	7.2	B6904ZZ	37	9
		23	25	94.15	100	36	77			B6905ZZ	42	9
		25	25	102.14	108	36	63			B6905ZZ	42	9
	2050	19	25	97.78	105	41	73	28	8.7	B6005ZZ	47	12
		21	30	107.72	115	48				B6006ZZ	55	13
		25	30	127.67	135	48				B6006ZZ	55	13
2060	19	30	117.34	126	55	83	40	11.7	B6206ZZ	62	16	
	25	30	153.2	162	55	80	45		B6206ZZ	62	16	

Part Number Example: DRCBW2040 - 23

Feature: Up to 37% smaller than the standard idler sprockets on P.1525. Usable in space limited applications.

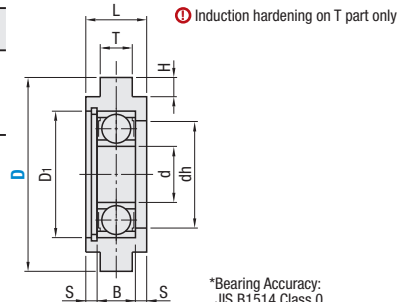
### Small Idlers – 35B, 40B, 50B, 60B Series



RoHS10

Type	Material		Surface Treatment	Hardness
	Main Body	Bearing		
SDRCH	1045 Carbon Steel or Equivalent (Induction Hardened)	Steel or Equivalent	Black Oxide	55–60 HRC~ (Hardened on T part) (Depth 1–2 mm)

For Idler Shafts, please see Cantilever Shafts P.914–937.



\*Bearing Accuracy: JIS B1514 Class 0

Part Number Type	No.	D	d	L	T	dh	H	S	Bearing Dimension			Applicable Ring
									No.	D <sub>1</sub>	B	
SDRCH	35	30	6	12	4.4	13	2.2	3	606ZZ	17	6	RTWN17
		40	10	15					6000ZZ	26	8	RTWN26
		50	12	16					6201ZZ	32	10	RTWN32
	40	40	10	15	7.5	22	2.2	3.5	6000ZZ	26	8	RTWN26
		50	12	16					6201ZZ	32	10	RTWN32
		60	15	19					6202ZZ	35	11	RTWN35
50	50	10	19	9	22	2.7	5.5	6000ZZ	26	8	RTWN26	
	60	12	19					6201ZZ	32	10	RTWN32	
	70	15	19					6202ZZ	35	11	RTWN35	
60	60	12	23	11.8	26	3.5	6.5	6201ZZ	32	10	RTWN32	
	70	15	23					6202ZZ	35	11	RTWN35	

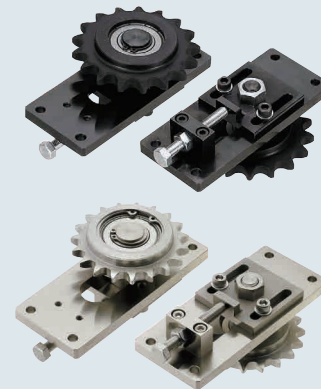
Part Number Example: SDRCH40 - D 60

# Tensioner Units

## Slotted Holes / Adjusting Screws

Features: Tensioner unit with easy assembly. Can be used with chain or belt drive.

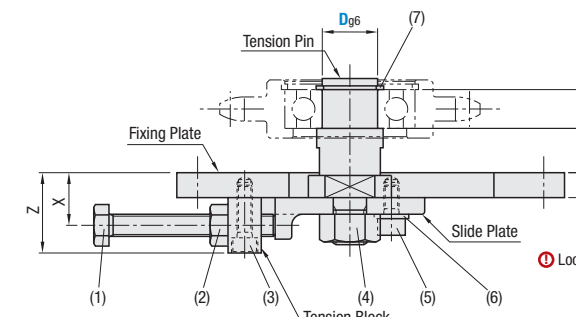
### Tensioner Units – Slotted Holes / Adjusting Screws



RoHS10

Ⓢ Idler is optional.

Type	Attachment Plate	Material			Surface Treatment	Applicable Idlers – Chain Idlers P.1525–1528
		Tension Pins	Slide Plates	Tension Blocks		
TNSR	1018 Carbon Steel or Equivalent	1045 Carbon Steel or Equivalent	1045 Carbon Steel or Equivalent (Precision Casting)	1018 Carbon Steel or Equivalent	Black Oxide	
TNSN					Electroless Nickel Plating	



### Tension Pin Dimension Details

D <sub>96</sub>	V	d	t	P	H	W	M (Coarse Thread)
10	13	9.6	5	13	15	11	M8
12	15	11.5	5	13	15	13	M8
15	20	14.3	8	16	20	17	M10
17	22	16.2	8	17	24	19	M12
20	24	19	8	17	24	22	M12

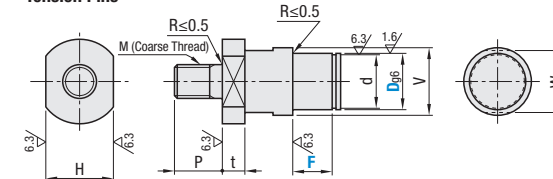
### TNSR Accessories

D <sub>96</sub>	(1) Adjustment Screw	(2) Nut	(3) (2 Pcs.) Hexagon Socket Head Cap Screw	(4) Nut	(5) (2 Pcs.) Hexagon Socket Head Cap Screw	(6) (2 Pcs.) Flat Washer	(7) C Type Retaining Ring
10	M6 x 55	LBNR6	CB4-16	LBNR8	CB5-10	PWF5	STWN10
12	M6 x 55	LBNR6	CB4-16	LBNR8	CB5-10	PWF5	STWN12
15	M8 x 60	LBNR8	CB5-22	LBNR10	CB5-14	PWF5	STWN15
17	M8 x 60	LBNR8	CB5-22	LBNR12	CB6-16	PWF6	STWN17
20	M8 x 60	LBNR8	CB5-22	LBNR12	CB6-16	PWF6	STWN20

### TNSN Accessories

D <sub>96</sub>	(1) Adjustment Screw	(2) Nut	(3) (2 Pcs.) Stainless Steel Hexagon Socket Head Cap Screw	(4) Nut	(5) (2 Pcs.) Stainless Steel Hexagon Socket Head Cap Screw	(6) (2 Pcs.) Flat Washer	(7) C Type Retaining Ring
10	M6 x 55	SLBNR6	M4 x 16	SLBNR8	M5 x 10	SPWF5	STWS10
12	M6 x 55	SLBNR6	M4 x 16	SLBNR8	M5 x 10	SPWF5	STWS12
15	M8 x 60	SLBNR8	M5 x 22	SLBNR10	M5 x 14	SPWF5	STWS15
17	M8 x 60	SLBNR8	M5 x 22	SLBNR12	M6 x 16	SPWF6	STWS17
20	M8 x 60	SLBNR8	M5 x 22	SLBNR12	M6 x 16	SPWF6	STWS20

### Tension Pins



Part Number Type	D <sub>96</sub>	1 mm Increment		ST (Stroke)	A	B	T	J	C	E	G	K	S	X	Z	N
		Y	F													
TNSR TNSN	10	10–50	8–50	25	120	50	6	24	55	35	42.0	22.5	57.5	14	21	5.5
	12															
	15	12–60	10–50	25	125	55	9	31	57.5	40	48.5	25.5	60	19	29	6.6
	17															
20																

Ⓢ When D=10 and 12, Y+F≤80  
Ⓢ When D=15–20, Y+F≤120

Part Number Example: TNSR20 - Y15 - F12  
TNSN15 - Y20 - F32