

# Bevel Gears

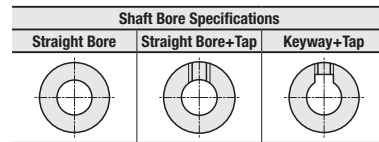
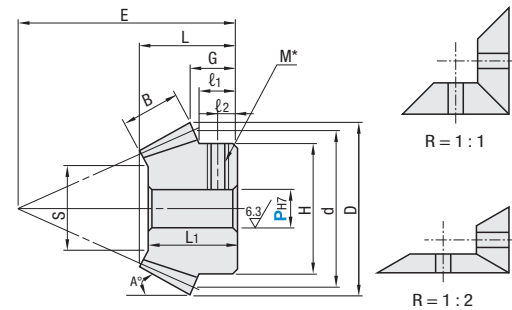
Pressure Angle 20°, Straight / Spiral Type Module 1.0, 1.5, 2.0

Bevel Gears – Pressure Angle 20°, Straight / Spiral Type Module 1.0, 1.5, 2.0



RoHS10

Type					Material	Surface Treatment	Accessories
Straight Type		Spiral Type					
Straight Bore	Straight Bore + Tap	Keyed Bore + Tap	Straight Bore + Tap	Keyed Bore + Tap			
KGEASH	KGEAST	KGEASK	KGEAPT	KGEAPK	1045 Carbon Steel or Equivalent	—	Set Screw (4137 Alloy Steel or Equivalent Black Oxide)
KGEASHB	KGEASTB	KGEASKB	KGEAPT B	KGEAPKB		Black Oxide	
KGEASHG	KGEASTG	KGEASKG	KGEAPT G	KGEAPKG		Electroless Nickel Plating	
KGHS	KGTS	KGKS	—	—	304 Stainless Steel	—	Set Screw (304 Stainless Steel)



- Ⓢ Keyway Dimension Details P.1469.
- Ⓢ Positioning of keyway and teeth are not fixed.
- \*Straight Bore Type does not have tapped holes.
- Ⓢ Set Screw is not included in Non-tapped Type products.

Accuracy JIS B 1702 (Class 4)

## Straight Type

Part Number	Module	Nominal	Shaft Bore Dia. P <sub>17</sub> 1 mm Increment		No. of Teeth	R Gear Ratio	Mating Gear Number	B	H	d	D	S	E	L	G	ℓ <sub>1</sub>	ℓ <sub>2</sub>	L <sub>1</sub>	A°	M (Coarse)
			Straight Bore + Tap	Keyway + Tap																
Straight Bore KGEASH KGEASHB KGEASHG KGHS Straight Bore + Tap KGEAST KGEASTB KGEASTG KGTS Keyway Bore + Tap KGEASK KGEASKB KGEASKG KGKS	1.0	2020	6, 8	8	20	1:1	2020	4.3	16	20	21.41	11.8	21	14.53	11.71	9	4.5	13	49°3'	M4
		2525	6, 8, 10	8, 10	25	1:1	2525	5.3	20	25	26.41	15	23	14.7	11.21	8	4	13	48°51'	M4
		3030	8, 10, 12	8, 10, 12	30	1:2	3030	6.2	22	30	31.41	19.4	26	15.89	11.71	8.9	4.5	14.5	47°42'	M4 (M5)
		4020	6, 8	8	20	1:2	4020	5.7	16	20	21.79	12.1	29.6	15.03	10.05	8.6	4	14	29°8'	M4
	2040	8, 10, 12	8, 10, 12	40	1:1	2040	5.7	25	40	40.89	28.4	21.8	15.02	12.69	8	4	13	66°0'	M4 (M5)	
	2020	10, 12	10, 12	20	1:1	2020	6.8	24	30	32.12	17.7	28	18.53	14.06	10	5	16.5	49°3'	M4	
	2525	10-14	10-14	25	1:1	2525	7.5	30	37.5	39.62	23.7	34	21.26	16.31	11.5	5	19	48°51'	M4	
	3030	12-16	12-16	30	1:2	3030	9.3	33	45	47.12	29.6	38	22.83	16.56	12.34	6	21	47°42'	M5	
	1836	8, 10, 12	8	18	1:2	3618	9.8	22	27	29.68	12.2(12.1)	40.74	22.96	14.41	12.5	6	21	29°25'	M4	
	3618	10-15	10-15	36	1:2	1836	9.8	30	54	55.34	34.3	26.75	18.54	14.59	10	5	15.5	66°17'	M5	
	2020	12-14	12-14	20	1:1	2020	8.5	34	40	41.32	23.9	37	24	18.41	14	7	21	49°3'	M5	
	*2525	12-14	12-14	25	1:1	2525	10.5	42	50	51.33	32.3	40	23.34	16.41	10.99	5	21	48°51'	M5	
3030	16-18	16-18	30	1:2	3030	12.4	44	60	61.36	38.9	51	30.77	22.41	16.79	8	28	47°42'	M6		
1836	10	10	18	1:2	3618	12.6	28	36	37.81	19.1	53.12	29	18.01	15.12	7	27	29°25'	M4		
3618	12-14	12-14	36	1:2	1836	12.6	36	72	72.15	47.6	35.21	24.07	19	13	6.5	21	66°17'	M5		

- Ⓢ \* marked sizes not available for Stainless Steel products
- Ⓢ Sizes in ( ) are for 304 Stainless Steel.
- Ⓢ Module 1.0 is not available for KGHS (Round Shaft Bore of 304 Stainless Steel)
- Ⓢ Spiral bevel gears from different manufacturers may not match correctly. Always select mating sets from MISUMI.
- Ⓢ Note: The gears are sold in each piece quantity, not as sets.
- Ⓢ Select 10K as P dimension if you request keyway width of 4.0 mm (height 1.8 mm) for Keyway+Tap with shaft bore diameter of 10. P.1469

## Spiral Type (Spiral Angle 35°)

Part Number	Module	Nominal	Shaft Bore Dia. P <sub>17</sub> 1 mm Increment		Twisting Direction	No. of Teeth	R Gear Ratio	Mating Gear Number	B	H	d	D	S	E	L	G	ℓ <sub>1</sub>	ℓ <sub>2</sub>	L <sub>1</sub>	A°	M (Coarse)
			Straight Bore + Tap	Keyway + Tap																	
Straight Bore + Tap KGEAPT KGEAPT B KGEAPT G Keyway + Tap KGEAPK KGEAPKB KGEAPKG	1.0	2020	6, 8	8	L R	20	1:1	2020	4.5	16	20	21.12	11.3	21	14.43	11.56	9	4.5	13	50°31'	M4
		3030	10, 12	10, 12	(Left) (Right)	30	1:1	3030	6.2	22	30	31.09	19.4	26	15.67	11.54	9	4.5	14.5	48°21'	M5
		2040	8, 10, 12	8	L (Left)	20	1:2	4020	5.7	16	20	21.87	12.1	29.6	15	10.07	8.6	4	14	30°13'	M4
		4020	10, 12	10, 12	R (Right)	40	1:2	2040	5.7	25	40	40.41	28.4	21.8	14.57	12.21	8	4	13	65°36'	M5
	2020	10, 12	10, 12	(Left) (Right)	20	1:1	2020	7	24	30	31.85	17.2	28	18.44	13.93	10	5	16.5	50°5'	M4	
	3030	12-16	12-16	L R	30	1:1	3030	9.3	33	45	46.79	29.7	38	22.64	16.4	12	6	21	47°54'	M5	
	1836	8, 10, 12	8	L (Left)	18	1:2	3618	9.8	22	27	30.09	12.2	40.74	22.96	14.51	12.49	6	21	30°44'	M4	
	3618	10-15	10-15	R (Right)	36	1:2	1836	9.8	30	54	54.76	34.3	26.75	18.01	14.01	9	4.5	15.5	65°57'	M5	

- Ⓢ Use Spiral Type in L and R sets.
- Ⓢ Spiral bevel gears from different manufacturers may not match correctly. Always select mating sets from MISUMI.
- Ⓢ Note: The gears are sold in each piece quantity, not as sets.
- Ⓢ Select 10K as P dimension if you request keyway width of 4.0 mm (height 1.8 mm) for Keyed Bore + Tap with shaft bore diameter of 10. P.1469

# Bevel Gears

Pressure Angle 20°, Straight / Spiral Type Module 1.0, 1.5, 2.0, continued

Module	Nominal	Available Types											
		Straight Type											
		Straight Bore				Straight Bore+Tap				Keyway+Tap			
		KGEASH	KGEASHB	KGEASHG	KGHS	KGEAST	KGEASTB	KGEASTG	KGTS	KGEASK	KGEASKB	KGEASKG	KGKS
1.0	2020	•	•	•	—	•	•	•	•	•	•	•	•
	2525	•	•	•	—	•	•	•	•	•	•	•	•
	3030	•	•	•	—	•	•	•	•	•	•	•	•
	2040	•	•	•	—	•	•	•	•	•	•	•	•
	4020	•	•	•	—	•	•	•	•	•	•	•	•
1.5	2020	•	•	•	•	•	•	•	•	•	•	•	•
	2525	•	•	•	•	•	•	•	•	•	•	•	•
	3030	•	•	•	•	•	•	•	•	•	•	•	•
	1836	•	•	•	•	•	•	•	•	•	•	•	•
	3618	•	•	•	•	•	•	•	•	•	•	•	•
2.0	2020	•	•	•	•	•	•	•	•	•	•	•	•
	2525	•	•	•	—	•	•	•	•	•	•	•	•
	3030	•	•	•	•	•	•	•	•	•	•	•	•
	1836	•	•	•	•	•	•	•	•	•	•	•	•
	3618	•	•	•	•	•	•	•	•	•	•	•	•

Module	Nominal	Available Types					
		Spiral Type					
		Straight Bore+Tap		Keyway+Tap		Keyway+Tap	
		KGEAPT	KGEAPT B	KGEAPT G	KGEAPK	KGEAPKB	KGEAPKG
1.0	2020	•	•	•	•	•	•
	3030	•	•	•	•	•	•
	2040	•	•	•	•	•	•
	4020	•	•	•	•	•	•
1.5	2020	•	•	•	•	•	•
	3030	•	•	•	•	•	•
	1836	•	•	•	•	•	•
	3618	•	•	•	•	•	•

**Part Number Example**

Part Number - Number (of teeth / mating gear) - Shaft Bore Dia. P<sub>17</sub> - Twisting Direction

KGEASH1.0 - 2020 - 6

KGEAPT G1.5 - 3618 - 18 - R

**Part Number Alterations**

Part Number - Number - Shaft Bore Dia. P<sub>17</sub> - Hardness - (KC90 / KC120)

KGEAPT B1.0 - 3030 - 10 - R - KC90

Alterations	Set Screw	
Code	KC90	KC120
Spec.	Adds another set screw at 90° position. Ⓢ Not applicable to Straight Bore Type.	Adds another set screw at 120° position. Ⓢ Not applicable to Straight Bore Type.