

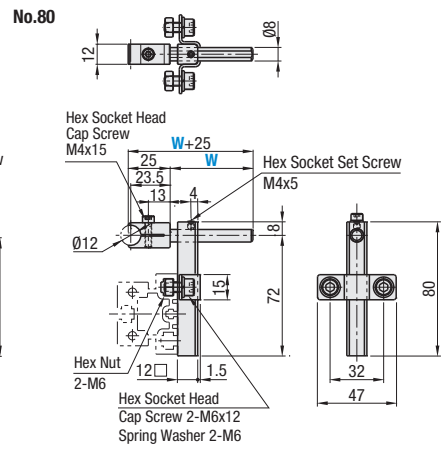
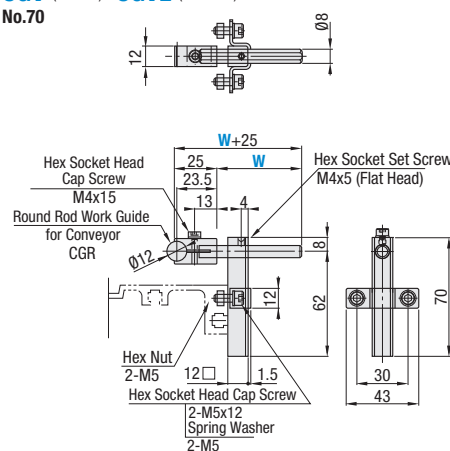
# Guide Rail Brackets

Standard Type / Offset Type

## Conveyor Round Rod Guide Rail Brackets – Standard Type



**CGV (W=50) CGVL (W=100)**  
No.70



Material: 304 Stainless Steel

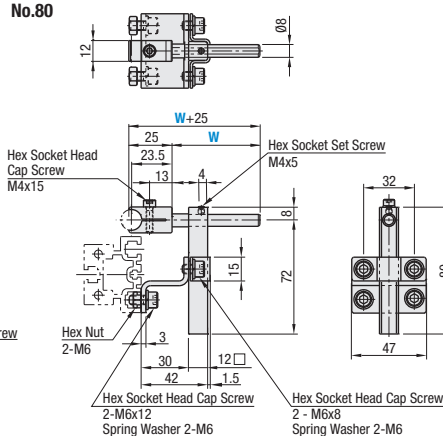
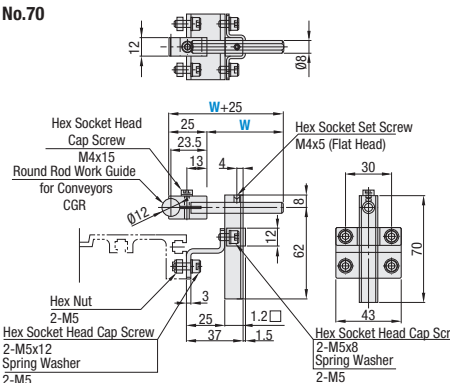
Part Number		W
Type	No.	
CGV (W = 50)	70	50
	80	
CGVL (W = 100)	70	100
	80	

Part Number Example: **CGV70**

## Conveyor Guide Rail Brackets – Offset Type



**CGW (W=50) CGWL (W=100)**  
No.70



Material: 304 Stainless Steel

Part Number		W
Type	No.	
CGW (W = 50)	70	50
	80	
CGWL (W = 100)	70	100
	80	

Part Number Example: **CGW80**

Part Number Alterations: **CGW - 70 - CL**, **CGVL - 80 - CL**

Alterations	Code	Spec
Change to Product with Clamp Lever 	CL	Hex socket set screws are replaced with the clamp lever (Orange, CLDMC4-8-M equivalent).

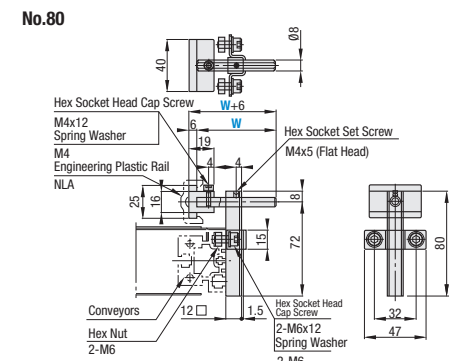
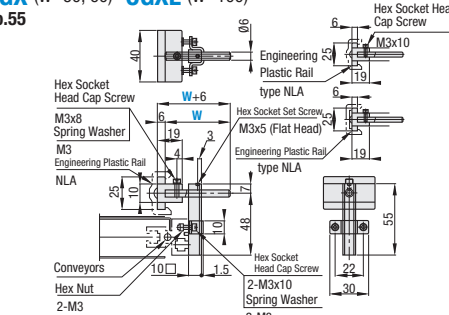
# Guide Rail Brackets

Engineering Plastic

## For Conveyors – Engineering Plastic Guide Rail Brackets – Standard Type

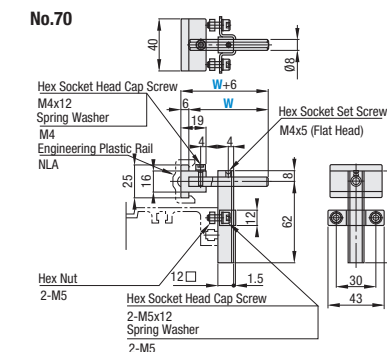


**CGX (W=50, 60) CGXL (W=100)**  
No.55



Engineering plastic rail is not included.

Material: 304 Stainless Steel



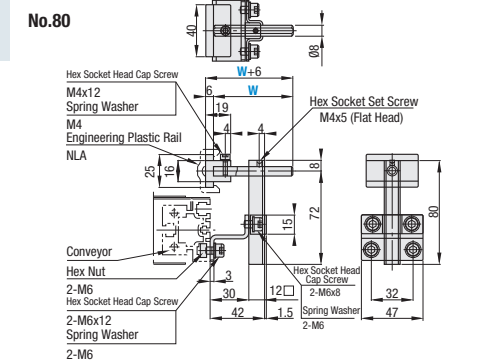
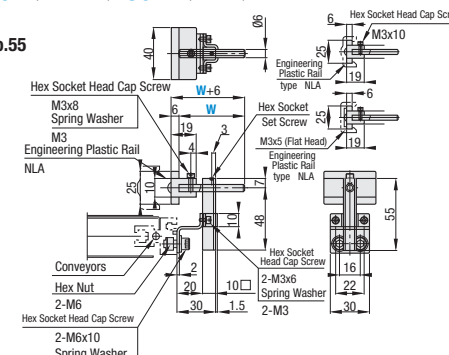
Part Number		W
Type	No.	
CGX (W = 50, 60)	55	50
	70	
	80	
CGXL (W = 100)	55	100
	70	
	80	

Part Number Example: **CGX55**

## For Conveyors – Engineering Plastic Guide Rail Brackets – Offset Type

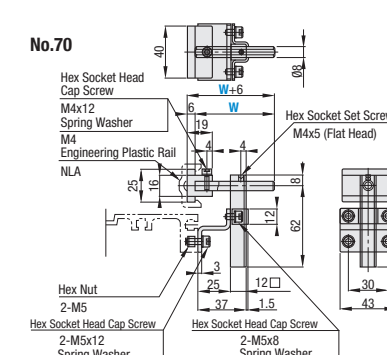


**CGY (W=50, 60) CGYL (W=100)**  
No.55



Engineering plastic rail is not included.

Material: 304 Stainless Steel



Part Number		W
Type	No.	
CGY (W = 50, 60)	55	50
	70	
	80	
CGYL (W = 100)	55	100
	70	
	80	

Part Number Example: **CGY70**