

Conveyor Work Benches

Folding Type

Features: Work bench that can be used next to conveyors. It can be folded if when not in use. Suitable for saving space.

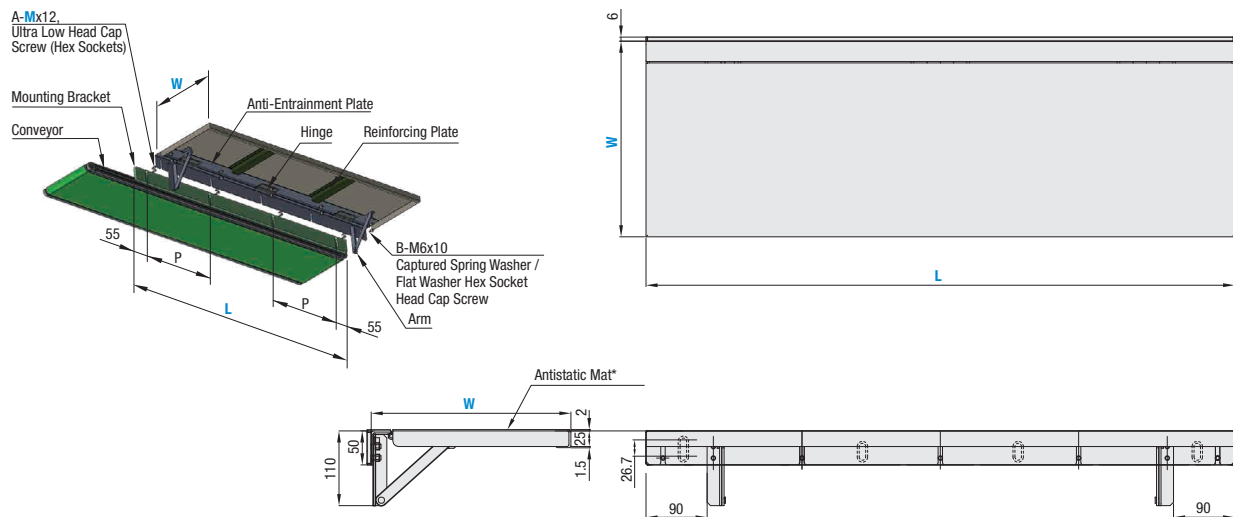


Type	Table Main Unit			Mounting Bracket		Arm
	Material	Surface Treatment	Surface Material Thickness (mm)	Material	Surface Treatment	Material
CGTA	Aluminum Alloy	Clear Anodize (D)	—	Aluminum Alloy	Clear Anodize (D)	304 Stainless Steel
CGTT	Aluminum Alloy + Natural Rubber (Antistatic, Green)		2			

(D) The cross-sections and machined hole areas are not anodized.

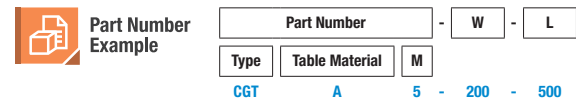
L	A	B	P	Mounting Bracket Number of Mounting Holes (Slotted Holes)	Hinge Qty.	Reinforcing Plate Qty.
200-300	4	6	L-110	2 pcs.	2 pcs.	0 pc.
310-500	6	8	(L-110) / 2	3 pcs.	2 pcs.	1 pc.
510-1000	8	10	(L-110) / 3	4 pcs.	3 pcs.	2 pcs.

Back Detail View

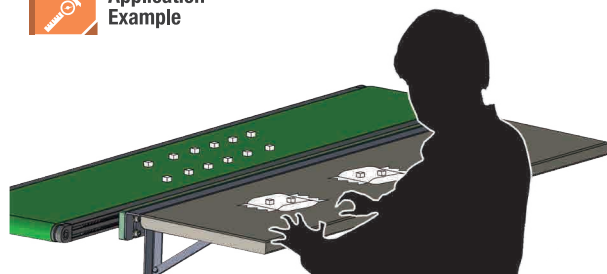


(D) Mounting brackets will be shipped unassembled. (The installation manual is included.)
* The antistatic mat is attached to W dimensions and the mounting bracket (plate thickness 6 mm area) with adhesives.

Type	Part Number			L 10mm Increment	Allowable Load (Kgf)
	Table Material	M (Mounting Screw) Selection	W Selection		
CGT	A Aluminum	5 (M5) 6 (M6)	200	260-1000	5.0
			300		
	T Antistatic (Green)		200		
			300		



Application Example



Conveyor Press Rollers

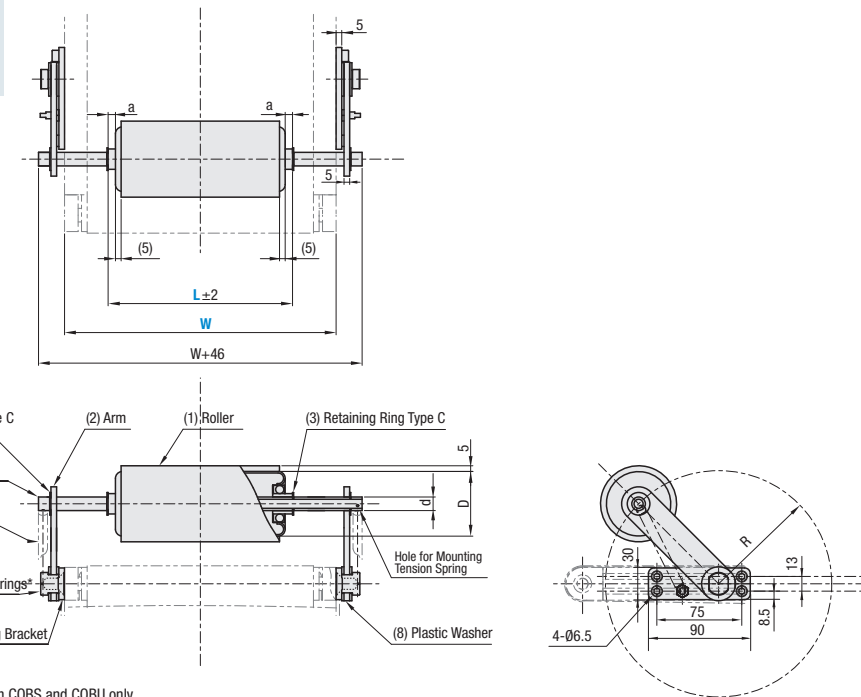
Standard Type

Features: Suitable for conveying printed materials. Roller sizes and urethane type can be selected according to the workpiece.



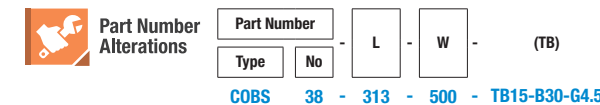
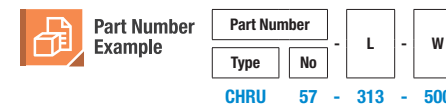
Type	Material		(1) Roller		Hardness	Color
	Fixed	Spring Loaded	Core	Wheel		
CHRS	Carbon Steel	COBS	Carbon Steel	Urethane	Shore 90	Natural Color
CHRU				Antistatic Urethane		Gray

Material	(2) Arm	(3) Retaining Ring Type C	(4) Stainless Steel Tube	(5) Tension Spring	(6) Post for Tension Springs	(7) Conveyor Mounting Bracket	(8) Plastic Washer
	Surface Treatment	6061 Aluminum Alloy	304 Stainless Steel	304 Stainless Steel	304 Stainless Steel	304 Stainless Steel	

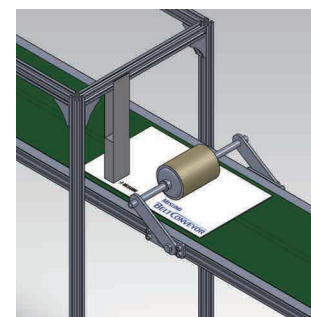


(D) (1) Roller is fixed on the center.
* (5) Tension Spring and (6) Tension Spring Post are included with COBS and COBU only.

Part Number	TYPE	No	L	W 1mm Increment	D	d	a	R
CHRS	38	163	38.1	12.2	5.5	75		
CHRU	57	213	57.2	12.2	6.5	100		
		263		150				
Spring Loaded	28	313	28.6	8.2	3.5	60		
COBS	38	413	38.1	12.2	5.5	75		
COBU	57	513	57.2	12.2	6.5	100		



Application Example



Alterations	Mounting Bracket Hole Diameter Specified												
Code	TB												
Spec.	The hole diameter of the conveyor mounting bracket is changed to 1 mm increment.												
	<table border="1"> <thead> <tr> <th>TB (D)</th> <th>B Selection</th> <th>G (D)</th> </tr> </thead> <tbody> <tr> <td>1mm Increment</td> <td>0.5mm Increment</td> <td></td> </tr> <tr> <td>12-21</td> <td>30</td> <td>4.5-9</td> </tr> <tr> <td>12-41</td> <td>50</td> <td></td> </tr> </tbody> </table>	TB (D)	B Selection	G (D)	1mm Increment	0.5mm Increment		12-21	30	4.5-9	12-41	50	
TB (D)	B Selection	G (D)											
1mm Increment	0.5mm Increment												
12-21	30	4.5-9											
12-41	50												
	(D) When B = 30, TB + G ≤ 25.5; When B = 50, TB + G ≤ 45.5												
	Ordering Code: TB15-B30-G4.5												

