

Roller Carriers (Milled Rollers / Press Rollers)

Roller Width 25 mm Type

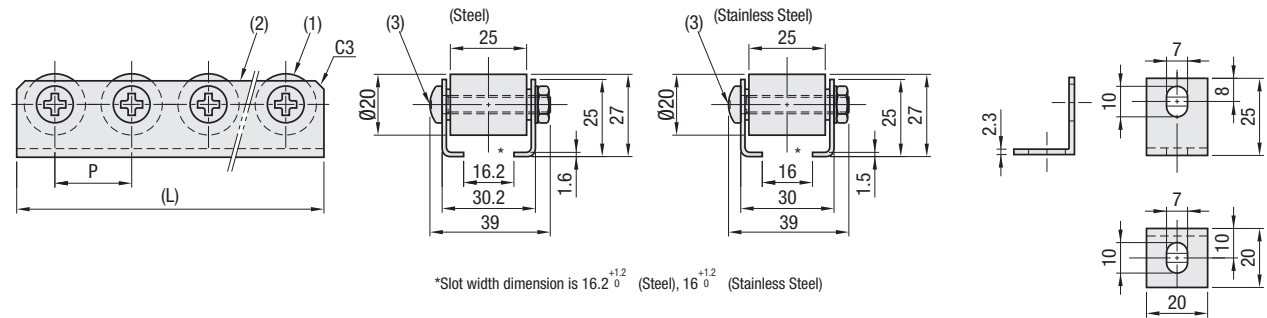


RoHS 10

Roller Width	Type	Roller Pitch			(1) Roller		Bearing	(2) Frame		(3) Screw / Nut		(4) Bracket	
		Bracket	P=25	P=30	P=35	Material		Surface Treatment	Material	Surface Treatment	Material	Surface Treatment	Material
25	No Bracket	CRONEW	CRONFW	CRONW	Steel	Trivalent Chromate	Steel	Steel	Hot Dip Plating*	Steel	Trivalent Chromate	—	—
	With Bracket	CRONEWB	CRONFWB	CRONWB		Hard Chrome Plating						Steel	Trivalent Chromate
	With Bracket	—	—	CROCW	Stainless Steel	—	Stainless Steel	Stainless Steel	—	Stainless Steel	—	—	—
	No Bracket	—	—	CROSW		—						Stainless Steel	—
With Bracket	—	—	CROSWB	—	—	—	—	—	—	—	—	—	

*Hot Dip Plating (Fused Plating of Zinc, Aluminum, Magnesium)

(4) Included Brackets (x4 Pcs.)



*Slot width dimension is 16.2⁺¹² (Steel), 16⁰ (Stainless Steel)

Part Number	Type	No. of Wheels	L		
			P=25	P=30	P=35
Roller Width 25mm No Bracket CRONEW CRONFW CRONW CROSW With Bracket CRONEWB CRONFWB CRONWB CROCW CROSWB	2	(48)	(58)	(68)	
	3	(73)	(88)	(103)	
	4	(98)	(118)	(138)	
	5	(123)	(148)	(173)	
	6	(148)	(178)	(208)	
	7	(173)	(208)	(243)	
	8	(198)	(238)	(278)	
	9	(223)	(268)	(313)	
	10	(248)	(298)	(348)	
	11	(273)	(328)	(383)	
	12	(298)	(358)	(418)	
	13	(323)	(388)	(453)	
	14	(348)	(418)	(488)	
	15	(373)	(448)	(523)	
	16	(398)	(478)	(558)	
	17	(423)	(508)	(593)	

Part Number	Type	No. of Wheels	L		
			P=25	P=30	P=35
Roller Width 25mm No Bracket CRONEW CRONFW CRONW CROSW With Bracket CRONEWB CRONFWB CRONWB CROCW CROSWB	18	(448)	(538)	(628)	
	19	(473)	(568)	(663)	
	20	(498)	(598)	(698)	
	21	(523)	(628)	(733)	
	22	(548)	(658)	(768)	
	23	(573)	(688)	(803)	
	24	(598)	(718)	(838)	
	25	(623)	(748)	(873)	
	26	(648)	(778)	(908)	
	27	(673)	(808)	(943)	
	28	(698)	(838)	(978)	
	29	(723)	(868)	(1013)	
	30	(748)	(898)	(1048)	
	31	(773)	(928)	(1083)	
	32	(798)	(958)	(1118)	
	33	(823)	(988)	(1153)	

Ⓢ For loading weight, 40kgf (392N) per wheel for 25mm width Rollers, and 50kgf (490N) for 50mm width Rollers.

Method for Mounting Brackets

Remove nuts from two bracket joining locations, and use included brackets and screws to install.



Roller Carriers

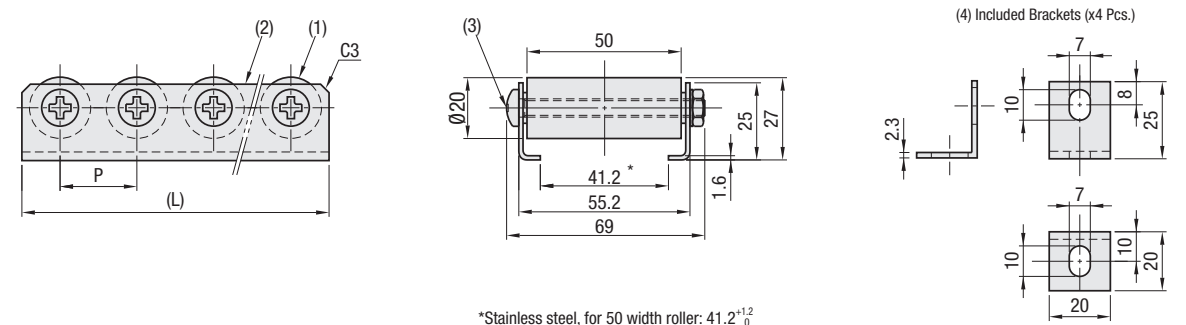
Roller Width 50 mm Type



RoHS 10

Roller Width	Type	Roller Pitch			(1) Roller		Bearing	(2) Frame		(3) Screw / Nut		(4) Bracket	
		Bracket	P=25	P=30	P=35	Material		Surface Treatment	Material	Surface Treatment	Material	Surface Treatment	Material
50	No Bracket	CRONEX	CRONFX	CRONX	Steel	Trivalent Chromate	Steel	Steel	Hot Dip Plating*	Steel	Trivalent Chromate	—	—
	With Bracket	CRONEXB	CRONFXB	CRONXB								Steel	Trivalent Chromate

* Hot Dip Plating (Fused Plating of Zinc, Aluminum, Magnesium)



*Stainless steel, for 50 width roller: 41.2⁺¹²0

Part Number	Type	No. of Wheels	L	
			P=25	P=35
Roller Width 50mm No Bracket CRONEX CRONFX CRONX With Bracket CRONEXB CRONFXB CRONXB	2	(48)	(68)	
	3	(73)	(103)	
	4	(98)	(138)	
	5	(123)	(173)	
	6	(148)	(208)	
	7	(173)	(243)	
	8	(198)	(278)	
	9	(223)	(313)	
	10	(248)	(348)	
	11	(273)	(383)	
	12	(298)	(418)	
	13	(323)	(453)	
	14	(348)	(488)	
	15	(373)	(523)	
	16	(398)	(558)	
	17	(423)	(593)	

Part Number	Type	No. of Wheels	L	
			P=25	P=35
Roller Width 50mm No Bracket CRONEX CRONFX CRONX With Bracket CRONEXB CRONFXB CRONXB	18	(448)	(628)	
	19	(473)	(663)	
	20	(498)	(698)	
	21	(523)	(733)	
	22	(548)	(768)	
	23	(573)	(803)	
	24	(598)	(838)	
	25	(623)	(873)	
	26	(648)	(908)	
	27	(673)	(943)	
	28	(698)	(978)	
	29	(723)	(1013)	
	30	(748)	(1048)	
	31	(773)	(1083)	
	32	(798)	(1118)	
	33	(823)	(1153)	

Ⓢ For loading weight, 40kgf (392N) per wheel for 25mm width Rollers, and 50kgf (490N) for 50mm width Rollers.

Method for Mounting Brackets

Remove nuts from two bracket joining locations, and use included brackets and screws to install.

