

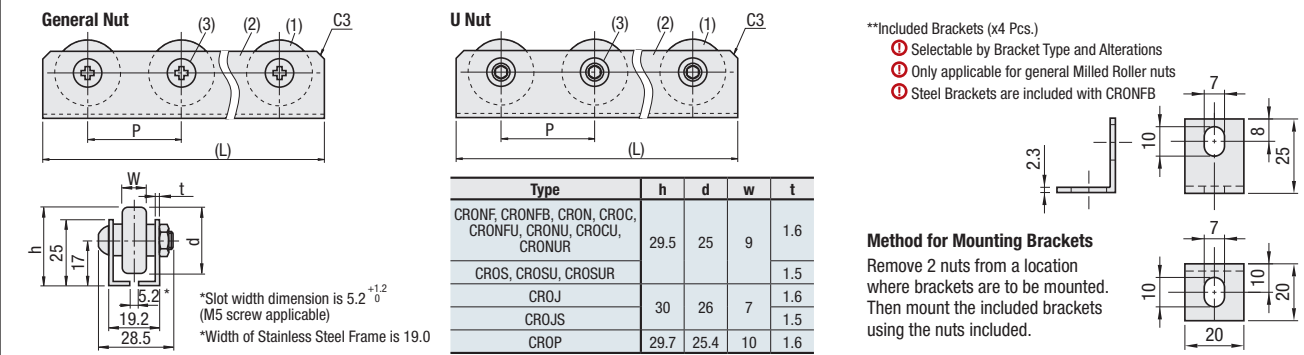
Roller Carriers (Milled Rollers / Press Rollers)

General Nut / U Nut Roller Width 7-10 mm Type



Rollers Type	Fixing Nuts Type	Roller Pitch		(1) Roller		Bearing	(2) Frame		(3) Screw / Nut		
		P=30		P=35			Material	Surface Treatment	Material	Surface Treatment	
		No Bracket	**With Bracket	No Bracket	Material						Surface Treatment
Milled Rollers	General Nuts (JIS Type 3)	CRONF	CRONFB	CRON	Steel	Trivalent Chromate	Steel	Steel	Hot Dip Plating*	Steel	Trivalent Chromate
		—	—	CROC	Stainless Steel	—	Stainless Steel	Stainless Steel	—	Stainless Steel	—
		—	—	CROS	—	—	Steel	Steel	Hot Dip Plating*	Steel	Trivalent Chromate
		—	—	CROJ	Polycetal	—	Steel	Steel	—	Stainless Steel	—
		—	—	CROJS	Polycetal	—	Steel	Stainless Steel	—	Stainless Steel	—
Press Rollers	—	—	CROP	Steel (Press)	Trivalent Chromate	Steel	Steel	Trivalent Chromate	Steel	Trivalent Chromate	
Urethane Lined Milled Rollers	—	—	CRONUR	Urethane	Trivalent Chromate	Steel	Steel	Trivalent Chromate	Steel	Trivalent Chromate	
—	—	—	—	—	—	Stainless Steel	Stainless Steel	—	Stainless Steel	—	
Milled Rollers	U Nut	CRONFU	—	CRONU	Steel	Trivalent Chromate	Steel	Steel	Trivalent Chromate	Steel	Trivalent Chromate
		—	—	CROCU	—	—	Stainless Steel	Stainless Steel	—	Stainless Steel	—
		—	—	CROSU	Stainless Steel	—	Stainless Steel	Stainless Steel	—	Stainless Steel	—

Ⓢ U Nuts have 20 times higher vibration resistance than general nuts, and do not easily come loose. Ⓢ The Urethane is Shore A90 Black. * Hot Dip Plating (Hot Dip Plating of Zinc Aluminum Magnesium Type)



Part Number		L	
Type	Number of Wheels	P=30	P=35
Milled Rollers	2	(58)	(68)
With General Nuts	3	(88)	(103)
CRONF Steel	4	(118)	(138)
CRON Steel	5	(148)	(173)
CROC Steel+Hard Chrome Plating	6	(178)	(208)
CROS Stainless Steel	7	(208)	(243)
CROJ Plastic	8	(238)	(278)
CROJS Plastic Roller / Stainless Steel	9	(268)	(313)
Frame	10	(298)	(348)
CRONFB Steel with Brackets	11	(328)	(383)
	12	(358)	(418)
	13	(388)	(453)
Press Rollers	14	(418)	(488)
CRONUR Press-Formed Frame	15	(448)	(523)
	16	(478)	(558)
	17	(508)	(593)

Part Number		L	
Type	Number of Wheels	P=30	P=35
Milled Rollers	18	(538)	(628)
With General Nuts	19	(568)	(663)
CRONF Steel	20	(598)	(698)
CRON Steel	21	(628)	(733)
CROC Steel+Hard Chrome Plating	22	(658)	(768)
CROS Stainless Steel	23	(688)	(803)
CROJ Plastic	24	(718)	(838)
CROJS Plastic Roller / Stainless Steel	25	(748)	(873)
Frame	26	(778)	(908)
CRONFB Steel with Brackets	27	(808)	(943)
	28	(838)	(978)
	29	(868)	(1013)
Press Rollers	30	(898)	(1048)
CRONUR Press-Formed Frame	31	(928)	(1083)
	32	(958)	(1118)
	33	(988)	(1153)

Ⓢ For loading weight, 30kgf (294N) per wheel for Milled Rollers.
 Ⓢ For CROP, CRONUR and CROSUR types, P=30 is not available.

Part Number Example

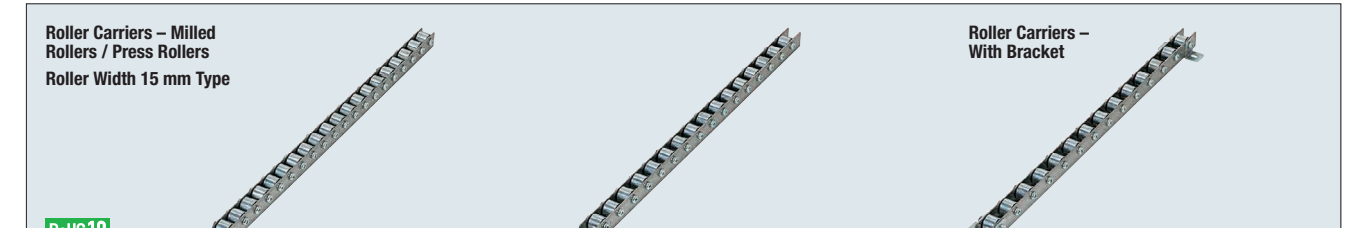
Part Number: CROS25, CRONU30, CROP10, CROSUR20

Part Number Alterations

Part Number: (BC, BS, CC)
 Alterations: BC, BS, CC
 Spec: 4 Mounting Brackets are included. Ordering Code: BC. Changes the chamfer dimension of frame square. Ordering Code: CC.

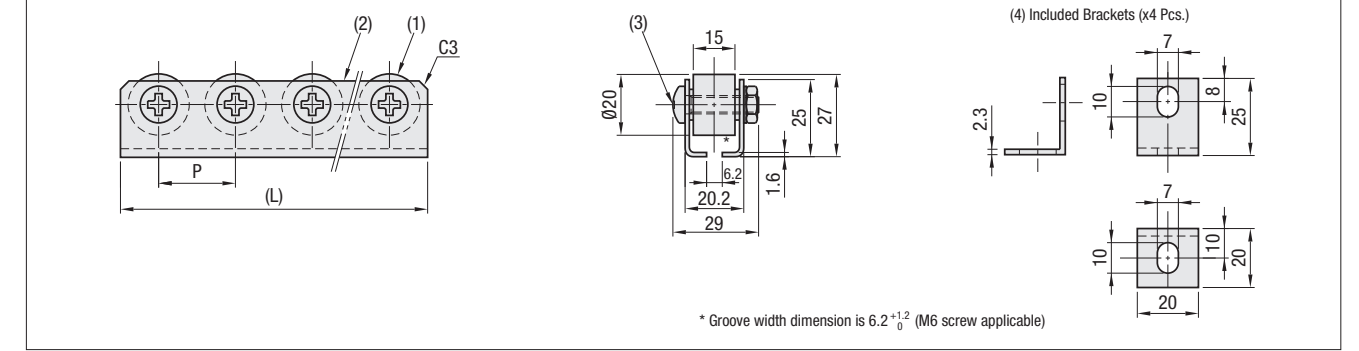
Roller Carriers (Milled Rollers / Press Rollers)

Roller Width 15 mm Type



Type	Roller Pitch			(1) Roller	Bearing	(2) Frame		(3) Screw / Nut		(4) Bracket			
	P=25	P=30	P=35			Material	Surface Treatment	Material	Surface Treatment	Material	Surface Treatment	Material	Surface Treatment
	CRONEY	CRONFY	CRONY										
No Bracket	CRONEYB	CRONFYB	CRONYB	Steel	Trivalent Chromate	Steel	Low Carbon Steel-P	Hot Dip Plating*	Steel	Trivalent Chromate	Steel	Trivalent Chromate	

*Hot Dip Plating (Fused Plating of Zinc, Aluminum, Magnesium)



Part Number		L		
Type	No. of Wheels	P=25	P=30	P=35
No Bracket CRONEY CRONFY CRONY	2	(48)	(58)	(68)
	3	(73)	(88)	(103)
	4	(98)	(118)	(138)
	5	(123)	(148)	(173)
	6	(148)	(178)	(208)
	7	(173)	(208)	(243)
	8	(198)	(238)	(278)
	9	(223)	(268)	(313)
	10	(248)	(298)	(348)
	11	(273)	(328)	(383)
	12	(298)	(358)	(418)
	13	(323)	(388)	(453)
	14	(348)	(418)	(488)
	15	(373)	(448)	(523)
	16	(398)	(478)	(558)
	17	(423)	(508)	(593)

Part Number		L		
Type	No. of Wheels	P=25	P=30	P=35
No Bracket CRONEY CRONFY CRONY	18	(448)	(538)	(628)
	19	(473)	(568)	(663)
	20	(498)	(598)	(698)
	21	(523)	(628)	(733)
	22	(548)	(658)	(768)
	23	(573)	(688)	(803)
	24	(598)	(718)	(838)
	25	(623)	(748)	(873)
	26	(648)	(778)	(908)
	27	(673)	(808)	(943)
	28	(698)	(838)	(978)
	29	(723)	(868)	(1013)
	30	(748)	(898)	(1048)
	31	(773)	(928)	(1083)
	32	(798)	(958)	(1118)
	33	(823)	(988)	(1153)

Ⓢ Loading weight is 30 kgf (294N) per wheel.

Method for Mounting Brackets

Remove nuts from two bracket joining locations, and use included brackets and screws to install.

Part Number Example

Part Number: CRONEY15