


# Silicon Rubber / Urethane Mold Bearings

## Crown Type



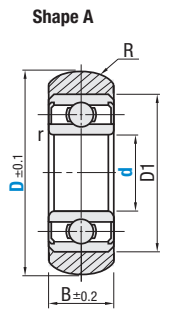
**Silicon Rubber / Urethane Mold Bearings - Crown Type**

RoHS 10

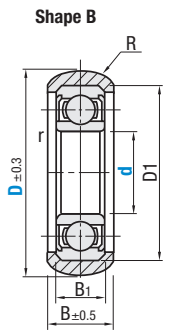
Type Bearing		Material	Hardness	Color
52100 Bearing Steel	440C Stainless Steel			
UMBBR	UMSBR	Urethane	Shore A90	Black
UMBWR	UMSWR			White
SUMBBR	—	Silicon Rubber	Shore A70	Light Gray

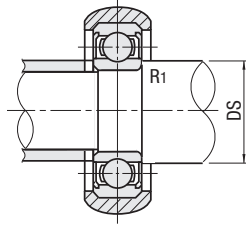
  

**Shape A**



**Shape B**





Bearing Accuracy JISB1514 Class 0  
ⓘ For detailed bearing dimensions, please see P.1018-1019, 1028-1029.

### Shape A

Part Number	Type	d	D	Allowable Load N(kgf)		B	D <sub>1</sub>	r (min.)	R	Relative Dimension			Bearing
				Urethane Shore A90	Silicon Shore A70					Ds (min.)	Ds (max.)	R <sub>1</sub> (max.)	
Urethane UMBBR *UMSBR UMBWR *UMSWR	*4	3	12	34 (3.5)	9.8 (1)	3	7	0.1	5	3.9	4.1	0.1	W683ZZA
		13	44 (4.5)	13 (1.3)	4	9	0.15	5		5.2	5.2	0.1	W684AX50ZZ
	16	59 (6)	18 (1.8)	5	13	0.2	6.6	6.9		0.2	624ZZ		
	20	78 (8)	24 (2.4)		7	7.6	0.3	625ZZ					
Silicon Rubber SUMBBR	*6	20	28	157 (16)	47 (4.8)	6	19	0.3	7.6	7.8	0.2	696ZZ	
		28	176 (18)	7		22	10		12.2	0.3	608ZZ		

ⓘ Only d4-8 are available for \* marked types. ⓘ Allowable load is for reference.

### Shape B

Part Number	Type	d	D	Allowable Load N(kgf)		B	D <sub>1</sub>	B <sub>1</sub>	r (min.)	R	Relative Dimension			Bearing		
				Urethane Shore A90	Silicon Shore A70						Ds (min.)	Ds (max.)	R <sub>1</sub> (max.)			
Urethane UMBBR UMSBR UMBWR UMSWR	8	8	30	176 (18)	53 (5.4)	11	22	7	0.3	15	10	12.2	0.3	608ZZ		
		10	30				26	8			12	13.5		6000ZZ		
	15	40	274 (18)	82 (8.4)	12	32	9	0.3	14		16	0.6	6200ZZ			
		45	343 (35)	103 (10.5)	15	35	11	0.6	17		19	0.3	6002ZZ			
Silicon Rubber SUMBBR	20	45	490 (50)	147 (15)	12	37	9	0.3	19	20	0.6	6202ZZ				
		55	490 (50)	147 (15)	18	47	14	1	22	24	0.3	6904ZZ				
	25	65	750 (70)	226 (23)	19	52	15		25	28	1	6204ZZ				
													30	32	1	6205ZZ

ⓘ Allowable load is for reference.

# Silicon Rubber / Urethane Mold Bearings

## Crown Type, continued

Part Number Example: Part Number - D  
 UMBBR25 - 65

d	D	Available Types		
		Steel Bearing		Stainless Steel Bearing
		Urethane (Shore A90)	Silicon Rubber (Shore A70)	Urethane (Shore A90)
		UMBBR UMBWR	SUMBBR	UMSBR UMSWR
3	12	•	•	—
4	13			•
	16			
5	16	•	•	•
	20			
6	20			
	28	•	•	•
8	28			
	30	•	•	•
10	30	•	•	—
	40	•	•	—
15	40	•	•	—
	45	•	•	—
20	45	•	•	—
	55	•	•	—
25	65	•	•	—

### Application Example

