


Urethane Cam Followers

Standard Slot Type

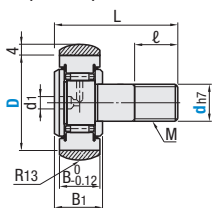
Features: Urethane is baked on the outer rings of the cam followers.



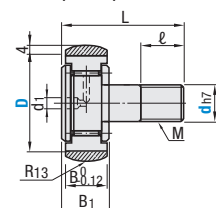
Type		Material		Accessories
With Seal	No Seal	Urethane	Cam Followers	
CFRRZ	CFRR	Shore A90	52100 Bearing Steel	1 Hex Nut (1045 Carbon Steel or Equivalent Carbon Steel, Black Oxide)
CFRRZS	CFRRS		440C Stainless Steel or Equivalent	1 Hex Nut (304 Stainless Steel)

ⓘ Operating Temp.: 80°C or lower
 ⓘ Grease hole is provided on the head only.

(With Seal)




(No Seal)



Part Number		D Selectable	MxPitch	B	B ₁	L	d ₁	L ₁	Max. Allowable Load (N)	Allowable Rotational Speed (rpm)	Mass (g)	Available Types				
Type	d ₁₇ Tolerance											CFRRZ	CFRRZS	CFRR	CFRRS	
(With Seal)	5	0	13	5x0.8	9	10	23	3.1	7.5	68	1500	13	•	•	•	•
CFRRZ	6	-0.012	16	6x1.0	11	12	28	4	9	90	1300	22	•	•	•	•
CFRRZS	8	0	19	8x1.25	11	12	32	4	11	96	1180	33	•	•	•	•
(No Seal)	10	-0.015	22	10x1.25	12	13	36	4	13	110	1060	50	•	•	•	•
CFRR			26	10x1.25	12	13	36	4	13	118	930	66	•	•	•	•
CFRRS													•	•	•	•

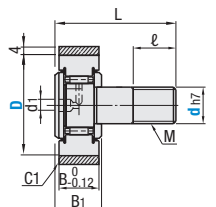
ⓘ The parts with option of d12-16 have been changed to a new part type. For the new part number, P.1081.



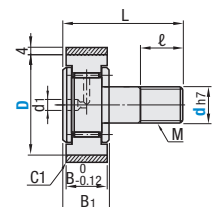
Type		Material		Accessories
With Seal	No Seal	Urethane	Cam Followers	
CFFRUZ	CFFRU	Shore A90	52100 Bearing Steel	1 Hex Nut (1045 Carbon Steel or Equivalent Carbon Steel, Black Oxide)
CFFRUZS	—		440C Stainless Steel or Equivalent	1 Hex Nut (304 Stainless Steel)

ⓘ Operating Temp.: 80°C or lower
 ⓘ Grease hole is provided on the head only.

(With Seal)



(No Seal)



Part Number		D Selectable	MxPitch	B	B ₁	L	d ₁	L ₁	Max. Allowable Load (N)	Allowable Rotational Speed (rpm)	Mass (g)	Available Types			
Type	d ₁₇ Tolerance											CFFRUZ	CFFRUZS	CFFRU	
(With Seal)	5	0	13	5x0.8	9	10	23	3.1	7.5	68	1500	13	•	•	•
CFFRUZ	6	-0.012	16	6x1.0	11	12	28	4	9	90	1300	22	•	•	•
CFFRUZS	8	0	19	8x1.25	11	12	32	4	11	96	1180	33	•	•	•
(No Seal)	10	-0.015	22	10x1.25	12	13	36	4	13	110	1060	50	•	•	•
CFFRU			26	10x1.25	12	13	36	4	13	118	930	66	•	•	•

ⓘ The parts with option of d12-16 have been changed to a new part type. For the new part number, P.1081.

Part Number Example: **CFFRUZ10 - 22**

Material Properties


Item	Urethane	MC Nylon
Allowable Load	Acceptable	Good
Abrasion Resistance	Good	Acceptable
Mechanical Strength	Good	Excellent
Heat Resistance	Poor	Acceptable
Chemical Resistance	Poor	Good

ⓘ For MC Nylon, P.1078.

Urethane Cam Followers

Hexagon Socket Type

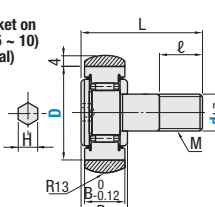
Features: Urethane is baked on the outer rings of the cam followers.




Type				Material		Accessories
Hex Socket on Head (d5 ~ 10)		Hex Socket on Head and Shank (d12 ~ 16)		Urethane	Cam Followers	
With Seal	No Seal	With Seal	No Seal			
CFRRA	CFRRU	CFRAH	CFRTH	Shore A90	52100 Bearing Steel	1 Hex Nut (1045 Carbon Steel or Equivalent Carbon Steel, Black Oxide)
CFRRAS	—	CFRSH	CFRTSH		440C Stainless Steel or Equivalent	1 Hex Nut (304 Stainless Steel)
—	—	—	—	Shore A50	52100 Bearing Steel	1 Hex Nut (1045 Carbon Steel or Equivalent Carbon Steel, Black Oxide)

ⓘ Operating Temp.: 80°C or lower ⓘ For d10 and smaller sizes, no grease replenishing hole is provided.

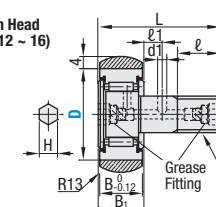
Hex Socket on Head (d5 ~ 10) (With Seal)




(No Seal)



Hex Socket on Head and Shank (d12 ~ 16) (With Seal)




(No Seal)



Part Number		D Selectable	MxPitch	B	B ₁	L	d ₁	L ₁	H	Allowable Load (N)	Allowable Rotational Speed (rpm)		Mass (g)	Available Types							
Type	d ₁₇ Tolerance										Shore A90	Shore A50		CFRRA	CFRRAS	CFRRU	CFRAH	CFRSH	CFRTH	CFRTSH	
(With Seal)	5	0	13	5x0.8	9	10	23	7.5	3	68	1500	250	13	•	•	•	•	•	•	•	•
CFRRA	6	-0.012	16	6x1.0	11	12	28	9	4	90	1300	220	22	•	•	•	•	•	•	•	•
CFRRAS	8	0	19	8x1.25	11	12	32	11	4	96	1180	190	33	•	•	•	•	•	•	•	•
(No Seal)	10	-0.015	22	10x1.25	12	13	36	13	5	110	1060	170	50	•	•	•	•	•	•	•	•
CFRRU			26	10x1.25	12	13	36	13	5	118	930	150	66	•	•	•	•	•	•	•	•
(With Seal)	12	0	30	12x1.5	14	15	40	3	14	147	830	140	103	—	—	—	•	•	•	•	•
CFRAH			32	12x1.5	14	15	40	3	14	151	800	130	113	—	—	—	•	•	•	•	•
CFRSH														—	—	—	•	•	•	•	•
(No Seal)	16	-0.018	35	16x1.5	18	19.5	52	18	8	202	740	120	181	—	—	—	•	•	•	•	•
CFRTH														—	—	—	•	•	•	•	•
CFRTSH														—	—	—	•	•	•	•	•

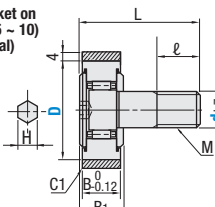
ⓘ The parts with option of d12-16 have been changed to a new part type.




Type				Material		Accessories
Hex Socket on Head (d5 ~ 10)		Hex Socket on Head and Shank (d12 ~ 16)		Urethane	Cam Followers	
With Seal	No Seal	With Seal	No Seal			
CFRUA	CFRRU	CFTAH	CFTH	Shore A90	52100 Bearing Steel	1 Hex Nut (1045 Carbon Steel or Equivalent Carbon Steel, Black Oxide)
CFRUAS	—	CFTSH	—		440C Stainless Steel or Equivalent	1 Hex Nut (304 Stainless Steel)
CFRUAG	—	CFTGH	—	Shore A50	52100 Bearing Steel	1 Hex Nut (1045 Carbon Steel or Equivalent Carbon Steel, Black Oxide)

ⓘ Operating Temp.: 80°C or lower ⓘ For d10 and smaller sizes, no grease replenishing hole is provided.

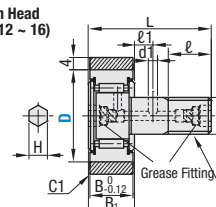
Hex Socket on Head (d5 ~ 10) (With Seal)



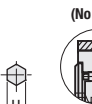
(No Seal)



Hex Socket on Head and Shank (d12 ~ 16) (With Seal)



(No Seal)



Part Number		D Selectable	MxPitch	B	B ₁	L	d ₁	d ₂	L ₁	H	Allowable Load (N)	Allowable Rotational Speed (rpm)		Mass (g)	Available Types							
Type	d ₁₇ Tolerance											Shore A90	Shore A50		CFRUA	CFRUAS	CFRUAG	CFRRU	CFTAH	CFTSH	CFTGH	CFTH
(With Seal)	5	0	13	5x0.8	9	10	23	—	7.5	3	68	1500	250	13	•	•	•	•	•	•	•	
CFRUA	6	-0.012	16	6x1.0	11	12	28	—	9	4	90	1300	220	22	•	•	•	•	•	•	•	
CFRUAS	8	0	19	8x1.25	11	12	32	—	11	4	96	1180	190	33	•	•	•	•	•	•	•	
(No Seal)	10	-0.015	22	10x1.25	12	13	36	—	13	5	110	1060	170	50	•	•	•	•	•	•	•	
CFRRU			26	10x1.25	12	13	36	—	13	5	118	930	150	66	•	•	•	•	•	•	•	
(With Seal)	12	0	30	12x1.5	14	15	40	6	3	14	147	830	140	103	—	—	—	•	•	•	•	
CFTAH			32	12x1.5	14	15	40	6	3	14	151	800	130	113	—	—	—	•	•	•	•	
CFTSH															—	—	—	•	•	•	•	
(No Seal)	16	-0.018	35	16x1.5	18	19.5	52	—	18	8	202	740	120	181	—	—	—	•	•	•	•	
CFRTH															—	—	—	•	•	•	•	
CFRTSH															—	—	—	•	•	•	•	

ⓘ The parts with option of d12-16 have been changed to a new part type.

Part Number Example: **CFRAH12 - 30**

Part Number Substitution Table for Cam Follower Standard Changes (d12, 16)

Type	Old Part Number (d12, 16)		New Part Number (d12, 16)	
	Old Standard	Old Hex Socket	Hex Socket on Head and Shank	Hex Socket on Head and Shank
Urethane	CFRRZ	CFRRA	CFRAH	CFRTH
	CFRRZS	CFRRAS	CFRSH	CFRTH
	CFRR	CFRRU	CFRSH	CFRTH
	CFRRS	—	CFRSH	CFRTH
	CFRRZS	CFRRU	CFRSH	CFRTH
	CFRRZS	CFRRU	CFRSH	CFRTH
	CFRRZS	CFRRU	CFRSH	CFRTH
	CFRRZS	CFRRU	CFRSH	CFRTH
	CFRRZS	CFRRU	CFRSH	CFRTH
	CFRRZS	CFRRU	CFRSH	CFRTH