


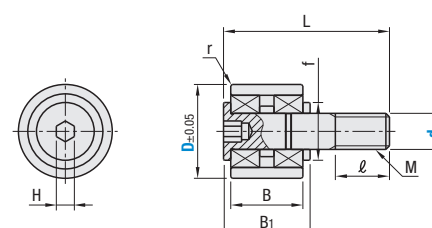
Guide Followers

Features: Ball bearing-combined products used for transfers and guiding.



RoHS 10

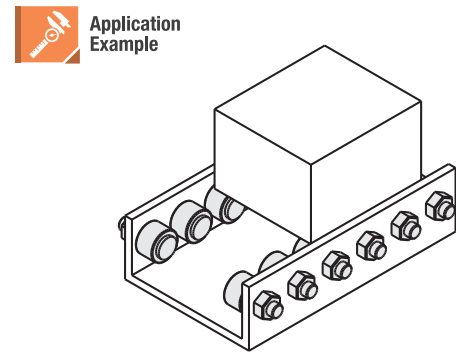
Type	Material		Accessories
	External Parts	Internal Parts (Bearing)	
GFR	420 Stainless Steel	52100 Bearing Steel	Hex Nut 1 pc. (304 Stainless Steel)




kgf=Nx0.101972

Part Number		D	M x Pitch	I	B	B ₁	L	H	r	f (Min.)	Basic Load Rating		Allowable Rotational Speed (rpm)
Type	d Tolerance										Cr (Dynamic) N	Cor (Static) N	
GFR	3	10	3 x 0.5	5	8.5	9.5	17	1.5	0.2	6.8	840	268	52000
	4	12	4 x 0.7	6	9	11	20	2	0.4	7.8	1065	405	38000
	5	13	5 x 0.8	7.5	10	12	23	2.5	0.2	10.8	1072	414	36000
	6	16	6 x 1.0	9	12	14	28	3	0.2	13.8	1620	660	30000
	8	19	8 x 1.25	11	16	16	32	4	0.2	13.8	2415	1065	24000

Part Number Example: **GFR6**



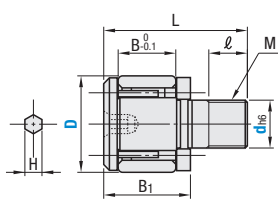
Miniature Cam Followers



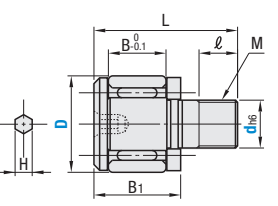
RoHS 10

Application	Type	Material	Accessories
General (Steel)	CFFAN	52100 Bearing Steel (Stud: SCM415 Alloy Steel (JIS))	1 Hex Nut (1045 Carbon Steel or Equivalent, Black Oxide)
General	CFFAM	440C Stainless Steel or Equivalent	Hex Nut 1 pc. (304 Stainless Steel)
Low Particle Generation	CFFAMC		
Heavy Load	CFFANG	52100 Bearing Steel (Stud: SCM415 Alloy Steel (JIS))	1 Hex Nut (1045 Carbon Steel or Equivalent, Black Oxide)
	CFFAMG	440C Stainless Steel or Equivalent	Hex Nut 1 pc. (304 Stainless Steel)

Standard, Low Particle Generation



Heavy Load ⊕ Full roller for heavy load.



Note: Thread diameter of Miniature Cam Follower is small. To prevent damage, use torque wrench and secure within the maximum tightening torque. (Please note that the maximum tightening torque for a miniature cam follower is about one-fourth of that of the conventional equivalents.)

Operating Temperature: 80°C or less

Standard, Low Particle Generation

kgf=Nx0.101972

Type	d _{h6} Tolerance	D Selection	M x Pitch	I	B	B ₁	L	H		Basic Load Rating				MAX Allowable Load (N)	Track Load Capacity (N)	Max. Rotational Speed (rpm)	Mass (g)	Tightening Torque (N-cm) (Max.)	
								Steel	Stainless Steel	Cr (Dynamic) N		Cor (Static) N							
CFFAN General / Steel	2.5	0	5	2.5 x 0.45	2.5	3	4.5	9.5	0.9	0.9	410	350	335	285	285	285	3360	1	16
CFFAM General	3	-0.006	6	3 x 0.5	3	4	5.5	11.5	1.5	1.3	630	565	610	525	525	470	2800	2	28
CFFAMC General	4	0	8	4 x 0.7	4	5	7	15	2	1.5	1080	915	1080	915	915	795	2100	4	64
CFFAMC Low Particle Generation	5	-0.008	10	5 x 0.8	5	6	8	18	2.5	2	1570	1340	1860	1400	1400	1210	1680	7	125
	6	0	12	6 x 1.0	6	7	9.5	21.5	3	2.5	2060	1880	2160	2040	2040	1700	1400	13	226

Heavy Load (Full Rollers)

kgf=Nx0.101972

Type	d _{h6} Tolerance	D Selection	M x Pitch	I	B	B ₁	L	H		Basic Dynamic Load Rating				Max. Allowable Load (N)		Track Load Capacity (N)		Max. Rotational Speed (rpm)	Mass (g)	Tightening Torque (N-cm) (Max.)	
								Steel	Stainless Steel	Cr (Dynamic) N		Cor (Static) N		Steel	Stainless Steel	Steel	Stainless Steel				
CFFANG CFFAMG Heavy Load	2.5	0	5	2.5 x 0.45	2.5	3	4.5	9.5	0.9	0.9	1000	665	1080	410	260	410	300	285	2000	1	16
	3	-0.006	6	3 x 0.5	3	4	5.5	11.5	1.5	1.3	1370	1020	1770	590	360	590	480	470	1680	2	28
	4	0	8	4 x 0.7	4	5	7	15	2	1.5	2350	1680	3040	1050	780	1050	770	795	1260	4	64
	5	-0.008	10	5 x 0.8	5	6	8	18	2.5	2	3140	2520	4710	1640	1420	1640	1180	1210	1000	7	125
	6	0	12	6 x 1.0	6	7	9.5	21.5	3	2.5	4610	3400	6270	2360	2110	2360	1540	1700	840	13	226

Part Number Example: **CFFAM2.5 - 5**

Note: Thread diameter of Miniature Cam Follower is small. To prevent damage, use a torque wrench to secure within the maximum tightening torque. *Please note that the maximum tightening torque for a miniature cam follower is about one-fourth of that of the conventional equivalents.