


Cam Followers

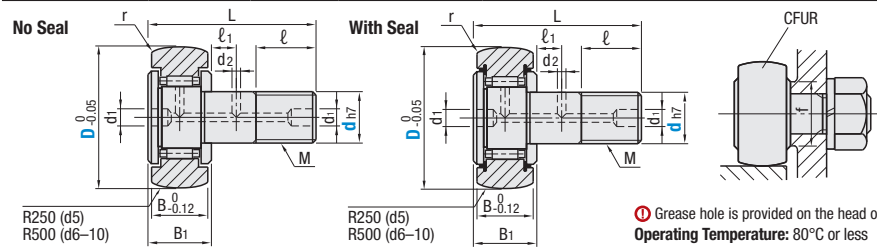
Standard



Cam Followers – Standard, Crown

RoHS10

Application	Type		Material	Accessories
	With Seal	No Seal		
General	CFUR CFURS CFURC	CFU CFUS	52100 Bearing Steel 440C Stainless Steel Equivalent	1 Hex Nut (1045 Carbon Steel or Equivalent Carbon Steel, Black Oxide) 1 Hex Nut (304 Stainless Steel)




No Seal **With Seal** **CFUR**

R250 (d5)
R500 (d6-10)

Operating Temperature: 80°C or less

Type	Part Number	D (Selectable)	M x Pitch	B	B ₁	L	d ₁	l	r	f (Min.)
With Seal CFUR CFURS CFURC	5	13	5 x 0.8	9	10	23	3.1	7.5	0.5	9.7
	6	16	6 x 1.0	11	12	28	4	9		11
	8	19	8 x 1.25			32		11		13
No Seal CFU CFUS	10	22	10 x 1.25	12	13	36		4	13	1

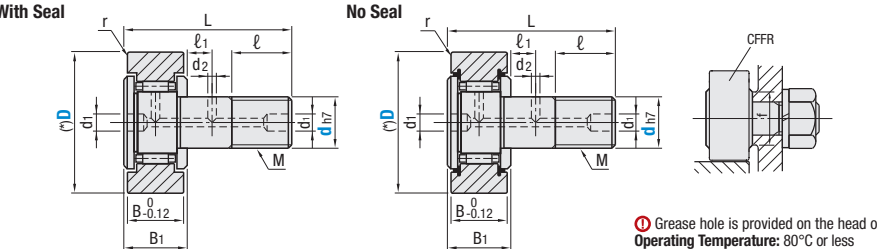
ⓘ The parts with option of d12-20 have been changed to a new part type. For the new part number, see P.1071. ⓘ For the performance of Cam Followers, see Table 1 on P.1071.



Cam Followers – Standard, Flat

RoHS10

Application	Type		Material	Accessories	D	Tolerance
	With Seal	No Seal				
General	CFFR CFFRS CFFRC	CFR CFRS	52100 Bearing Steel 440C Stainless Steel Equivalent	1 Hex Nut (1045 Carbon Steel or Equivalent Carbon Steel, Black Oxide) 1 Hex Nut (304 Stainless Steel)	13, 16 19-26	0 -0.008 0 -0.009



With Seal **No Seal** **CFFR**

R250 (d5)
R500 (d6-10)

Operating Temperature: 80°C or less

Type	Part Number	D (Selectable)	M x Pitch	B	B ₁	L	d ₁	l	r	f (Min.)
With Seal CFFR CFFRS CFFRC	5	13	5 x 0.8	9	10	23	3.1	7.5	0.5	9.7
	6	16	6 x 1.0	11	12	28	4	9		11
	8	19	8 x 1.25			32		11		13
No Seal CFR CFRS	10	22	10 x 1.25	12	13	36		4	13	1

ⓘ The parts with option of d12-20 have been changed to a new part type. For the new part number, see P.1071. ⓘ For the performance of Cam Followers, see Table 1 on P.1071.

Cam Followers

Standard, continued

Table 1: Reference Data of Cam Followers

kgf=Nx0.101972

d-D	Standard						Heavy Load								
	Basic Dynamic Load Rating C (kN)	Basic Static Load Rating Cor (kN)	Max. Allowable Load (kN)	Track Load Capacity (kN)		Maximum Rotational Speed (rpm)	Mass(g)	Basic Dynamic Load Rating C (kN)	Basic Static Load Rating Cor (kN)	Maximum Allowable Load (kN)	Track Load Capacity (kN)		Maximum Rotational Speed with Seal (rpm)	Mass(g)	
				Crown	Flat						Crown	Flat			
3-10	1.47	1.18	0.36	0.37	1.37	32900	47000	4.5	—	—	—	—	—	—	
4-12	2.06	2.05	0.78	0.47	1.76	25900	37000	7.5	—	—	—	—	—	—	
5-13	3.14	2.77	1.42	0.53	2.25	20300	29000	10.5	—	—	—	—	—	—	
6-16	3.59	3.58	2.11	1.08	3.43	17500	25000	18.5	6.94	8.5	2.11	1.08	3.43	7700	19
8-19	4.17	4.65	4.73	1.37	4.02	14000	20000	28.5	8.13	11.2	4.73	1.37	4.02	6090	29
10-22	5.33	6.78	5.81	1.67	4.70	11900	17000	45	9.42	14.3	5.81	1.67	4.7	5040	46
10-26				2.06	5.49			60			5.81	2.06	5.49		61
12-30				2.45	7.06			105			9.37	2.45	7.06		107
12-32	7.87	9.79	9.37	2.74	7.45	9800	14000	115	13.4	19.8	9.37	2.74	7.45	4060	117
16-35				3.14	11.2			7000			10000	205	20.6		37.6
18-40	14.7	25.2	26.1	3.72	14.4	5950	8500	295	25.2	51.3	26.1	3.72	14.4	2660	300
20-47	20.7	34.8	32.1	7.15	21	4900	7000	450	33.2	64.8	32.1	7.15	21	2380	455
20-52				8.23	23.2			525				8.23	23.2		530
24-62	30.6	53.2	49.5	10.5	34.2	4550	6500	915	46.7	92.9	49.5	10.5	34.2	2030	925
24-72				12.9	39.8			1150				12.9	39.8		1160
30-80	45.4	87.6	73.7	14.9	52.6	3500	5000	1880	67.6	145	73.7	14.9	52.6	1610	1890
30-85				16.1	56			1950				16.1	56		1960
30-90				17.3	59.3			2000				17.3	59.3		2010

Part Number Example

Part Number	-	h
CFUR10	-	22
CFFRC10	-	26

Part Number Substitution Table for Cam Follower Standard Changes (d12 and above only)

Type	Old Part Number (d12 or more)			New Part Number
	Old Standard	Old Hex Socket Type	Old Hex Socket on Thread	
Cam Followers	CFUR	CFUA	CFUB	CFUH
	CFURS	CFUAS	—	CFUSH
	CFURC	CFUAC	—	CFUCH
	—	CFUAG	—	CFUGH
	CFU	CUA	—	CUH
	CFUS	CUAS	—	CUSH
	CFFR	CFFA	CFFB	CFFH
	CFFRS	CFFAS	—	CFFSH
	CFFRC	CFFAC	—	CFFCH
	—	CFFAG	—	CFFGH
	CFR	CFA	—	CAH
	CFRS	CFAS	—	CFASH