


Pillow Blocks / Shaft End Caps

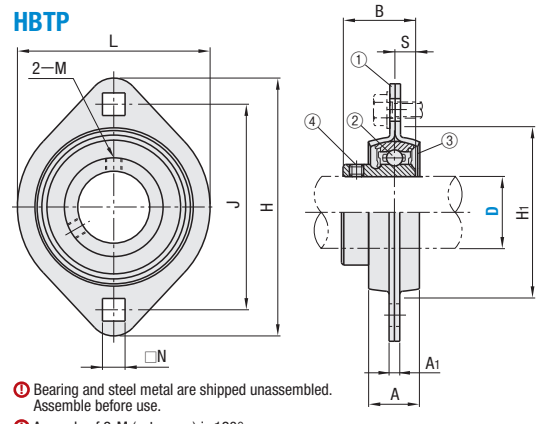
Sheet Metal Housing, Flanged

Features: Inexpensive Ball Bearing Units with pressed sheet metal housing.



Pillow Blocks – Sheet Metal Housing, Flanged

RoHS10



HBTP

① Bearing and steel metal are shipped unassembled. Assemble before use.
② An angle of 2-M (set screw) is 120°.

Accuracy: JIS B 1558
JIS B 1514
JIS B 1559

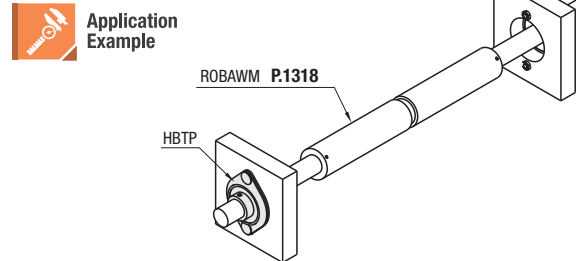
Operating Temperature: -15~+100°C


Components	Material	Surface Treatment
(1) Housing	Low Carbon Steel	Black Oxide
(2) Bearing	52100 Bearing Steel	—
(3) Rubber Seal	Nitrile Rubber (NBR Nitrile Rubber)	—
(4) Set Screw	4137 Alloy Steel or Equivalent	—

kgf=Nx0.101972

Part Number	Type	D	L	H	A	J	N	A ₁	H ₁ Min.	B	S	Mounting Screws Nominal	Allowable Load (N)		Bearing Basic Load Ratings (N)		Set Screw			Mass (g)																																				
													Radial	Axial	Cr (Dynamic)	Co (Static)	M	Tightening Torque (N-cm)	Axial Load Capacity (N)																																					
12	HBTP	59	81	14	63.5	7	4	49	22	6	M6	2650	640	9550	4800	M5 x 0.8	240	478	250																																					
15																				63.5	9	56	24.7	7	M8	3100	740	12800	6600	490	1280	290																								
20																				67													11	60	27	7.5	M8	3530	900	14000	7900	490	1400	360												
25																				71																									5.2	71	30.3	8	M10	4900	1220	19600	11300	490	1960	560
30																				84																																				

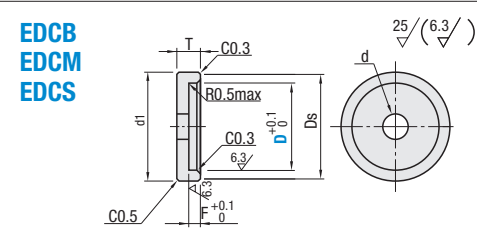
Part Number Example: **HBTP12**





Shaft End Caps

RoHS10

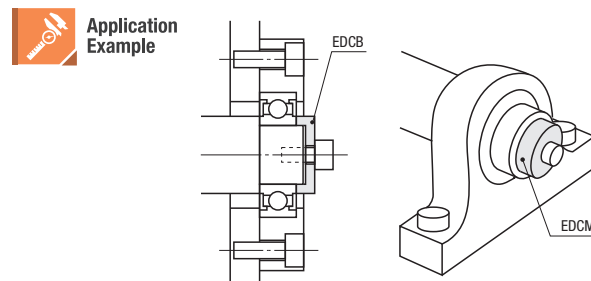


**EDCB
EDCM
EDCS**

Type	Material	Surface Treatment
EDCB	1045 Carbon Steel or Equivalent	Black Oxide
EDCM	1045 Carbon Steel or Equivalent	Electroless Nickel Plating
EDCS	304 Stainless Steel or Equivalent	—

Part Number	Type	D	D ₁	D _s	T	F	d
10	EDCB EDCM EDCS	14	13.4	5	2	3	4.5
12		16	15.4				5.5
15		19	18.4	7	3	6.6	
17		21	20.4				
20		26	25.4				
25		31	30.4	8	4	9	
30		37	36.4				
35		42	41.4	10	4	11	
40		47	46.4				14


Part Number Example: **EDCB20**



Pillow Blocks

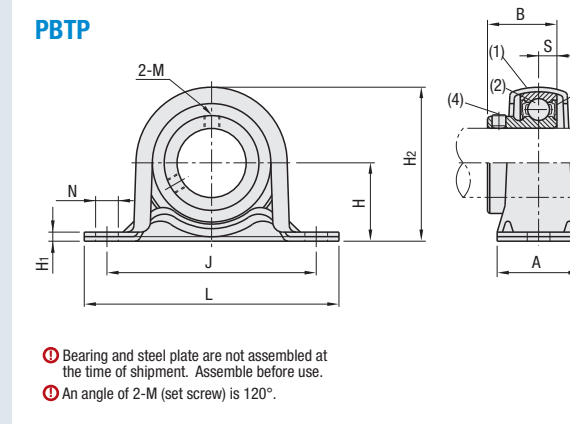
Sheet Metal Housing, Standard

Features: Inexpensive Pillow Block Ball Bearing Units with sheet metal housing.



Pillow Blocks – Sheet Metal Housing, Standard

RoHS10



PBTP

① Bearing and steel plate are not assembled at the time of shipment. Assemble before use.
② An angle of 2-M (set screw) is 120°.

Accuracy: JIS B 1558
JIS B 1514
JIS B 1559

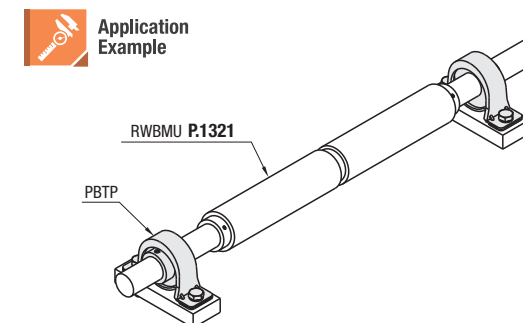
Operating Temperature: -15~+100°C

Components	Material	Surface Treatment
(1) Housing	Low Carbon Steel	Black Oxide
(2) Bearing	52100 Bearing Steel	—
(3) Rubber Seal	Nitrile Rubber (NBR Nitrile Rubber)	—
(4) Set Screw	4137 Alloy Steel or Equivalent	—

kgf=Nx0.101972

Part Number	Type	D	L	H	A	J	N	H ₁	H ₂	B	S	Mounting Screws Nominal	Allowable Load (N)		Bearing Basic Load Ratings (N)		Set Screw			Mass (g)					
													Radial	Axial	Cr (Dynamic)	Co (Static)	M	Tightening Torque (N-cm)	Axial Load Capacity (N)						
12	PBTP	86	22.2	25	68	9.5	3.2	44	22	6	M8	2150	830	9550	4800	M5 x 0.8	240	478	160						
15																				150					
20																				1030	12800	6600	250	1280	210
25																				1470	14000	7900	490	1400	290
30																				1670	19600	11300	490	1960	420

Part Number Example: **PBTP12**



Mounting Steps

1. Insert the shaft into the bearing and locate it to the predetermined position.
2. Install sheet metal housings (2 sheet metal) and secure them with screws. (The bearing is fixed after the assembly)
3. Align the shaft and secure with set screw.

