

Pillow Blocks (Economy Type)

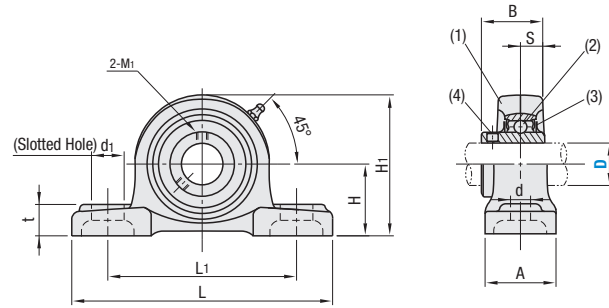
Cast Housing

Features: Economical Ball Bearing Units.

Pillow Blocks (Economy Type) – Cast Housing



CPDR
Pillow Type



Accuracy: JIS B 1558
JIS B 1514
JIS B 1559

Bearing inner diameter tolerance is J7*

Operating Temperature: -15 – +100°C

*J7 Tolerance with standard tolerance shaft creates transition fit.

Make adjustments after mounting a shaft due to tighter fit.

Components	Material
(1) Housing	Cast Iron Class No. 30 Equivalent
(2) Bearing	52100 Bearing Steel Equivalent
(3) Rubber Seal	Nitrile Rubber (NBR Nitrile Rubber)
(4) Set Screw	4137 Alloy Steel or Equivalent

kgf=Nx0.101972

Part Number	Type	D	H	L	L ₁	A	d ₁	d	t	H ₁	B	S	Basic Load Rating (kN)		Set Screw			Mass (g)			
													Cr (Dynamic)	Cor (Static)	M ₁	Tightening Torque (N-cm)	Axial Load Capacity (N)				
CPDR	15	30.2	127	95	38	19	13	15	62	31	12.7	12.8	6.6	M6 x 1	490	6840	630				
	20	33.3																65	630		
	25	36.5	140	105	16	70	34	14.3	14.0	7.9	790										
	30	42.9	165	121	48	21	17	18	83	38.1	15.9	19.5	11.3					M8 x 1	800	13500	1600
	35	47.6	167	127																	
	40	49.2	184	137	54	25	19	100	49.2	19	29.5	18.1	2000								

Part Number Example **CPDR20**

Pillow Blocks (Economy Type)

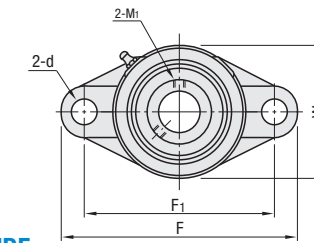
Cast Housings, Flanged

Features: Economical Ball Bearing Units.

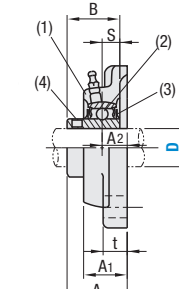
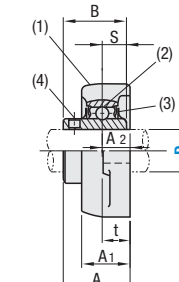
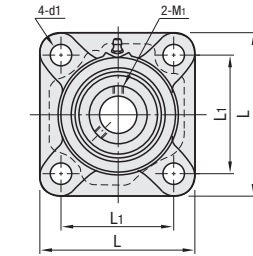
Pillow Blocks (Economy Type) – Cast Housings, Flanged



CHDH
Diamond Shape Flanged



CHDF
Square Flanged Type



Accuracy: JIS B 1558
JIS B 1514
JIS B 1559

Bearing Inner Diameter Tolerance is J7*

Operating Temperature: -15 – +100°C

*J7 Tolerance with standard tolerance shaft creates transition fit.

Make adjustments after mounting a shaft due to tighter fit.

Components	Material
(1) Housing	Cast Iron Class No. 30 Equivalent
(2) Bearing	52100 Bearing Steel Equivalent
(3) Rubber Seal	Nitrile Rubber (NBR Nitrile Rubber)
(4) Set Screw	4137 Alloy Steel or Equivalent

kgf=Nx0.101972

Part Number	Type	D	F	F ₁	W	L	L ₁	t	A	A ₁	A ₂	d	d ₁	B	S	Basic Load Rating (kN)		Set Screw			Mass (g)									
																Cr (Dynamic)	Cor (Static)	M ₁	Tightening Torque (N-cm)	Axial Load Capacity (N)	CHDH	CHDF								
CHDH CHDF	20	113	90	60	86	64	12	33.3	25.5	15	12	12	31	12.7	12.8	6.6	M6 x 1	490	1360	490	630									
	25	130	99	68	95	70	14	35.7	27	16	38.1											15.9	19.5	11.3	490	1360	630	820		
	30	148	117	80	108	83	16	40.2	31	18	14											42.9	17.5	25.7	15.3	490	1360	940	1100	
	35	161	130	90	117	92	16	44.4	34	19	16	14	49.2	19	29.5	18.1						M8 x 1	800	2980	1200	1500				
	40	175	144	100	130	102	16	51.2	36	21																	800	2980	1600	1900

Part Number Example **CHDH25**
CHDF35