


Deep Groove Ball Bearings

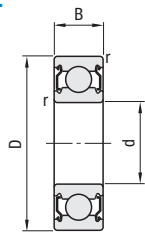
Double Shielded, Stainless Steel

Deep Groove Ball Bearings – Double Shielded, Stainless Steel

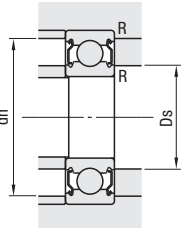


RoHS 10

SB6 _ _ ZZ



Installation Diagram



Material: 440C Stainless Steel or Equivalent
Bearing Accuracy JIS B 1514 Class 0

Part Number	d	D	B	r (min)	Basic Load Rating		Allowable Rotational Speed (Reference) rpm	Relative Dimensions			Mass (g) (Reference)		
					Cr (Dynamic) kN	Cor (Static) kN		Ds		dh (max.)		R (max.)	
SB6700ZZ	10	15	4	0.2	0.68	0.34	15000	10.4	11.21	14.2	0.2	2	
SB6800ZZ		19	5	0.3	1.46	0.67	34000	12	12.5	17	0.3	5	
SB6900ZZ		22	6		2.29	1.02	32000		13	20		9	
SB6000ZZ		26	8	3.87	1.58	30000	12	13.5	24	19			
SB6200ZZ		30	9	4.35	1.91	24000	14	16	26	32			
SB6300ZZ		35	11	6.87	2.75	21000	14	16.5	31	52			
SB6701ZZ	12	18	4	0.2	0.73	0.42	13000	12.4	13.86	16.7	0.2	3	
SB6801ZZ		21	5	0.3	1.63	0.83	32000	14	14.5	19	0.3	6	
SB6901ZZ		24	6		2.45	1.18	30000		15	22		11	
SB6001ZZ		28	8	4.35	1.91	27000	14	16	26	21			
SB6201ZZ		32	10	5.78	2.44	22000	16	17	28	37			
SB6301ZZ		37	12	8.24	3.36	19000	17	18	32	60			
SB6702ZZ	15	21	4	0.2	0.74	0.46	11000	15.4	16.86	19.7	0.2	4	
SB6802ZZ		24	5	0.3	1.76	1.00	27000	17	17.5	22	0.3	7	
SB6902ZZ		28	7		3.67	1.81	26000		26	16		16	
SB6002ZZ		32	9	4.76	2.27	23000	17	19	30	30			
SB6202ZZ		35	11	6.50	2.96	19000	19	20	31	45			
SB6302ZZ		42	13	9.71	4.37	17000	20	22.5	37	83			
SB6703ZZ	17	23	4	0.2	0.85	0.52	9500	17.4	18.86	21.1	0.2	4	
SB6803ZZ		26	5	0.3	1.90	1.16	25000	19	19.5	24	0.3	8	
SB6903ZZ		30	7		3.90	2.05	23000		20	28		18	
SB6003ZZ		35	10	5.09	2.63	20000	19	21	33	39			
SB6203ZZ		40	12	8.13	3.85	17000	21	23	36	66			
SB6303ZZ		47	14	11.5	5.33	15000	22	25.5	42	113			
SB6704ZZ	20	27	4	0.2	1.12	0.57	8500	20.4	22.36	25.5	0.2	6	
SB6804ZZ		32	7	0.3	3.41	1.97	20000	22	22.5	30	0.3	19	
SB6904ZZ		37	9		5.42	2.95	19000		24	35		36	
SB6004ZZ		42	12	7.99	4.00	17000	24	26	38	69			
SB6204ZZ		47	14	10.88	5.28	14000	25	28	42	106			
SB6304ZZ		52	15	13.49	6.31	13000	26.5	28	45.5	145			
SB6705ZZ	25	37	7	0.3	3.66	2.35	18000	27	28	35	0.3	22	
SB6905ZZ		42	9		5.60	3.63	16000		29	40		42	
SB6005ZZ		47	12	8.59	4.68	15000	29	30.5	43	80			
SB6205ZZ		52	15	11.90	6.32	12000	30	32	47	128			
SB6305ZZ		62	17	17.49	9.06	11000	31.5	36	55.5	235			
SB6806ZZ		30	42	7	0.3	3.86	2.72	15000	32	33	40	0.3	26
SB6906ZZ	47		9	6.15		4.01	14000	34		45	48		
SB6006ZZ	55		13	11.20	6.64	12000	35	37	50	116			
SB6206ZZ	62		16	16.60	9.04	10000	35	39	57	199			
SB6306ZZ	72		19	22.63	12.08	9200	36.5	42.5	65.5	345			
SB6807ZZ	35		47	7	0.3	4.02	3.06	13000	37	38	45	0.3	29
SB6907ZZ		55	10	0.6	9.27	6.25	12000	39	40	51	0.6	74	
SB6007ZZ		62	14	1.0	13.56	8.25	11000	40	42	57	1.0	155	
SB6207ZZ		72	17	1.1	21.81	12.36	9000	41.5	45	65.5	1.0	288	
SB6808ZZ		40	52	7	0.3	4.18	3.34	12000	42	43	50	0.3	33
SB6908ZZ			62	12	0.6	11.63	7.97	11000	44	45	58	0.6	110
SB6008ZZ	68		15	1.0	14.25	9.22	9500	45	47	63	1.0	190	
SB6208ZZ	80		18	1.1	24.73	14.33	8200	46.5	51	73.5	1.0	366	
SB6809ZZ	45		58	7	0.3	5.20	4.30	11000	47	47.5	56	0.3	38
SB6909ZZ			68	12	0.6	11.98	8.66	9500	49	50	64	0.6	126
SB6009ZZ		75	16	1.0	15.15	9.6	8800	50	53.5	70	1.0	241	
SB6209ZZ		85	19	1.1	27.79	16.3	7500	51.5	55.5	78.5	1.0	420	
SB6810ZZ		50	65	7	0.3	5.61	4.80	9500	52	52.5	63	0.3	50
SB6910ZZ			72	12	0.6	12.35	9.35	9000	54	55	68	0.6	135
SB6010ZZ	80		16	1.0	18.50	14.10	8300	55.0	57.5	75.0	1.0	261	
SB6210ZZ	90		20	1.1	29.80	19.70	7000	56.5	60.0	83.5	1.0	454	

Part Number Example