

Angular Contact Bearings with Housings

Back-to-Back Combination + Deep Groove Ball Bearing

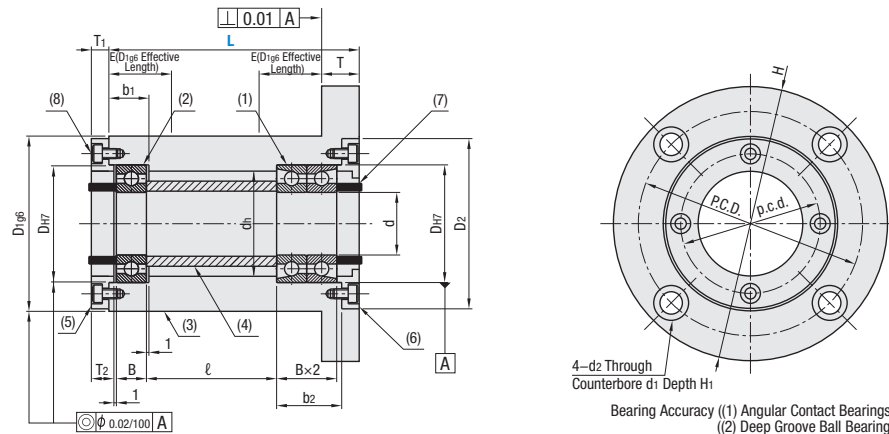
Angular Contact Bearings with Housings – Back-to-Back Combination + Deep Groove Ball Bearing



RoHS10

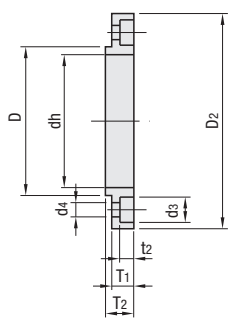
Type	(1) Angular Contact Bearings (Back-to-Back) (2) Deep Groove Ball Bearing	(3) Housings (4) Inner Ring Spacers (5) Standard Covers (6) Standard / Oil Seal / O-Ring Covers (7) Inner Ring Covers	(8) Cover Mounting Screws	
	Material	Material	Surface Treatment	Material
ABGCB	52100 Bearing Steel	1045 Carbon Steel or Equivalent	Black Oxide	4137 Alloy Steel or Equivalent
ABGC	52100 Bearing Steel	1045 Carbon Steel or Equivalent	Electroless Nickel Plating	304 Stainless Steel

- Ⓛ The Angular Contact Bearings with Housing is delivered with the parts unassembled to the holder body.
- Ⓛ Be sure that bearing outer race rings and inner rings are firmly fixed by the covers and bearing lock nuts before use. 1 mm axial clearance is designed on each side of the deep groove bearing outer ring where the inner ring can be tightened without adjusting the length of the inner ring spacer.
- Ⓛ A normal cover is included with Deep Groove Ball Bearing side (5) as a standard accessory. For Angular Contact Bearings (6), please select N Standard Covers, S Oil Seal Covers or R O-Ring Covers.
- Ⓛ Contact with O-Ring may generate some friction.



Bearing Accuracy (1) Angular Contact Bearings JIS B 1514 Class 4 * Contact Angle 15°
(2) Deep Groove Ball Bearing JIS B 1514 Class 0

(5) Standard Cover (Included)



(6) Selection

Standard Cover	Cover for Oil Seal	Cover for O-Ring
N	S	R

Accessories: Oil Seal (JIS G D Nitrile Rubber) Accessories: O-Ring (JIS P Nitrile Rubber)

Type	Bearing No.	(6) Cover Selection	(6) Cover Selection			Tolerance	B	b ₁	b ₂	Deep Groove Ball Bearing No.	H	D ₂	T	dh	E	D ₁₉₆	Tolerance	P.C.D.	d ₁	d ₂	H ₁
			L	d	D _{H7}																
ABGCB Black Oxide	7002	N Standard Cover	60	75	15	32	9	13	20	6002ZZ	75	48	12	28	18	50	-0.009	62	11	6.6	6.5
	7003		70	85	17	35	10	14	22	6003ZZ	92	58	15	31	22	60	-0.025	75	14	9	8.5
	7004		80	100	20	42	12	16	26	6004ZZ	120	78	18	41	27	80	-0.010	80	17.5	11	10.5
	7005		100	125	25	47	13	17	28	6005ZZ	140	92	20	48	30	95	-0.029	98	17.5	11	10.5
ABGC Electroless Nickel Plating	7006	S Oil Seal	120	150	30	55	14	18	30	6006ZZ	126	84	18	48	27	86	-0.012	106	17.5	11	10.5
	7007		140	175	35	62	15	19	32	6007ZZ	140	92	20	55	30	95	-0.034	116	17.5	11	10.5
	7008	R O-Ring	160	200	40	68	16	20	34	6008ZZ	145	98	20	60	30	100	-0.012	122	17.5	11	10.5
	7009		180	225	45	75	16	20	34	6009ZZ	145	98	20	69	30	100	-0.034	122	17.5	11	10.5
	7010		200	250	50	80	16	20	34	6010ZZ	147	101	20	74	30	105	-0.034	124	17.5	11	10.5

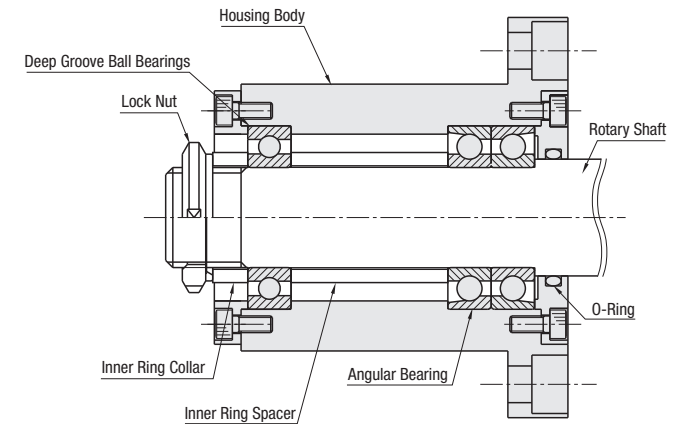
Angular Contact Bearings with Housings

Back-to-Back Combination + Deep Groove Ball Bearing, continued

No.	(5) (6) Cover Details									(6) Cover Details									(8) Cover Mounting Screws	
	D	D ₂	dh	T ₁	T ₂	P.C.D.	d ₃	d ₄	t ₂	N Standard Cover			S Oil Seal Covers			R O-Ring Covers				
										d ₅	S ₁	S ₂	St	Accessory Oil Seal	Ra	Rb	Rt	r		Accessory O-Ring
7002	32	48	28	6	8	40	6.5	3.5	3.1	21	32	22	5	G20325	24	20	3.2	0.4	P20	M3-8
7003	35	51	31	6	8	40	6.5	3.5	3.1	21	32	22	5	G20325	24	20	3.2	0.4	P20	M3-8
7004	42	58	36	7	9	48	8	4.5	4.1	26	35	27	6	D25356	31	25	4.7	0.7	P25	M4-10
7005	47	63	41	8	10	53	9.5	5.5	5.1	31	40	32	7	D30407	36	30	4.7	0.7	P30	M4-10
7006	55	78	48	8	10	64	9.5	5.5	5.1	41	50	42	6.5	D40506.5	41	35	4.7	0.7	P35	M5-12
7007	62	84	55	9	11	72	11	6.6	6.1	46	60	47	9	D45609	46	40	4.7	0.7	P40	M5-12
7008	68	92	60	9	11	78	11	6.6	6.1	51	65	52	9	D50659	51	45	4.7	0.7	P45	M6-12
7009	75	98	69	11	13	85	11	6.6	6.1	56	70	57	9	D55709	56	50	4.7	0.7	P50	M6-12
7010	80	101	74	11	13	88	11	6.6	6.1	61	75	62	9	D60759	61	60	4.7	0.7	P60	M6-15

No.	(7) Collar Details			(4) Inner Ring Spacer Details		
	Outer Diameter	Inner Diameter	Thickness	Outer Diameter	Inner Diameter	Thickness (l)
7002	20	15	8.5	20	15	L-38
7003	20	17	8.5	20	17	L-41
7004	25	20	9.5	25	20	L-48
7005	30	25	10.5	30	25	L-49
7006	40	30	10.5	40	30	L-52
7007	45	35	10.5	45	35	L-56
7008	50	40	11.5	50	40	L-59
7009	55	45	11.5	55	45	L-62
7010	60	50	13.5	60	50	L-64

Application Example



Part Number Example
 Type: ABGC Bearings: 7005 Cover: R L: 100
 Part Number: ABGC 7005 - R - 100