

Bearings with Housings

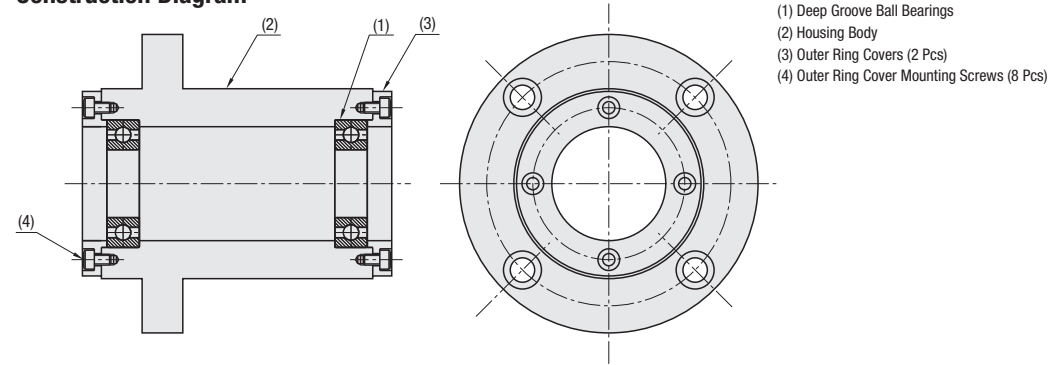
Outer Ring Fixed Guide

Bearings with Housings, Outer Ring Fixed

Features

Bearings with Housings Outer Ring Fixed have outer ring covers as standard features, which prevents the bearing outer rings from moving in thrust directions.

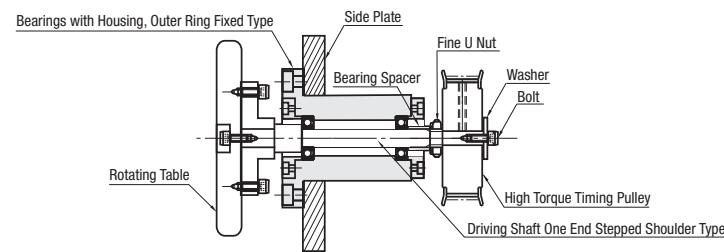
Construction Diagram



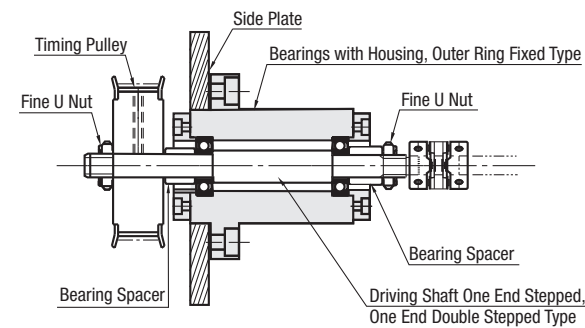
Usage

Suitable for relatively high-loading uses such as heavy load / high-speed applications.
 (When used to support thrust loads, please consider Angular Contact Bearings with Housings P.1012-1017.)

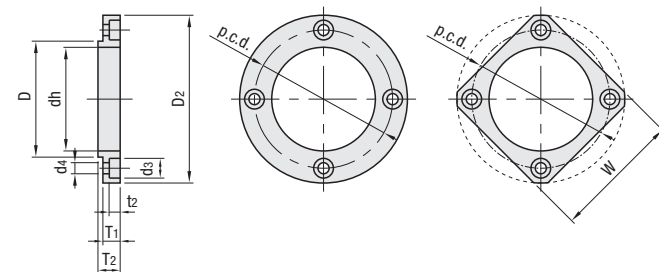
Example (1) (Standard Type)



Example (2) (With Pilot Type)



Detailed Diagram for Outer Ring Cover



Bearings No.	(3) Outer Ring Cover										(4) Screws	
	D	D ₂	dh	T ₁	T ₂	P.C.D.	d ₃	d ₄	t ₂	W		
6902ZZ	28	43	25	6	8	35	6.5	3.5	3.1	34	M3-8	
6002ZZ	32	48	28									
6903ZZ	30	43	27									
6003ZZ	35	48	31	7	9	40	6.5	3.5	3.1	42		
6904ZZ	37	53	34									
6004ZZ	42	58	36									
6005ZZ	47	63	41	8	10	43	8	4.5	4.1	44		M4-10
6006ZZ	55	78	48									
6007ZZ	62	84	55									
6008ZZ	68	92	60	9	11	78	11	6.6	6.1	—	M6-12	

Bearings with Housings

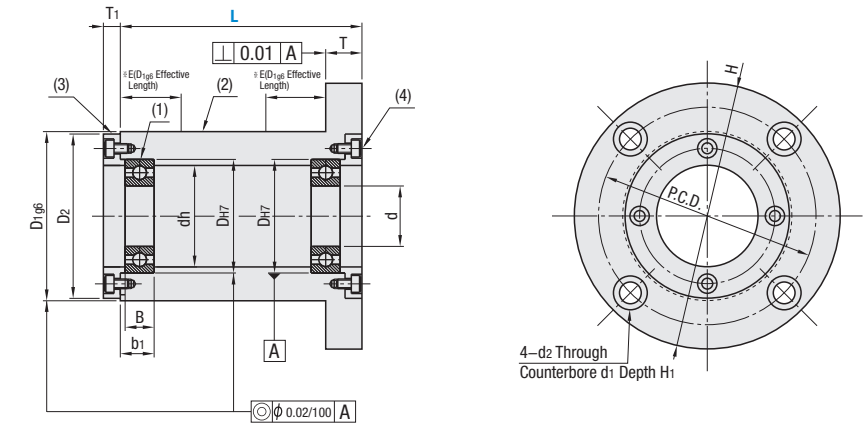
Outer Ring Fixed, continued

Bearings with Housings – Outer Ring Fixed



RoHS 10

Type	(1) Bearing	(2) Housing (3) Outer Ring Cover	(4) Outer Ring Cover Mounting Screws		
	Material	Material	Surface Treatment	Material	Surface Treatment
GBGCB	52100 Bearing Steel	1045 Carbon Steel or Equivalent	Black Oxide	4137 Alloy Steel or Equivalent	Black Oxide
GBGC			Electroless Nickel Plating		



For marked* L dimensions in Standards Table, a relief is added on the pilot outer diameter, and D1g6 effective length only applies to E dimensions.

Bearing Accuracy JIS B 1514 Class 0

Type	Part Number	Bearings No.	L Selection	d	D _{g6}	Tolerance	B	b ₁	H	D ₂	T	dh	*E	D _{1g6}	Tolerance	P.C.D.	d ₁	d ₂	H ₁	T ₁							
																					GBGCB Black Oxide	6902ZZ	30	50	70	15	28
GBGC Electroless Nickel Plating	6002ZZ	40	60	*80	32	+0.025 0	9	11	75	48	12	28	50	62													
6903ZZ	40	60	*80	17	30	+0.021 0	7	9	70	43	27	18	45	57													
	6003ZZ	40	60	*80	35	+0.025 0	10	12	75	48	31	31	50	62	70	-0.010 -0.029	14	9	8.5	7							
	6904ZZ	40	60	80	20		37	9	11	87	53	15	34	—	55						75						
	6004ZZ	50	70	*90	42		42	12	14	92	58	41	22	60	80						100						
	6005ZZ	50	80	*100	25	47	+0.030 0	13	15	120	78	18	48	27	86	-0.012 -0.034	17.5	11	10.5	8							
	6006ZZ	50	80	*100	30	55															14	16	126	84	55	80	106
	6007ZZ	70	*100	35	62	62															15	17	140	92	60	—	95
	6008ZZ	70	100	40	68	68																					

Part Number Example: **GBGCB 6903ZZ - 40**

Part Number: **GBGCB 6903ZZ - 40**