

# Bearings with Housings

## T-Shaped, with Positioning Groove, Retained

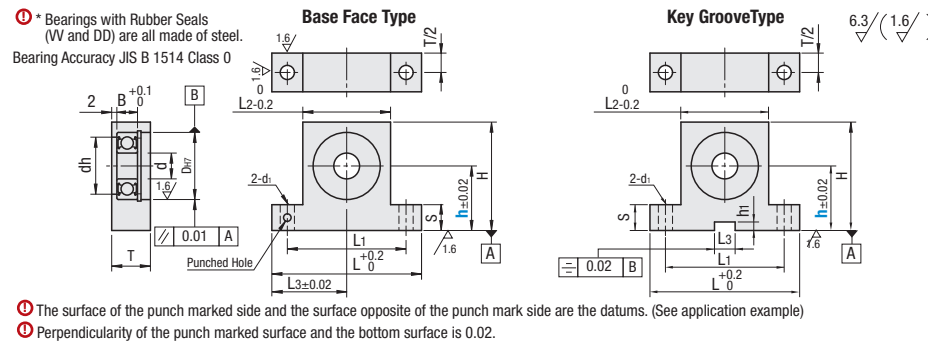
Bearings with Housings – T-Shaped, with Positioning Groove, Retained



RoHS 10

Base Face Type		Key Groove Type		Material		Surface Treatment		Accessory Retaining Ring
h Selectable	h Configurable	h Selectable	h Configurable	Bearings	Housing	Housing		Housing
BSHKB	BSHFB	BKHKB	—	Steel	1045 Carbon Steel or Equivalent	Black Oxide		Spring Steel
BSHK	BSHF	BKHK	BKHF			Electroless Nickel Plating		304 Stainless Steel or Equivalent
BSHKA	—	BKHKA	—	Stainless Steel	2000 Series Aluminum Alloy	Clear Anodize		—
BSHKSA	—	BKHKS	—			304 Stainless Steel or Equivalent		—

Ⓢ Bearings with Rubber Seals (VV and DD) are all made of steel.  
Bearing Accuracy JIS B 1514 Class 0



Ⓢ The surface of the punch marked side and the surface opposite of the punch mark side are the datums. (See application example)  
Ⓢ Perpendicularity of the punch marked surface and the bottom surface is 0.02.

### Base Face Type

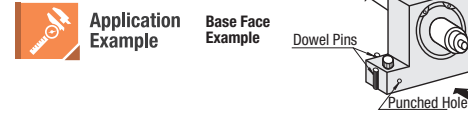
Type	Part Number	Bearings No.	Seal	h Selectable	h Configurable	d	D <sub>H7</sub>	Tolerance	dh	B	H	L	L <sub>1</sub>	L <sub>2</sub>	L <sub>3</sub>	T	S	d <sub>1</sub>	Available Types							
																			BSHKB	BSHK	BSHKA	BSHKSA	BSHFB	BSHF		
h Selectable	623	624	ZZ	15 20 25	10-30	3	10	+0.015 0	7	4	h+9	36	26	16	18	10	5	4.5	5	4.5	•	•	•	•	•	•
																					•	•	•	•	•	•
																					•	•	•	•	•	•
																					•	•	•	•	•	•
																					•	•	•	•	•	•
																					•	•	•	•	•	•
																					•	•	•	•	•	•
																					•	•	•	•	•	•
																					•	•	•	•	•	•
																					•	•	•	•	•	•
h Configurable	6903	6903	DD	30 40 50	25-50	15	32	+0.025 0	28	9	h+20	68	54	40	34	15	6.5	15	6.5	•	•	•	•	•	•	
																				•	•	•	•	•	•	
																				•	•	•	•	•	•	
																				•	•	•	•	•	•	
																				•	•	•	•	•	•	
																				•	•	•	•	•	•	
																				•	•	•	•	•	•	
																				•	•	•	•	•	•	
																				•	•	•	•	•	•	
																				•	•	•	•	•	•	

### Key Groove Type

Type	Part Number	Bearings No.	Seal	h Selectable	h Configurable	d	D <sub>H7</sub>	Tolerance	dh	B	H	L	L <sub>1</sub>	L <sub>2</sub>	L <sub>3</sub>	h <sub>1</sub>	T	S	d <sub>1</sub>	Available Types						
																				BKHKB	BKHK	BKHKA	BKHKS	BKHF		
h Selectable	623	624	ZZ	15 20 25	15-30	3	10	+0.015 0	7	4	h+9	36	26	16	18	3	±0.0125	1.4	10	5	4.5	•	•	•	•	•
																						•	•	•	•	•
																						•	•	•	•	•
																						•	•	•	•	•
																						•	•	•	•	•
																						•	•	•	•	•
																						•	•	•	•	•
																						•	•	•	•	•
																						•	•	•	•	•
																						•	•	•	•	•
h Configurable	6903	6903	DD	30 40 50	25-50	15	32	+0.025 0	28	9	h+20	68	54	40	10	±0.0180	3.3	+0.2 0	15	6.5	•	•	•	•	•	
																					•	•	•	•	•	
																					•	•	•	•	•	
																					•	•	•	•	•	
																					•	•	•	•	•	
																					•	•	•	•	•	
																					•	•	•	•	•	
																					•	•	•	•	•	
																					•	•	•	•	•	
																					•	•	•	•	•	

Ⓢ \*No. 623, 624, 605 and 606 are not available for VV (Non-contact Sealed).

Part Number Example	Type	Bearings	Seal	h
BSHK	6000	ZZ	-	30
BKHF	6002	VV	-	25



Part Number Alterations	Part Number	h	(NA / KCC / KKC)	
BSHF6000ZZ	-	35	-	KKC

Alterations	Bearings, Retaining Rings Not Assembled	C2 Chamfer	C Chamfer								
Code	NA	KCC	KKC								
Spec.	Bearings and retaining rings are shipped unassembled to the housing.	C2 chamfer is done on the top edge surfaces.	C chamfer (45°) on both top edge corners. Ordering Code: KKC								
			<table border="1"> <thead> <tr> <th>d</th> <th>KKC</th> </tr> </thead> <tbody> <tr> <td>3-8</td> <td>5</td> </tr> <tr> <td>10-20</td> <td>10</td> </tr> <tr> <td>25, 30</td> <td>12</td> </tr> </tbody> </table>	d	KKC	3-8	5	10-20	10	25, 30	12
d	KKC										
3-8	5										
10-20	10										
25, 30	12										

# Bearings with Housings

## T-Shaped Double Bearings, with Positioning Groove, Unretained

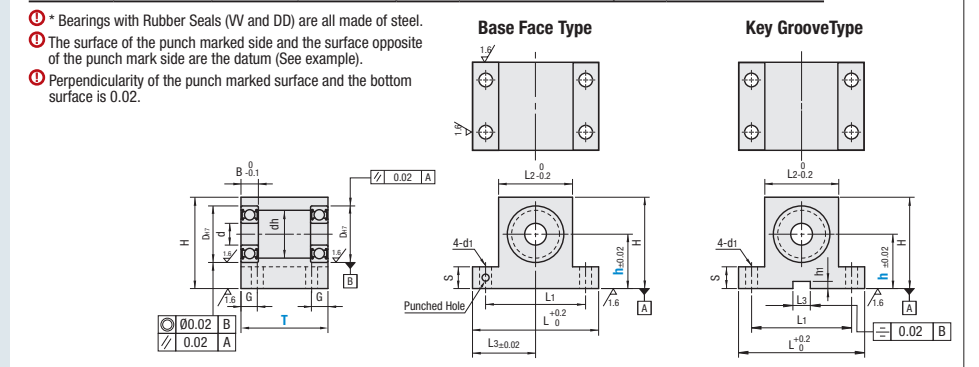
Bearings with Housings – T-Shaped Double Bearings, with Positioning Groove, Unretained



RoHS 10

Base Face Type		Key Groove Type		Material		Surface Treatment		Accessory Retaining Ring
h Selectable	h Configurable	h Selectable	h Configurable	Bearings	Housing	Housing		Housing
BSHWB	BSHWF	BKHWB	BKHWFB	Steel	1045 Carbon Steel or Equivalent	Black Oxide		Spring Steel
BSHW	BSHF	BKHW	—			Electroless Nickel Plating		304 Stainless Steel or Equivalent
BSHWA	—	BKHWA	—	Stainless Steel	2000 Series Aluminum Alloy	Clear Anodize		—
BSHWSA	—	BKHS	—			304 Stainless Steel or Equivalent		—

Ⓢ Bearings with Rubber Seals (VV and DD) are all made of steel.  
Ⓢ The surface of the punch marked side and the surface opposite of the punch mark side are the datum (See example).  
Ⓢ Perpendicularity of the punch marked surface and the bottom surface is 0.02.



### Base Face Type

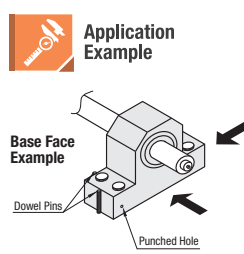
Type	Part Number	Bearings No.	Seal	T Selection	h Selectable	h Configurable	d	D <sub>H7</sub>	Tolerance	dh	B	H	L	L <sub>1</sub>	L <sub>2</sub>	L <sub>3</sub>	G	S	d <sub>1</sub>	Available Types						
																				BSHWB	BSHW	BSHWA	BSHWSA	BSHWS	BSHWF	BSHWF
h Selectable	623	624	ZZ	20 30	15 20 25	•	3	10	+0.015 0	7	4	h+9	36	26	16	18	5	5	4.5	5	4.5	•	•	•	•	•
																						•	•	•	•	•
																						•	•	•	•	•
																						•	•	•	•	•
																						•	•	•	•	•
																						•	•	•	•	•
																						•	•	•	•	•
																						•	•	•	•	•
																						•	•	•	•	•
																						•	•	•	•	•
h Configurable	6903	6903	DD	25 50	30 40 50	25-50	15	32	+0.025 0	28	9	h+20	68	54	40	34	15	6.5	15	6.5	•	•	•	•	•	
																					•	•	•	•	•	
																					•	•	•	•	•	
																					•	•	•	•	•	
																					•	•	•	•	•	
																					•	•	•	•	•	
																					•	•	•	•	•	
																					•	•	•	•	•	
																					•	•	•	•	•	
																					•	•	•	•	•	

### Key Groove Type

Type	Part Number	Bearings No.	Seal	T Selection	h Selectable	h Configurable	d	D <sub>H7</sub>	Tolerance	dh	B	H	L	L <sub>1</sub>	L <sub>2</sub>	L <sub>3</sub>	h <sub>1</sub>	T	S	d <sub>1</sub>	Applicable Key Nom. Dim.	Available Types					
																						BKHWB	BKHK	BKHKA	BKHS	BKHWFB	
h Selectable	623	624	ZZ	20 30	15 20 25	•	3	10	+0.015 0	7	4	h+9	36	26	16	3	±0.0125	1.4	10	5	4.5	3-3	•	•	•	•	•
																							•	•	•	•	•
																							•	•	•	•	•
																							•	•	•	•	•
																							•	•	•	•	•
																							•	•	•	•	•
																							•	•	•	•	•
																							•	•	•	•	•
																							•	•	•	•	•
																							•	•	•	•	•
h Configurable	6903	6903	DD	25 50	30 40 50	25-50	15	32	+0.025 0	28	9	h+20	68	54	40	10	±0.0180	3.3	+0.2 0	15	6.5	10-8	•	•	•	•	•
																							•	•	•	•	•
																							•	•	•	•	•
																							•	•	•	•	•
																							•	•	•	•	•
																							•	•	•	•	•
																							•	•	•	•	•
																							•	•	•	•	•
																							•	•	•	•	•
																							•	•	•	•	•

Ⓢ \*No. 623, 624, 605 and 606 are not available for VV (Non-contact Sealed).

Part Number Example	Type	Bearings	Seal	T	h	
BSHW	6000	ZZ	-	25	-	30
BSHWF	6900	VV	-	25	-	25



Part Number Alterations	Part Number	T	h	(NA / KCC / KKC)	
BSHWF6000ZZ	-	25	-	35 -	KKC

Alterations	Bearings Not Assembled	C2 Chamfer	C Chamfer								
Code	NA	KCC	KKC								
Spec.	Bearings are shipped unassembled to the housing.	C2 chamfer is done on the top edges.	C chamfer (45°) on both top edge corners. Ordering Code: KKC								
			<table border="1"> <thead> <tr> <th>d</th> <th>KKC</th> </tr> </thead> <tbody> <tr> <td>3-8</td> <td>5</td> </tr> <tr> <td>10-20</td> <td>10</td> </tr> <tr> <td>25, 30</td> <td>12</td> </tr> </tbody> </table>	d	KKC	3-8	5	10-20	10	25, 30	12
d	KKC										
3-8	5										
10-20	10										
25, 30	12										