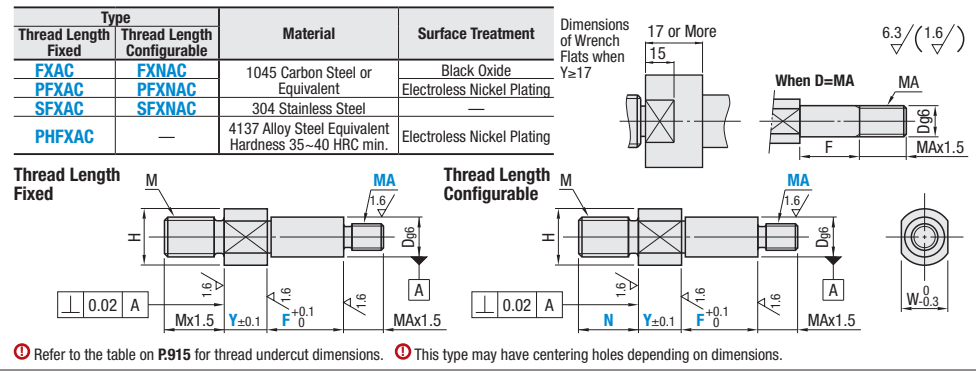


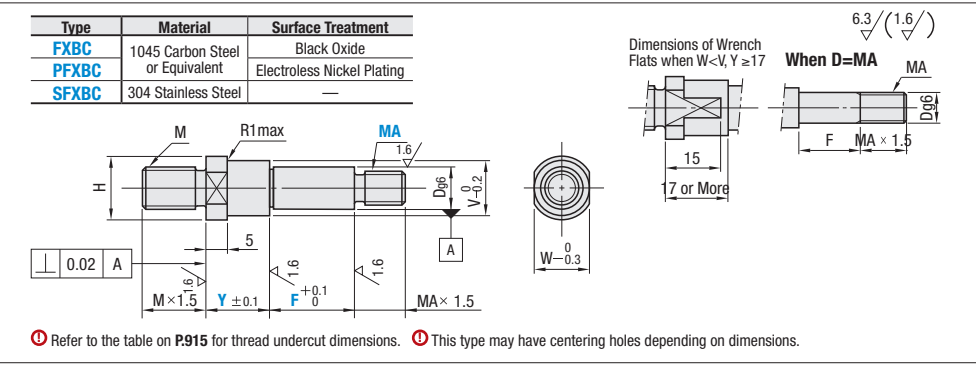
# Cantilever Shafts (Both Ends Threaded)

## Standard / Stepped



Part Number Type	No.	Dg6	1 mm Increment			MA (Coarse)		H	W	M (Coarse Thread)
			Y	F	N	MA	MA			
Thread Length Fixed FXAC PFXAC SFXAC PHFXAC (Dg6)	3	3	-0.002	2-30	3-50	3-6	3	7	5	M3
	3A	3	-0.008			11	9	11	9	M3
	4	4	-0.004			8	6	8	6	M4
	4A	4	-0.012			12	10	12	10	M4
	5	5	-0.004			9	7	9	7	M5
	5A	5	-0.012			13	11	13	11	M5
	6	6	-0.005			10	8	10	8	M6
	6A	6	-0.014			14	12	14	12	M6
	8	8	-0.005	5-100	8-16	5	6	8	12	M8
	8A	8	-0.014			12	10	12	10	M8
Thread Length Configurable FXNAC SFXNAC PFXNAC	10	10	-0.014	2-60		6	8	10		M10
	10A	10	-0.017			10	8	12		M10
	12	12	-0.006			6	8	10	12	M12
	12A	12	-0.017			12	10	14	12	M12
	13	13	-0.006			6	8	10	12	M12
	13A	13	-0.017			8	10	12	15	M12
	15	15	-0.006			8	10	12	15	M12
	16	16	-0.017			8	10	12	15	M12
	17	17	-0.006							M12
	18	18	-0.017							M12
Thread Length Configurable FXNAC SFXNAC PFXNAC	20	20	-0.007	4-60	10-100	10	12	15	16	20
	20A	20	-0.020			10	12	15	16	20
	22	22	-0.007			10	12	15	16	20
	22A	22	-0.020			10	12	15	16	20
	25	25	-0.007			10	12	15	16	20
	25A	25	-0.020			10	12	15	16	20
	30	30	-0.007			12	15	16	20	24
	30A	30	-0.020			12	15	16	20	24
						12	15	16	20	24
						12	15	16	20	24

ⓘ MA dimensions with ( ) (M15 and M25) are Fine Thread. Specify MSC instead of MA. ⓘ N is available for Thread Length Configurable Type only. ⓘ PHFXAC is applicable to D6 or larger specifications.

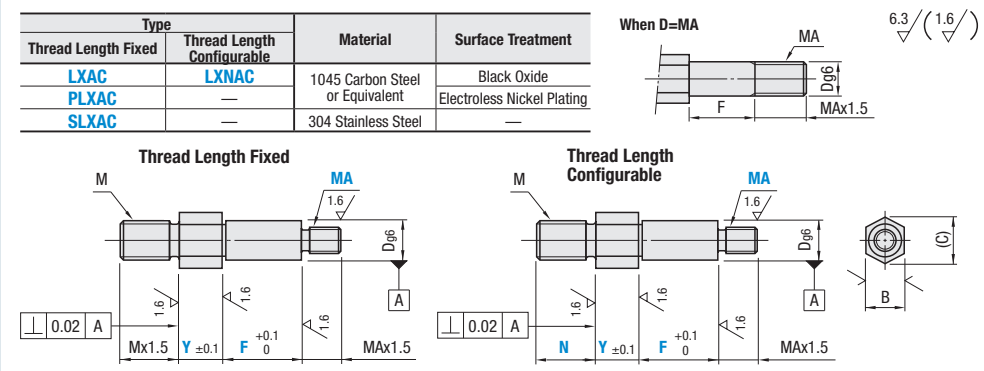


Part Number Type	No.	Dg6	1 mm Increment		MA (Coarse)		V	H	W	M (Coarse Thread)	
			Y	F	MA	MA					
Thread Length Fixed FXBC PFXBC SFXBC	3	3	-0.002	7-30	3-50	3	5	7	5	M3	
	3A	3	-0.008			3	9	11	9	M3	
	4	4	-0.004			3	6	8	6	M4	
	4A	4	-0.012			4	10	12	10	M4	
	5	5	-0.004			3	7	9	7	M5	
	5A	5	-0.012			4	11	13	11	M5	
	6	6	-0.005			4	8	10	8	M6	
	6A	6	-0.014			5	12	14	12	M6	
	8	8	-0.005	5-100	8-16	5	6	8	10	12	M8
	8A	8	-0.014			6	10	12	10	12	M8
Thread Length Configurable FXBC PFXBC SFXBC	10	10	-0.014	7-60		6	8	10		M10	
	10A	10	-0.017			6	8	10	12	M10	
	12	12	-0.006			6	8	10	12	M12	
	12A	12	-0.017			8	10	12	15	M12	
	13	13	-0.006			8	10	12	15	M12	
	13A	13	-0.017			8	10	12	15	M12	
	15	15	-0.006			8	10	12	15	M12	
	16	16	-0.017			8	10	12	15	M12	
	17	17	-0.006			8	10	12	15	M12	
	18	18	-0.017			8	10	12	15	M12	
Thread Length Configurable FXBC PFXBC SFXBC	20	20	-0.007	7-100	10-100	10	12	15	16	20	
	20A	20	-0.020			10	12	15	16	20	
	22	22	-0.007			10	12	15	16	20	
	22A	22	-0.020			10	12	15	16	20	
	25	25	-0.007			10	12	15	16	20	
	25A	25	-0.020			10	12	15	16	20	
	30	30	-0.007			10	12	15	16	20	
	30A	30	-0.020			10	12	15	16	20	
						10	12	15	16	20	
						10	12	15	16	20	

ⓘ MA dimensions with ( ) (M15 and M25) are Fine Thread. Specify MSC instead of MA. ⓘ When  $W < V$ , width across wrench flats W reaches outer diameter V.

# Cantilever Shafts (Both Ends Threaded)

## Hex



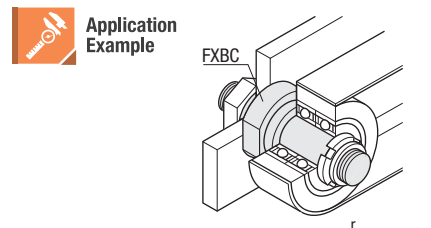
Part Number Type	No.	Dg6	1 mm Increment			MA (Coarse Selection)		B	(C)	M (Coarse Thread)
			Y	F	N	MA	MA			
Thread Length Fixed LXAC PLXAC SLXAC	3	3	-0.002	2-30	3-50	3-6	3	6	6.9	M3
	3A	3	-0.008			4-8	3	4		M4
	4	4	-0.004			5-10	3	4	5	M5
	4A	4	-0.012			6-12	4	5	6	M6
	5	5	-0.004			8-16	5	6	8	M8
	5A	5	-0.012			10-20	6	8	10	M10
	6	6	-0.005			10-20	6	8	10	M10
	6A	6	-0.014			6	8	10	12	M12
	8	8	-0.005			6	8	10	12	M12
	8A	8	-0.014			8	10	12	15	M12
Thread Length Configurable LXNAC	10	10	-0.014	2-60		6	8	10	12	M12
	10A	10	-0.017			8	10	12	15	M12
	12	12	-0.006			10	12	15	16	20
	12A	12	-0.017			10	12	15	16	20
	13	13	-0.006			10	12	15	16	20
	13A	13	-0.017			10	12	15	16	20
	15	15	-0.006			10	12	15	16	20
	16	16	-0.017			10	12	15	16	20
	17	17	-0.006			10	12	15	16	20
	18	18	-0.017			10	12	15	16	20
Thread Length Configurable LXNAC	20	20	-0.007	4-60	10-75	10	12	15	16	20
	20A	20	-0.020			10	12	15	16	20
	22	22	-0.007			10	12	15	16	20
	22A	22	-0.020			10	12	15	16	20
	25	25	-0.007			10	12	15	16	20
	25A	25	-0.020			10	12	15	16	20
	30	30	-0.007			10	12	15	16	20
	30A	30	-0.020			10	12	15	16	20
						10	12	15	16	20
						10	12	15	16	20

ⓘ MA dimensions with ( ) (M15 and M25) are Fine Thread. Specify MSC instead of MA. ⓘ N is available for Thread Length Configurable Type only.

Part Number Example: FXAC12 - 25 - F22 - MA8  
LXNAC10 - 30 - F50 - N10 - MA6

Part Number Alterations: FXAC10 - 53 - F30 - MSC10 - WSC

Alterations	Y Dimension Tolerance	Four Wrench Flats	Fine Thread
Code	YKC	WSC	MSC
Spec.	Changes Y dimension tolerance to ±0.05. ⓘ Applicable to all types. Ordering Code: YKC	Changes from two wrench flats to four wrench flats. ⓘ Applicable to Standard / Stepped Types. Ordering Code: WSC	Changes Thread MA to Fine Thread on table below. ⓘ Applicable to all types. ⓘ Specify MSC instead of MA. Ordering Code: MSC8 MSC Pitch M3 0.35 M12 1.0 M4 0.5 M15 1.0 M5 0.75 M20 1.5 M6 1.0 M25 1.5 M8 1.0 M30 1.5 M10 1.0



Thread Dia. (M / MA)	Coarse Thread			Fine Thread		
	g	r	f	g	r	f
3	1.2-	0.2-	2.1-2.4	3	1.2-	0.2-
4	1.5	0.3	2.9-3.2	4	1.5	0.3
5			3.9-4.1	5		
6	1.5-	0.2-	4.3-4.9	6	1.5-	0.2-
8	2.5	0.6	6.3-6.6	8	2.5	0.6
10			8.1-8.3	10		
12	1.5-		9.8-10.1	12	1.5-	
16	3.0	0.2-	13.6-13.8	15	3.0	0.2-
20	1.5-	1.0	17.0-17.2	20	1.5-	1.0
24	2.5-		20.2-20.7	25	2.5-	
30	5.0	1.5	26.0-26.2	30	5.0	1.5