

# Support Units (Fixed Side, Round)

Standard

## Support Units - Fixed Side, Round Standard



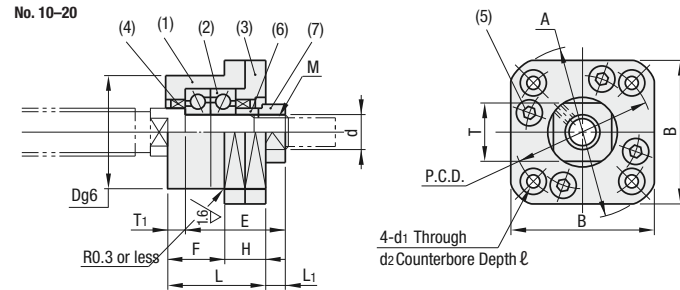
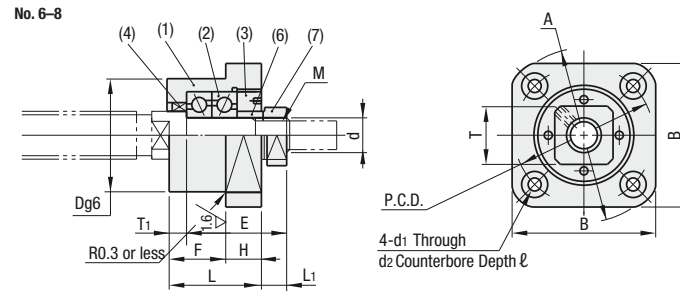
RoHS 10

Type		Material		Surface Treatment
Fixed Side Only	Fixed Side & Support Side SET	(1), (3)	(6), (7)	(1), (3), (6), (7)
C-BRW	C-BRW-SET	EN 1.1191 Equiv.	EN 1.0038 Equiv.	Black Oxide

### Component Details

Number	Part Name	Qty
(1)	Bearing Housing	1
(2)	Over Sea Manufactured Angular Contact Bearing Grade 5	1 Set
(3)	Cover	1
(4)	Oil Seal	2
(5)	Hex Socket Head Cap Screw	4
(6)	Collar	2
(7)	Bearing Nut (with Set Piece)	1

- ① d=6 and 8 come with one Oil Seal 4.
- ② Do not disassemble 1, 2, 3, 4 and 5, as they must remain assembled.
- ③ When used together with a MISUMI ball screw, there is one support unit accessory collar spare.



Part Number		Support Side SET	d	L	H	F	E	D	A	P.C.D.	B	L <sub>1</sub>	T <sub>1</sub>	d <sub>1</sub>	d <sub>2</sub>	l	M (Fine Thread)	T	Oil Seal Applicable Shaft Dia.	
Type	No.																			
C-BRW	6	-SET (Only when purchased in Sets)	6	20	7	13	22	22	35	28	28	5.5	3.5	2.9	5.5	3.5	M6 x 0.75	12	9.5	
	8S		8	23	9	14	26	28	43	35	35	7	4	3.4	6.5	4	M8 x 1.0	14	10	
	8																			11.5
	10S		10	27	10		29.5	34	52	42	42	7.5	5	4.5	8	4	M10 x 1.0	16	12	
	10																			14
	12		12		17			36	54	44	44						M12 x 1.0	19	15	
	15S		15	32	15			36	57	63	50	52	10	6	5.5	9.5	6	M15 x 1.0	22	19.5
15																		20		
20	20	52	22	30	50	50	85	70	68	8	10	10	6.6	11	10	M20 x 1.0	30	25		

Part Number Example	Part Number	
	C-BRW15	(Fixed-side single type)
	C-BRW15-SET	(SET part type)

④ Store Accessories with care since they are required when assembling.

# Support Units (Support Side, Round)

Standard

## Support Units - Support Side, Round Standard

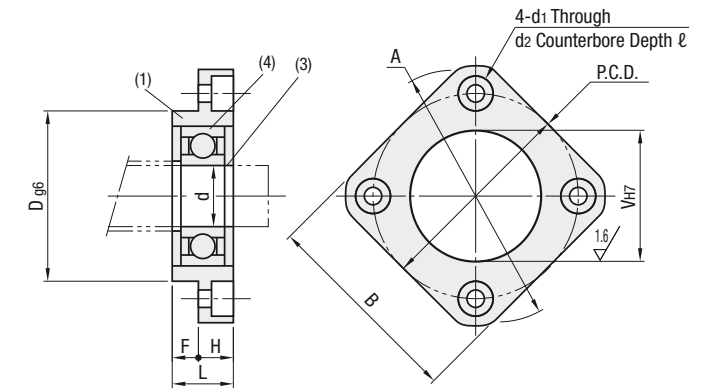


RoHS 10

Type	Material	Surface Treatment
C-BUR	EN 1.1191 Equiv.	Black Oxide

### Component Details

Number	Part Name	Qty
(1)	Housing	1
(2)	Oversea manufactured radial bearing	1
(3)	Retaining Ring (STWN, S)	1

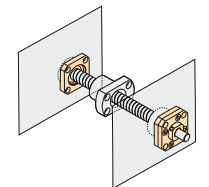


Part Number		d	L	H	F	D	A	P.C.D.	B	V	d <sub>1</sub>	d <sub>2</sub>	l	Bearing Part Number	Retaining Ring
Type	No.														
C-BUR	6	6	10	6	4	22	36	28	28	17	3.4	6.5	4	B606ZZ	STWN, S6
	10	8	12	7	5	28	43	35	35	22				B608ZZ	STWN, S8
	12	10	15		8	34	52	42	42	26	4.5	8		B6000ZZ	STWN, S10
	15	15	17	9		40	63	50	52	32	5.5	9.5	5.5	B6002ZZ	STWN, S15
	20	20	20	11	9	57	85	70	68	47	6.6	11	6.5	B6204ZZ	STWN, S20

Part Number Example	Part Number	
	C-BUR10	(Support Side separate item model number)

### SET Part Overview

- For customers using in conjunction with fixed side and support side.
- We recommend a SET, which allows the fixed side and support side to be ordered as one set.
- 5% price reduction when ordering in SETs.



### SET Part

SET Part Number	SET Parts	
	Fixed Side Part Number	Support Side Part Number
C-BRW6-SET	C-BRW6	C-BUR6
C-BRW8S-SET	C-BRW8S	C-BUR6
C-BRW8-SET	C-BRW8	C-BUR6
C-BRW10S-SET	C-BRW10S	C-BUR10
C-BRW10-SET	C-BRW10	C-BUR10
C-BRW12-SET	C-BRW12	C-BUR12
C-BRW15-SET	C-BRW15	C-BUR15
C-BRW15S-SET	C-BRW15S	C-BUR15
C-BRW20-SET	C-BRW20	C-BUR20

