

# Support Units (Fixed Side, Square)

Standard Narrow Pitch Type

Support Units – Fixed Side, Square  
Standard Narrow Pitch Type



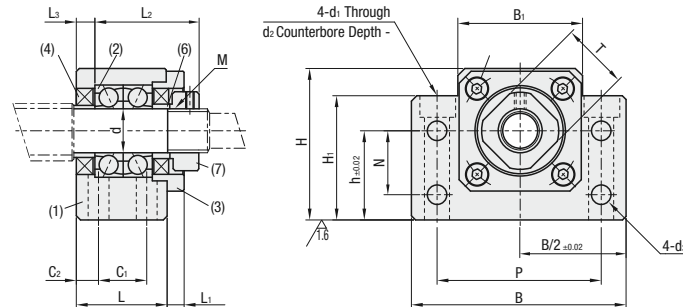
RoHS 10

Type		Material		Surface Treatment
Fixed Side Only	Fixed Side & Support Side SET	(1), (3)	(6), (7)	(1), (3), (6), (7)
C-BSFW	C-BSFW-SET	EN 1.1191 Equiv.	EN 1.0038 Equiv.	Black Oxide

## Component Details

Number	Part Name	Qty
(1)	Bearing Housing	1
(2)	Over Sea Manufactured Angular Contact Bearing Grade 5	1 Set
(3)	Cover	1
(4)	Oil Seal	2
(5)	Hex Socket Head Cap Screw	4
(6)	Collar	2
(7)	Bearing Nut (with Set Piece)	1

- Ⓛ d=6 and 8 come with one Oil Seal 4.
- Ⓛ Do not disassemble 1, 2, 3, 4 and 5, as they must remain assembled.
- Ⓛ When used together with a MISUMI ball screw, there is one support unit accessory collar spare.



Part Number		Support Side SET	d	L	L <sub>1</sub>	L <sub>2</sub>	L <sub>3</sub>	B	H	h	B <sub>1</sub>	H <sub>1</sub>	P	N	C <sub>1</sub>	C <sub>2</sub>	d <sub>1</sub>	d <sub>2</sub>	d <sub>3</sub>	ℓ	M (Fine Thread)	T	Oil Seal Applicable Shaft Dia.
Type	No.																						
C-BSFW	10S	-SET (Only when purchased in Sets)	10	25	5	29	5	60	39	22	34	32.5	46	15	16	6	6.6	11	5.5	5	M10 x 1.0	16	12
	10		12	43	25	35	18	15	1.5	M12 x 1.0	19	15											
	12		15	27	6	32	6	70	48	28	40	38	54	15	6.5	M15 x 1.0	22	20					
	15		20	35	8	43	8	88	60	34	52	50	70	22	19	8	9	14	6.6	8.5	M20 x 1.0	30	27.5

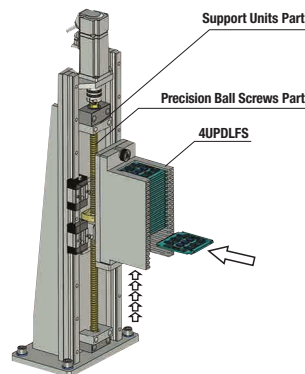
Part Number Example

Part Number	Part Name
C-BSFW15	(Fixed-side single type)
C-BSFW15-SET	(SET part type)

Application Example

### Elevator Device

- Stocker elevator device
- Lift in stepped increments for every work insertion
- Medium precision/low frequency positioning



# Support Units (Support Side, Square)

Standard Narrow Pitch Type

Support Units – Fixed Side, Square  
Standard Narrow Pitch Type

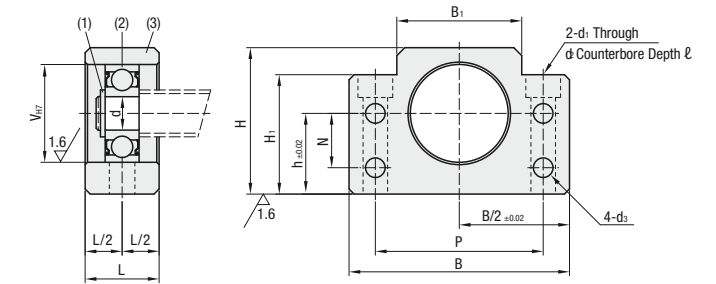


RoHS 10

Type	Material	Surface Treatment
C-BUFN	EN 1.1191 Equiv.	Black Oxide

## Component Details

Number	Part Name	Qty
(1)	Housing	1
(2)	Oversea manufactured radial bearing	1
(3)	Retaining Ring (STWN, S)	1



Part Number		d	L	B	H	h	B <sub>1</sub>	H <sub>1</sub>	P	N	V	d <sub>1</sub>	d <sub>2</sub>	d <sub>3</sub>	ℓ	Bearing Part Number	Retaining Ring							
Type	No.																							
C-BUFN	10	8	20	60	39	22	34	32.5	46	15	22	6.6	11	5.5	5	B608ZZ	STWN, S8							
	12	10														43	25	35	18	26	1.5	B6000ZZ	STWN, S10	
	15	15														70	48	28	40	38	54	6.5	B6002ZZ	STWN, S15
	20	20														88	60	34	52	50	70	28	42	9

Part Number Example

Part Number	Part Name
C-BUFN15	(Support side, separate item)

## SET Part Overview

- For customers using in conjunction with fixed side and support side.
- We recommend a SET, which allows the fixed side and support side to be ordered as one set.
- 5% price reduction when ordering in SETs.

## SET Part

SET Part Number	SET Parts	
	Fixed Side Part Number	Support Side Part Number
C-BSFW10-SET	C-BSFW10	C-BUFN10
C-BSFW10S-SET	C-BSFW10S	C-BUFN10
C-BSFW12-SET	C-BSFW12	C-BUFN12
C-BSFW15-SET	C-BSFW15	C-BUFN15
C-BSFW20-SET	C-BSFW20	C-BUFN20



Fixed Side

Support Side