

Support Units (Round)

Standard Type / Support Side Type

Support Units (Support Side) Standard Type



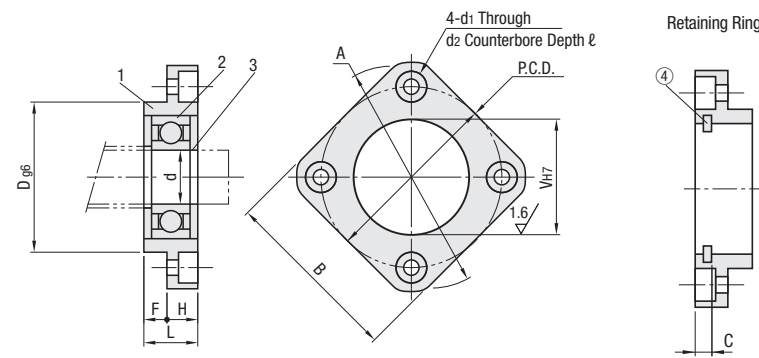
Component Details

No.	Part Name	Quantity
(1)	Housing	1
(2)	Radial Bearing	1
(3) (4)	Retaining Ring*	1

Ⓛ BURR bearing is Stainless Steel Type filled with low particle generation grease.

* Retaining Ring (3) and (4) of BURR, BURM and BTRM are Stainless Steel Type.

Standard	Type with Retaining Ring	Material	Surface Treatment
BUR	BTR	1045 Carbon Steel	Black Oxide
BURM	BTRM		Electroless Nickel Plating
BURR	—		Low Temperature Black Chrome Plating



Ⓛ Low Temperature Black Chrome Plating products are filled with low particle generation grease for cleanrooms.

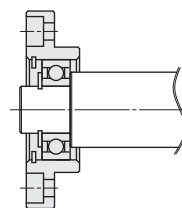
Ⓛ Store Accessories with care. They are required when assembling.

Part Number	Type	No.	d	L	H	F	D	A	P.C.D.	B	V	d ₁	d ₂	ℓ	Retaining Ring		Bearing Type	Retaining Ring
															C	Retaining Ring		
BUR BURM BURR		6	6	10	6	4	22	36	28	28	17	3.4	6.5	4	3	RTWN-S17	B606ZZ	STWN-S6
		8	8	12	7	5	28	43	35	35	22	3.4	6.5		3	RTWN-S22	B608ZZ	STWN-S8
		12	10	15	7	8	34	52	42	42	26	4.5	8		3	RTWN-S26	B600ZZ	STWN-S10
		15	15	17	9	8	40	63	50	52	32	5.5	9.5		4	RTWN-S32	B600ZZ	STWN-S15
BTR BTRM		20	20	20	11	9	57	85	70	68	47	6.6	11	4.5	RTWN-S47	B6204ZZ	STWN-S20	
		25	25	24	14	10	63	98	80	79	52	9	14	4.5	RTWN-S52	B6205ZZ	STWN-S25	

Ⓛ BTR, BTRM unavailable in size 25



In Type with Retaining Ring, the bearing won't slide out of the end of the Support Unit.



Stoppers for Ball Screws / Precision Collars for Support Units

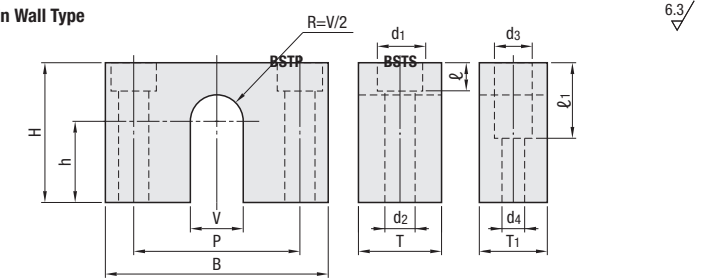
Stoppers for Ball Screws



RoHS 10

Material: Ether-based Polyurethane
Hardness: Shore A90

BSTP
BSTS Thin Wall Type



Part Number	Type	No.	B	H	h	P	V	BSTP				BSTS			
								T	d ₁	d ₂	ℓ	T ₁	d ₃	d ₄	ℓ ₁
BSTP BSTS (Thin Wall Type)		6	42	25	13	30	12	20	9.5	5.5	5.5	13	8	4.5	15
		8	52	32	17	38	14		11	6.5	6.5	6.5	15	9.5	5.5
		1022	70	40	22	52	16	25	14	9	9	18	11	6.5	23
		10													
		1233													
		12	80	43	25	60	18	30	17	11	11	20	14	9	30
		1526													
		1528													
		15	95	58	30	75	28	30	17	11	11	20	14	9	33
		20													
25	105	68													

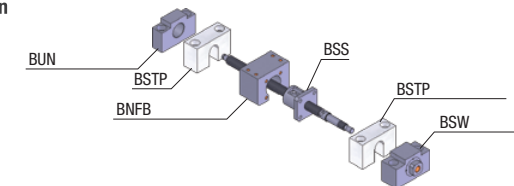
Ⓛ Take care in combining No.20 with BSSZ(K)2510, BSSR(K)2510 and BSST2510 Ball Screws. The Ball Screw Nut may come in contact with the bottom surfaces.

Ⓛ Low temperature black chrome plating products are filled with low particle generation grease for cleanrooms.

Ⓛ Store Accessories with care. They are required when assembling.



Part Number Example
BUN6
BTM8
BSTP15
BUSC15

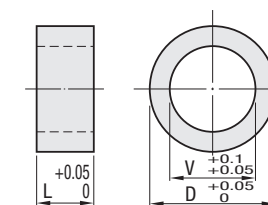


Precision Collars for Support Units



RoHS 10

BUSC



As BUSC is slightly larger than the included collar in O.D., it is effective in bearing oil retention. The low temp. black chrome plating used helps for low particle generation.

Material: 1018 Carbon Steel
Surface Treatment: Low Temperature Black Chrome plating

Part Number	Type	No.	D	V	L
		12	15.4	12	5.5
		15	20.4	15	10
		20	25.4	20	11
		25	31.3	25	14