

# Support Units (Square, Fixed Side)

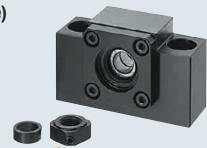
Standard

The Standard Type uses the preloaded JIS 5 class Angular Contact Bearings. It is recommended to use for high-accuracy and high-speed precision applications.

## Support Units (Fixed Side) Standard Type

(Industry Standard for High Speed Applications)

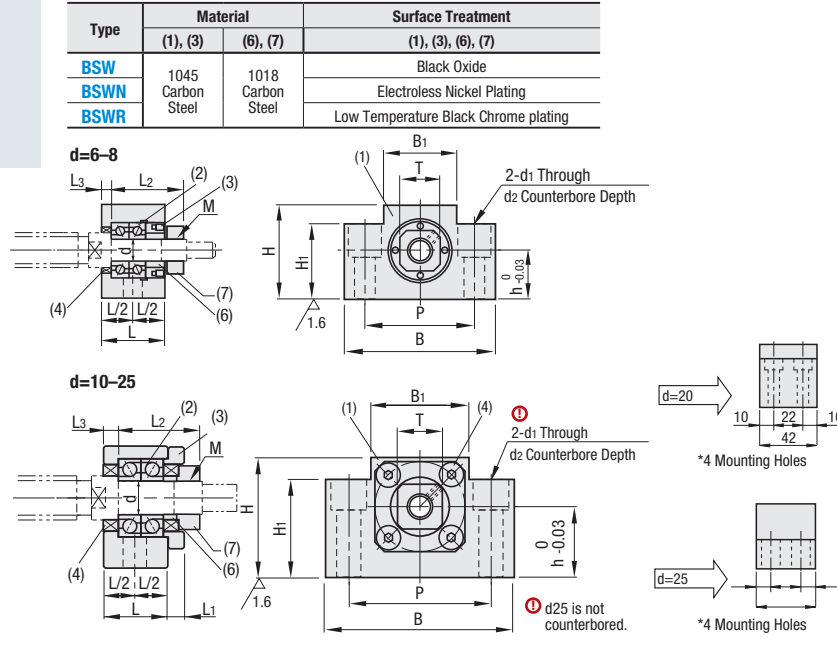
RoHS10



### Component Details

No.	Part Name	Quantity
(1)	Bearing Housing	1
(2)	Angular Contact Bearing Class 5	1 Set
(3)	Cover	1
(4)	Oil Seal	2
(5)	Hexagon Socket Head Cap Screw*	4
(6)	Collar	1
(7)	Clamping Nut (With Set Piece)	1

- Oil seal (4) is not included when d=6.
- d=8 comes with one oil seal (4).
- Do not disassemble (1), (2), (3) and (4), as they must remain as an assembled unit.
- BSWR bearing is filled with low particulate generation grease. \*Screws (5) for BSWR and BSWN are stainless steel type.
- For No.8S and 10S, the I.D. of oil seal is smaller than the previous No.8S and No.10S versions.



Part Number	Type	No.	d	L	L <sub>1</sub>	L <sub>2</sub>	L <sub>3</sub>	B	H	h	B <sub>1</sub>	H <sub>1</sub>	P	d <sub>1</sub>	d <sub>2</sub>	ℓ	M (Fine)	T	Oil Seal Applicable Shaft Dia.					
6	BSW BSWN BSWR	6	6	20	—	22.5	3.5	42	25	13	18	20	30	5.5	9.5	—	M6 x 0.75	12	—					
8S		8	23	—	26	4	52	32	17	25	26	38	6.6	11	—	M8 x 1.0	14	10						
1022		10	24	6	29.5	6	70	40	22	36	32	52	9	14	11	—	—	—	—	14				
10S								43	25		35									12	12			
1223		12	24	6	29.5	6	70	41	23	36	33	52	9	14	11	—	—	—	—	—	15			
12								43	25		35										12	15		
1526		15	25	6	38	5	80	46	26	41	36	60	11	17	15	—	—	—	—	—	—			
1528								48	28		38											60	22	20
15								50	40		40											15	20	
20		20	42	10	52	10	95	58	*30	56	45	75	11	17	15	—	—	—	—	—	—			
25	25																					48	13	59
25	25	58	59	14	105	68	35	66	25	85	11	—	—	—	—	—	—	—	M25x1.5	35	31			

Take care in combining No.20 with BSSZ(K)2510, BSSR(K)2510 and BSST2510 Ball Screws. The Ball Screw Nut may come in contact with the bottom surfaces.

Part Number Example	Part Number
	BSW15
	BSWR20

# Support Units (Square, Fixed Side)

Economy Type / Fixed Side Radial Bearing

## Support Units (Fixed Side) Fixed Side Economy

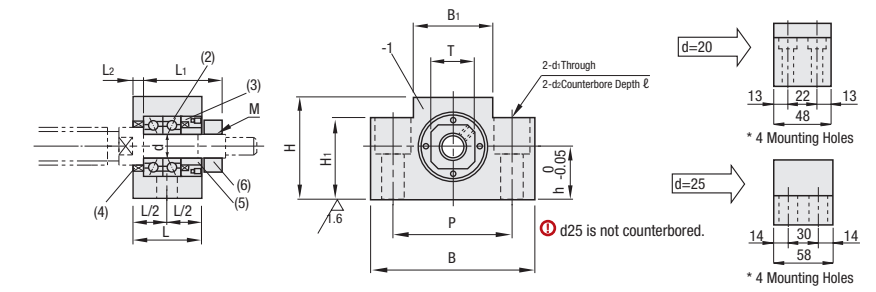
(Economical, for Intermediate and Low Speed Applications)

### Component Details

No.	Part Name	Quantity
(1)	Bearing Housing	1
(2)	Angular Contact Bearing Class 0	1 Set
(3)	Cover	1
(4)	Oil Seal	2
(5)	Collar	1
(6)	Clamping Nut (with Set Piece)	1

- BSWR bearing is filled with low particle generation grease.
- Do not disassemble (1), (2), (3) and (4), as they must remain as an assembled unit. EFor No.10S, the I.D. of oil seal is smaller than the previous No.10S version.

Type	Material		Surface Treatment
	(1), (3)	(5), (6)	(1), (3), (5), (6)
BSWE	1045 Carbon Steel	1018 Carbon Steel	Black Oxide
BSWEM			Electroless Nickel Plating
BSWER			Low Temperature Black Chrome plating



Part Number	Type	No.	d	L	L <sub>1</sub>	L <sub>2</sub>	B	H	h	B <sub>1</sub>	H <sub>1</sub>	P	d <sub>1</sub>	d <sub>2</sub>	ℓ	M (Fine)	T	Oil Seal Applicable Shaft Dia.					
1022	BSWE BSWEM BSWER	1022	10	27	29.5	6	70	40	22	36	32	52	9	14	11	—	—	—	14				
10S		43						25	35		12								12				
1223		12	24	6	29.5	6	70	41	23	36	33	52	9	14	11	—	—	—	—	15			
12								43	25		35									12	15		
1526		15	25	6	38	5	80	*48	26	41	36	60	11	17	15	—	—	—	—	—			
1528								*50	28		38										60	22	20
15								*52	40		40										15	20	
20		20	42	10	52	10	95	58	*30	56	45	75	11	17	15	—	—	—	—	—			
25																					25	58	59
25		25	58	59	14	105	68	35	66	25	85	11	—	—	—	—	—	—	—	M25x1.5	35	31	

\* When No.=15, H dimension is taller than the Standard Type (P.764) by 2mm.

Take care in combining No.20 with BSSZ(K)2510, BSSR(K)2510 and BSST2510 Ball Screws. The ball screw nut may come in contact with the bottom surfaces.

Part Number Example	Part Number
	BSWE20

## Fixed Side Radial Bearing

(Economical, for Low Speed Applications)

RoHS10

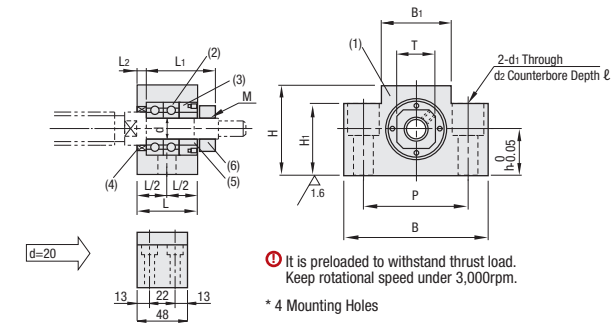


### Component Details

Number	Part Name	Quantity
(1)	Bearing Housing	1
(2)	Radial Bearing	1 Set
(3)	Cover	1
(4)	Oil Seal	1
(5)	Collar	1
(6)	Clamping Nut (with Set Piece)	1

- Oil Seal 4 is not included in d=6.
- Do not disassemble 1, 2, 3 and 4, as they must remain as an assembled unit.
- For No.8S and 10S, the I.D. of oil seal is smaller than the previous No.8S and No.10S versions.

Type	Material		Surface Treatment
	(1), (3)	(6), (7)	(1), (3), (6), (7)
BSWZ	1045 Carbon Steel	1018 Carbon Steel	Black Oxide
BSWZM			Electroless Nickel Plating



Part Number Example	Part Number
	BSWZ20

Part Number	Type	No.	d	L	L <sub>1</sub>	L <sub>2</sub>	B	H	h	B <sub>1</sub>	H <sub>1</sub>	P	d <sub>1</sub>	d <sub>2</sub>	ℓ	M (Fine)	T	Oil Seal Applicable Shaft Dia.					
6	BSWZ BSWZM	6	6	20	22.5	3.5	42	25	13	18	20	30	5.5	9.5	—	M6 x 0.75	12	—					
8S		8	23	—	26	4	52	32	17	25	26	38	6.6	11	—	M8 x 1.0	14	10					
1022		10	27	29.5	6	70	40	22	36	32	52	9	14	11	—	—	—	—	—				
10S							43	25		35										12	12		
1223		12	27	29.5	6	70	41	23	36	33	52	9	14	11	—	—	—	—	—	—			
12							43	25		35											12	15	
1526		15	29	38	5	80	*48	26	41	36	60	11	17	15	—	—	—	—	—	—			
1528							*50	28		38											60	22	20
15							*52	40		40											15	20	
20		20	48	52	10	95	58	*30	56	45	75	11	17	15	—	—	—	—	—				
25	25																			58	59	14	105

\* When No.=15, H dimension is taller than Standard Type by 2mm.

Take care in combining No.20 with BSSZ(K)2510, BSSR(K)2510 and BSST2510 Ball Screws. The ball screw nut may come in contact with the bottom surfaces.