


Miniature Linear Guides (Dust Resistant / Standard Block)

Light Preload

Miniature Linear Guides (Dust Resistant) – Standard Block
Light Preload



RoHS10

ⓘ Blocks and rails are not sold as separate items. Light Preload Type has guaranteed radial clearances and accuracies as sets of blocks and rails.

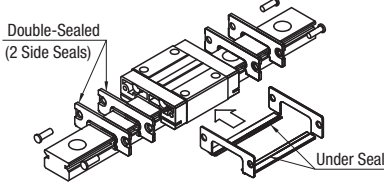
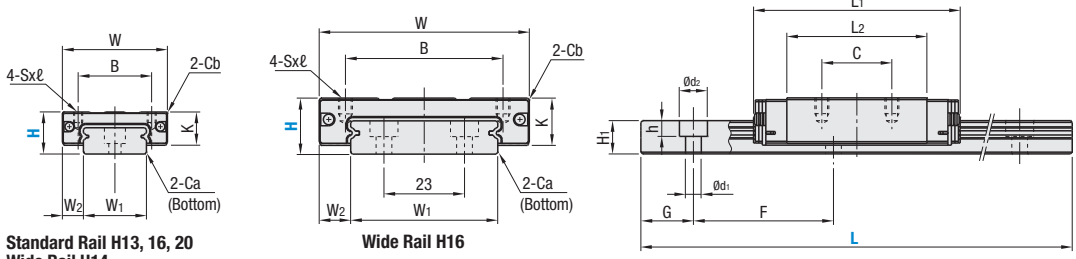
ⓘ For L Configurable, G dimensions differ from those shown in the table below. For details, P.608.

– Intrusion of foreign substances into the blocks can be prevented by enhanced sealing effects with two-ply side seal and under seals.
– Do not use in areas with high temperature dusts such as weld spatter.

Material Hardness	Type		L Dimension	Number of Blocks
	Light Preload			
	Standard Rail	Wide Rail		
Stainless Steel 56HRC min.	SSEBD	SSEBWD	Selectable	1
	SSE2BD	SSE2BWD		
	SSEBDL	SSEBWDL	Configurable	2
	SSE2BDL	SSE2BWDL		

Heat Resistant Temperature: -20~80°C

Dust Resistant Type Structure

Standard Rail H13, 16, 20
Wide Rail H14

Wide Rail H16

Features: Dust Resistant Heavy Load Linear Guide ideal for applications where dust and machining chips exist.

Precautions for Use

- ⓘ Blocks are equipped with retainers (wire) to prevent balls from falling out. For proper block handling, refer to P.602.
- ⓘ Radial clearances and accuracies are not guaranteed if the blocks and rails are interchanged from the original set combinations.
- ⓘ Straight grooves are provided on datum planes. When using, be sure to match the datum lines.
- ⓘ Rails cannot be connected end to end.
- ⓘ The accuracy of Linear Guides are guaranteed after mounting the rail (fastening screws on the rail and pushing it onto the datum plane).

Others

- Filled with Lithium soap based grease (Mulptemp Grease PS2 by Kyodo Yushi Co., Ltd.).
- For operating life calculations please, refer to P.604, or by using our free software at http://www.misumiusa.com/lg-bs_software/

	Part Number		H	L	Block Dimensions							Guide Rail Dimensions							
	Type				W	L ₁	B	C	S x ℓ	L ₂	K	Cb	H ₁	W ₁	W ₂	Ca	Counterbored Holes d ₁ x d ₂ x h	F	G
Standard Rail	1 Block SSEBD SSEBDL	2 Block SSE2BD SSE2BDL	13	45~470 (210)	27	36.9	20	15	M3 x 3.5	19.9	11	0.5	7.5	12	7.5	0.5	3.5 x 6 x 4.5	25	10
			16	70~670 (150)	32	45.4	25	20	M3 x 4	27.4	13	0.5	9.5	15	8.5	0.5	3.5 x 6 x 4.5	40	15
			20	100~700 (160)	40	53	30	25	M4 x 6	34.6	16	0.5	11	20	10	0.5	6 x 9.5 x 5.5	60	20
Wide Rail	1 Block SSEBWD SSEBWDL	2 Block SSE2BWD SSE2BWDL	14	70~470 (150)	40	47.3	28	15	M3 x 3.5	30.1	12	0.5	8	24	8	0.5	4.5 x 8 x 4.5	40	15
			16	70~670 (190)	60	58	45	20	M4 x 4.5	40	14	0.5	9.5	42	9	0.5	4.5 x 8 x 4.5	40	15

ⓘ L Dimension: Dimensions in () are for the minimum rail length of the 2-Block Type.

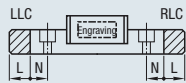
Part Number Example
Part Number: SSEBD13 - L: 220

Miniature Linear Guides (Dust Resistant / Standard Block)



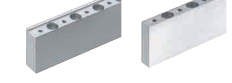




Light Preload, *continued*

Part Number Alterations

Part Number: SSEBWD14 - L: 350 - RLC

Alterations	Code	Specifications																												
Rail End Cut  Rail is cut with the product ID facing out (datum on other side).	Left End Cut LLC	Rail ends cut. Ordering Code: LLC <table border="1" style="font-size: small;"> <thead> <tr> <th>Standard Rails</th> <th>H</th> <th>L Cut</th> <th>N</th> </tr> </thead> <tbody> <tr> <td>13</td> <td>5</td> <td></td> <td></td> </tr> <tr> <td>16</td> <td>10</td> <td></td> <td>5</td> </tr> <tr> <td>20</td> <td>15</td> <td></td> <td></td> </tr> <tr> <th>Wide Rails</th> <th>H</th> <th>L Cut</th> <th>N</th> </tr> <tr> <td>14</td> <td>5</td> <td></td> <td>10</td> </tr> <tr> <td>16</td> <td></td> <td></td> <td></td> </tr> </tbody> </table>	Standard Rails	H	L Cut	N	13	5			16	10		5	20	15			Wide Rails	H	L Cut	N	14	5		10	16			
	Standard Rails	H	L Cut	N																										
13	5																													
16	10		5																											
20	15																													
Wide Rails	H	L Cut	N																											
14	5		10																											
16																														
Right End Cut RLC	ⓘ Applicable to Selectable Type only. ⓘ Cutting will shorten overall length. ⓘ Not applicable to L45 of H13.																													
3-Block Specifications	B3	Adds 2-blocks to the 1-block product. ⓘ There are restrictions for the L dimension length. See "Selectable Shortest Rail Length" for details in table below. Selection Example: SSEBD13-270-B3																												
4-Block Specifications	B4	Adds 3-blocks to the 1-block product. ⓘ There are restrictions for the L dimension length. See "Selectable Shortest Rail Length" for details in table below. Selection Example: SSEBWD14-430-B4																												

Options for Linear Guide

Positioning Retaining Parts	Block / Rail Fixing Parts
	Rail Push Plates 
Rail Height Adjusting Blocks 	Linear Lock 
Rail Height Adjusting Blocks 	Linear Guide Lock Units 
Stopper Bolts 	

Selectable Shortest Rail Length for B3 / B4

H	Block	B3 (3-Block)	B4 (4-Block)
13	Standard	145	195
	Wide	—	—
14	Standard	—	—
	Wide	190	230
16	Standard	190	230
	Wide	230	270
20	Standard	220	280
	Wide	—	—

Kgf=Nx0.101972

H		Basic Load Rating		Allowable Static Moment			Mass	
		C (Dynamic) kN	Co (Static) kN	Ma N-m	Ms N-m	Mc N-m	Block kg	Guide Rail kg/m
Standard Rail	13	2.2	3.3	8.8	9.5	16.1	0.045	0.61
	16	3.6	5.4	21.6	23.4	39.6	0.065	1.02
	20	5.2	8.5	48.4	48.4	86.4	0.13	1.65
Wide Rail	14	3.5	5.3	20.6	22.3	52.1	0.085	1.40
	16	5.8	8.5	40.2	43.6	148	0.16	2.95

