

Miniature Linear Guides (Wide Rails Standard Block with Dowel Holes)

Light Preload

Similar Products Comparison Points

Similar Products Comparison Points MISUMI original specifications with dowel holes. Requires less time for assembly and has better repeatability.

Miniature Linear Guides (Wide Rails Standard Blocks with Dowel Holes) – Light Preload Slight Clearance



Blocks and rails are not sold as separate items. Light Preload Type has guaranteed radial clearances and accuracies as sets of blocks and rails.

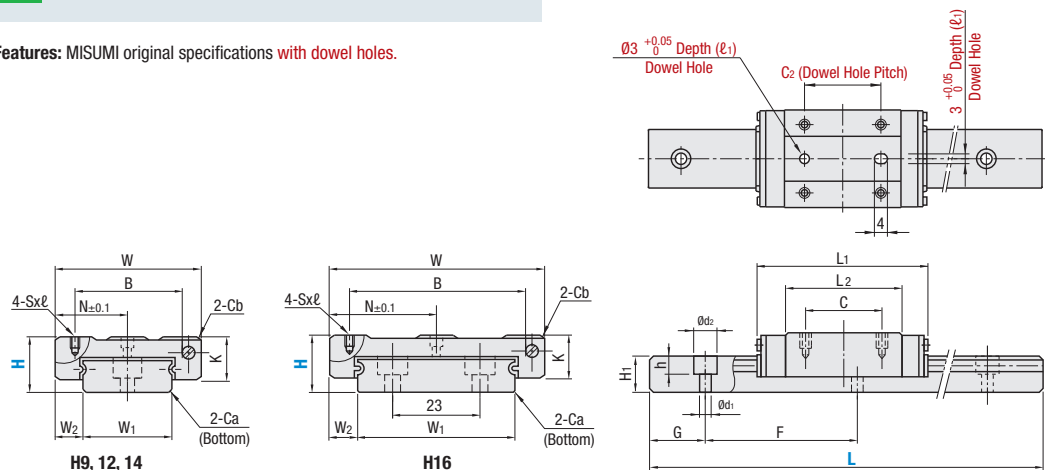
RoHS10

Material Hardness	Type	L Dimensions	Number of Blocks
	Light Preload High Grade		
Stainless Steel 56 HRC min.	SSEBWN	Selectable	1
	SSE2BWN		2
	SSEBWNL	Configurable	1
	SSE2BWNL		2

Heat Resistant Temperature: -20~80°C

For L Configurable, G dimensions differ from those shown in the table below. For details, P.608.

Features: MISUMI original specifications with dowel holes.



Precautions for Use

- Blocks are equipped with retainers (wire) to prevent balls from falling out. Refer to P.602.
- Radial clearances and accuracies are not guaranteed if the blocks and rails are interchanged from the original set combinations.
- Straight grooves are provided on datum planes. When using, be sure to match the datum lines.
- Rails cannot be connected end to end.
- The accuracy of Linear Guides are guaranteed after mounting the rail (fastening screws on the rail and

pushing it onto the datum plane). Minor bending of the rail will be adjusted after being mounted and will not affect the performance.

Others

- Filled with Lithium soap based grease (Multemp Grease PS2 by Kyodo Yushi Co., Ltd.).
- For operating life calculations, please refer to P.604, or by using our free software at, http://www.misumiusa.com/lg-bs_software/

Part Number	Type	H	L	Block Dimensions						Dowel Hole Dimensions			Guide Rail Dimensions									
				W	L ₁	B	C	S x ℓ	L ₂	K	Cb	N	C2	(ℓ ₁)	W ₁	W ₂	H ₁	Ca	Counterbored Holes d ₁ x d ₂ x h		F	G
SSEBWN SSE2BWN SSEBWNL SSE2BWNL	9	9	50-290 (110)	25	31.1	18	12	M2.6 x 2.5	20.1	7	0.3	12.5	12	2.5	14	5.5	5.2	0.5	3.5 x 6 x 3.2		30	10
	12	12		30	38	21	12	M2.6 x 3	27	9	0.3	15	12	2.5	18	6	7.5	0.5	3.5 x 6 x 4.5		30	10
	14	14	70-470 (150)	40	44.3	28	15	M3 x 3.5	30.1	11	0.5	20	15	3.5	24	8	8	0.5	4.5 x 8 x 4.5		40	15
	16	16	70-670 (190)	60	55	45	20	M4 x 4.5	40	13	0.5	30	20	4	42	9	9.5	0.5	4.5 x 8 x 4.5		40	15

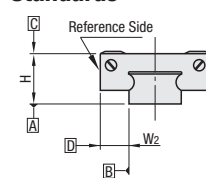
L Dimension: Dimensions in () are for the minimum rail length of the 2-Block Type

kgf=Nx0.101972

H	Basic Load Rating		Allowable Static Moment			Mass	
	C (Dynamic) kN	Co (Static) kN	M _a N·m	M _s N·m	M _c N·m	Blocks kg	Guide Rails kg/m
9	1.4	2.2	7.8	7.8	15.5	0.02	0.50
12	2.3	3.7	13.7	16.3	30.4	0.04	0.96
14	3.5	5.3	20.6	22.3	52.1	0.08	1.40
16	5.8	8.5	40.2	43.6	148	0.15	2.95



Preload & Accuracy Standards



Specifications	Light Preload High Grade
Radial Clearance	-3~0
Height H Tolerance	±20
Height H Pair Variation	15
Width W ₂ Tolerance	±25
Width W ₂ Pair Variation	20
Running Parallelism of surf. C against surf. A	Refer to P.602
Running Parallelism of surf. D against surf. B	

Miniature Linear Guides (Wide Rails Standard Block with Dowel Holes)

Light Preload, continued

Part Number Example

Part Number - L

SSEBWN12 - 200
 SSEBWN12L - 200 L Type Greased
 SSEBWN12G - 200 G Type Greased

Alternative grease types available.

Part Number Alterations

Part Number - L - (MC / RLC / LLC)

SSE2BWNL16 - 450 - MC

Alterations	Code	Spec.												
Tapped Holes	MC	Changes rail mounting holes from counterbored holes to tapped holes. <table border="1"> <tr><th>H</th><th>MC</th></tr> <tr><td>9</td><td>M4</td></tr> <tr><td>12</td><td></td></tr> <tr><td>14</td><td>M5</td></tr> <tr><td>16</td><td></td></tr> </table>	H	MC	9	M4	12		14	M5	16			
H	MC													
9	M4													
12														
14	M5													
16														
Rail Ends Cut	Left End Cut LLC Right End Cut RLC	Cuts rail ends. Ordering Code: LLC <table border="1"> <tr><th>H</th><th>L Cut</th><th>N</th></tr> <tr><td>9</td><td rowspan="4">5</td><td>5</td></tr> <tr><td>12</td><td></td></tr> <tr><td>14</td><td></td></tr> <tr><td>16</td><td>10</td></tr> </table> <ul style="list-style-type: none"> Applicable to Selectable Type only. Overall length will be shorter by cutting. Not applicable to L dimension 70 or less. 	H	L Cut	N	9	5	5	12		14		16	10
H	L Cut	N												
9	5	5												
12														
14														
16		10												
3-Block Specifications	B3	Adds 2-blocks to the 1-block product. There are restrictions for the L dimension length. See "Selectable Shortest Rail Length" for details. Selection Example: SSEBWN9-200-B3												
4-Block Specifications	B4	Adds 3-blocks to the 1-block product. There are restrictions for the L dimension length. See "Selectable Shortest Rail Length" for details. Selection Example: SSEBWN14-420-B4												

Selectable Shortest Rail Length for B3/B4

H	B3 (3-block)	B4 (4-block)
9	140	170
12	140	200
14	190	230
16	230	270

Options for Linear Guide

Positioning Retaining Parts	Block / Rail Fixing Parts
	Rail Push Plates
Rail Height Adjusting Blocks 	Linear Lock
Rail Height Adjusting Blocks 	Linear Guide Lock Units
Stopper Bolts 	

Application Example

