


Miniature Linear Guides (Standard Block)

Light Preload / Slight Clearance

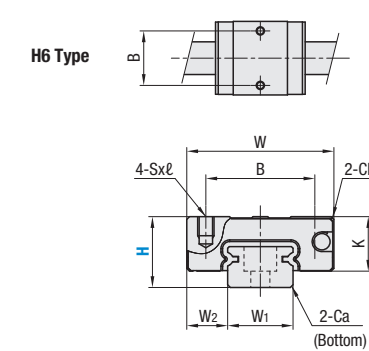
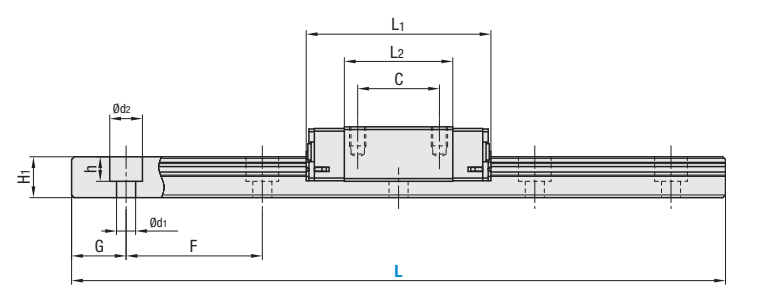
Similar Products Comparison Points

The most basic type among all the industry standard specifications. Select from Light Preload Types with superior precision and rigidity.



Material Hardness	Type			MX (Lubrication Unit)	L Dimension	Number of Blocks
	Light Preload		Slight Clearance			
	High Grade	Precision Grade	Standard Grade			
Stainless Steel 56 HRC min.	SSEB	SE2BL	SSEBZ	Blank: None -MX: Provided	Selectable	1
	SSE2B	SSE2BV	SSE2BZ			2
	SSEBL	SSEBLV	SSEBLZ		Configurable	1
	SSE2BL	SSE2BLV	SSE2BLZ			2

Heat Resistant Temperature: -20~80°C
 Ⓢ For L Configurable, G dimensions differ from those shown in the table below. For details, P.608.
 Ⓢ H6 has no standard grade / precision grade.

Precautions for Use

- Ⓢ Blocks are equipped with retainers (wire) to prevent balls from falling out. For proper block handling, refer to P.602.
- Ⓢ Radial clearances and accuracies are not guaranteed if the blocks and rails are interchanged from the original set combinations.
- Ⓢ Straight grooves are provided on datum planes. Be sure to match the datum lines when using.
- Ⓢ Rails cannot be connected end to end.
- Ⓢ The accuracy of Linear Guides is guaranteed after mounting the rail (after fastening screws on the rail and pushing it onto the datum plane). Minor bending of the rail will be adjusted after being mounted and will not affect the performance.

Accessories

- H6 comes with Number 0, Class 1 Phillips button head screws (M2x6).
- H8 comes with cap screws (M2x6).

Others

- Filled with Lithium soap based grease (Multemp Grease PS2 by Kyodo Yushi Co., Ltd.).
- For operating life calculations, please refer to P.604, or by using our free software at http://www.misumiusa.com/lg-bs_software/

Part Number		MX	H	L	Block Dimensions							Guide Rail Dimensions						
Type					W	L ₁	B	C	S x ℓ	L ₂	K	Cb	W ₁	W ₂	H ₁	Ca	Counterbored Holes d ₁ x d ₂ x h	F
SSEB SSEBV SSEBZ SSE2B SSE2BV SSE2BZ SSEBL SSEBLV SSEBLZ SSE2BL SSE2BLV SSE2BLZ	—	6	25-100 (70)	12	17.4	8	—	M2 x 1.5	9.7	4.5	0.3	5	3.5	4	0.3	2.4 x 3.5 x 1	15	5
		8	40-130 (70)	17	23.6	12	8	M2 x 2.5	13.6	6.5	0.3	7	5	4.7	0.3	2.4 x 4.2 x 2.3	15	5
	Blank: None -MX: Provided	10	35-275 (75)	20	30	15	10	M3 x 3	19	7.8	0.3	9	5.5	5.5	0.3	3.5 x 6 x 3.5	20	7.5
		13	45-470 (95)	27	33.9	20	15	M3 x 3.5	19.9	10	0.5	12	7.5	7.5	0.5	3.5 x 6 x 4.5	25	10
		16	70-670 (110)	32	42.4	25	20	M3 x 4	27.4	12	0.5	15	8.5	9.5	0.5	3.5 x 6 x 4.5	40	15
		20	100-700 (160)	40	50	30	25	M4 x 6	34.6	15	0.5	20	10	11	0.5	6 x 9.5 x 5.5	60	20

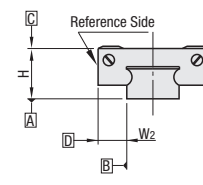
- Ⓢ L Dimension: Dimensions in () are for the minimum rail length of the 2-Block Type
- Ⓢ For High Grade, the available lengths are the following H8: 145-265, H10: 295-355, H13: 495-720.

$$kgf = N \times 0.101972$$

H	Basic Load Rating		Allowable Static Moment			Mass	
	C (Dynamic) kN	Co (Static) kN	M _A N·m	M _B N·m	M _C N·m	Blocks kg	Guide Rails kg/m
6	0.3	0.6	0.8	0.8	1.5	0.004	0.13
8	0.9	1.5	4.1	4.1	5.2	0.01	0.19
10	1.5	2.5	5.1	5.1	10.2	0.02	0.31
13	2.2	3.3	8.8	9.5	16.1	0.04	0.61
16	3.6	5.4	21.6	23.4	39.6	0.06	1.02
20	5.2	8.5	48.4	48.4	86.4	0.12	1.65



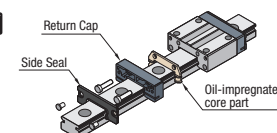
Preload & Accuracy Standards



Specifications	Light Preload High Grade	Light Preload Precision Grade	Slight Clearance Standard Grade
Radial Clearance	-3-0		
Height H Tolerance	±20	±10	±20
Height H Pair Variation	15	7	40
Width W ₂ Tolerance	±25	±15	±25
Width W ₂ Pair Variation	20	10	40
Running Parallelism of surf. C against surf. A	Refer to P.602		
Running Parallelism of surf. D against surf. B			

- Ⓢ Slight Clearance Type has clearance (Gap) between rails and blocks. If precision / rigidity is required, select Light Preload Type.

Lubrication Unit MX



Miniature Linear Guides (Standard Block)

Light Preload / Slight Clearance, *continued*

Part Number Example

Part Number - L

- SSEB10 - 275
- RSEBL10 - 70 Low Temperature Black Chrome Plating
- SSEBL10L - 70 L Type Greased
- SSEBL10G - 70 G Type Greased

Low Temperature Black Chrome Plating and various Grease types available as alternative.

Part Number Alterations

Part Number - L - (MC / RLC / LLC / WC)

SSEB16 - 430 - RLC

Alterations	Code	Spec.														
Tapped Holes	MC	Changes rail mounting holes from counterbored holes to tapped holes. <table border="1"> <tr><th>H</th><th>MC</th></tr> <tr><td>6</td><td>M2.6</td></tr> <tr><td>8</td><td>M3</td></tr> <tr><td>10</td><td>M4</td></tr> <tr><td>13</td><td>M5</td></tr> <tr><td>16</td><td>M5</td></tr> <tr><td>20</td><td>M6</td></tr> </table>	H	MC	6	M2.6	8	M3	10	M4	13	M5	16	M5	20	M6
H	MC															
6	M2.6															
8	M3															
10	M4															
13	M5															
16	M5															
20	M6															
Rail Ends Cut	Left End Cut LLC Right End Cut RLC	Cuts rail ends. Ordering Code: LLC <table border="1"> <tr><th>H</th><th>L Cut</th><th>N</th></tr> <tr><td>10</td><td>2.5</td><td>5</td></tr> <tr><td>13</td><td>5</td><td>5</td></tr> <tr><td>16</td><td>10</td><td>5</td></tr> </table> <ul style="list-style-type: none"> Ⓢ Applicable to Selectable Type only. Ⓢ Overall length will be shorter by cutting. Ⓢ Not applicable to H6, 8, 20. Ⓢ Not applicable to L35 of H10 and L45 of H13. 	H	L Cut	N	10	2.5	5	13	5	5	16	10	5		
H	L Cut	N														
10	2.5	5														
13	5	5														
16	10	5														
Parallel Use of 2 Rails	WC	Pair variation of Height H between 2 rails is set within 15µm. Rails are shipped in pairs. <ul style="list-style-type: none"> Ⓢ Must be ordered in quantities of 2. Ⓢ Applicable to High Grade Type only. Ⓢ Not applicable to low temperature chrome plated products. 														
3-Block Specifications	B3	Adds 2-blocks to the 1-block product. <ul style="list-style-type: none"> Ⓢ There are restrictions for the L dimension length. See "Selectable Shortest Rail Length" for details. Selection Example: SSEB10-255-B3 														
4-Block Specifications	B4	Adds 3-blocks to the 1-block product. <ul style="list-style-type: none"> Ⓢ There are restrictions for the L dimension length. See "Selectable Shortest Rail Length" for details. Selection Example: SSEB16-670-B4 														

Selectable Shortest Rail Length for B3/B4

H	B3 (3-block)	B4 (4-block)
6	85	—
8	85	115
10	115	155
13	145	170
16	190	230
20	220	280