

Single Axis Actuators LX15

Standard and Cover Type



Misumi Patent

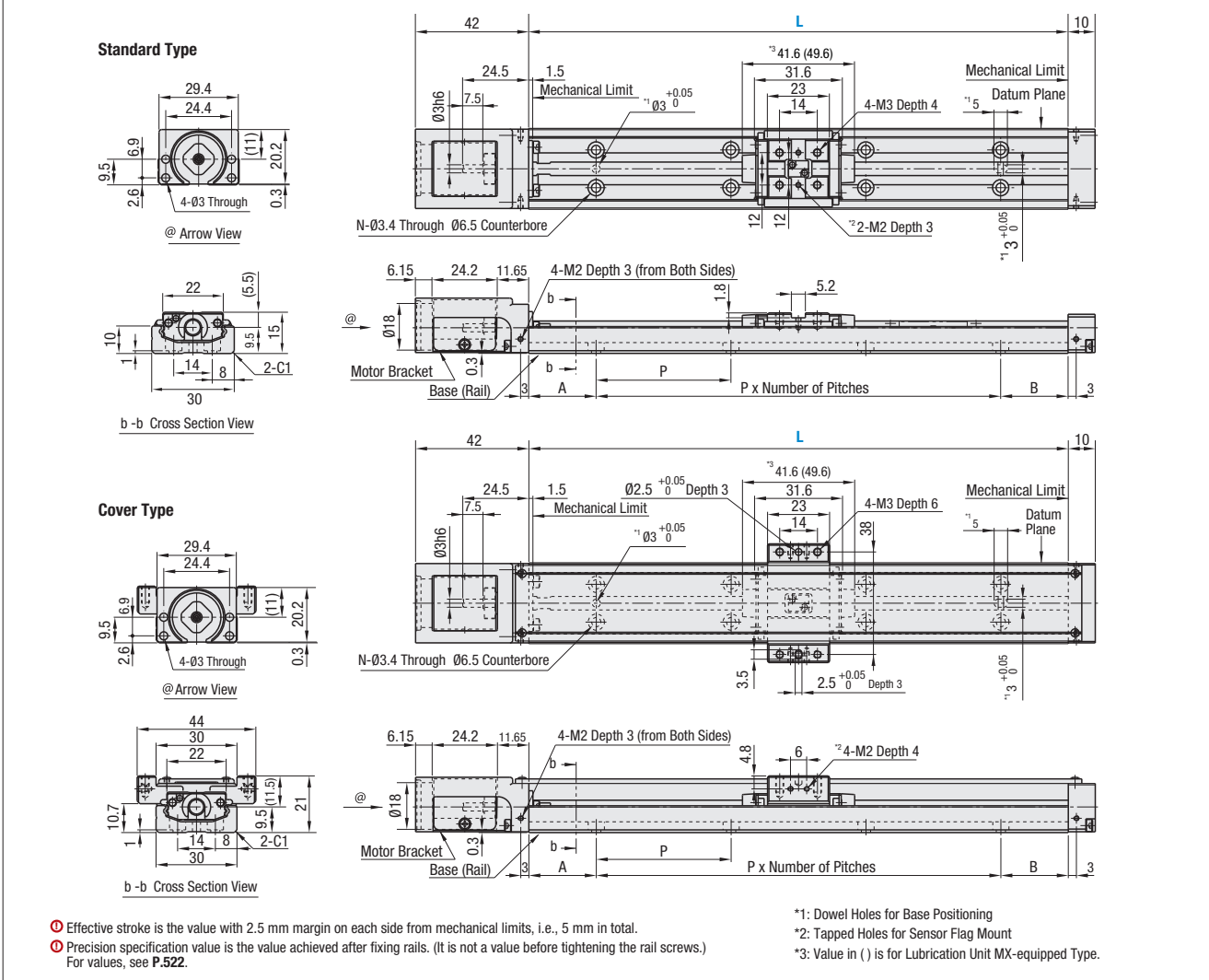
Standard Type Cover Type

RoHS10

Specifications	
LX15	
Standard	
Screw Shaft Diameter (mm)	5
Lead (mm)	2
Accuracy	High Grade / Precision Grade
Accessories	
(1) Motor Adapter Plate	
Material: 5052 Aluminum Alloy Surface Treatment: Black Anodize	
(2) Adapter Plate Screw 2 pcs.	
Material: Stainless Steel XM7	

Part Number	Standard Grease		Low Particulate Generation Grease		Lubrication Unit MX-Equipped (Standard Grease)	
	High Grade	Precision Grade	High Grade	Precision Grade	High Grade	Precision Grade
Lead 2	LX1502 (C)	LX1502 (C) P	LX1502 (C) G	LX1502 (C) PG	LX1502 (C) -MX	LX1502 (C) P-MX

(C) is for Cover Type. (P) Low Dust Generation Grease Information P.523. (MX) Lubrication Unit MX Information P.519.



Part Number	Block Qty.	Motor Adapter Plates	Base Length (L)	* Effective Stroke		Total Mass (kg)		Mounting Hole Dimensions					
				High Grade	*Precision Grade	B1	MX-Equipped (B1)	Standard	Cover	A	P	B	No. of Pitches
Standard Grease LX1502 (C)	1 pc.	B1	75	26.9	—	0.13	0.18	12.5	—	—	12.5	1	4
Standard Grease LX1502 (C) P			100	51.9	43.9	0.17	0.22	25	—	—	25	—	—
Low Dust Generation Grease LX1502 (C) G			125	76.9	68.9	0.22	0.28	12.5	—	—	12.5	2	6
Low Dust Generation Grease LX1502 (C) PG			150	101.9	93.9	0.29	0.35	25	—	—	25	—	—
Lubrication Unit MX-Equipped, Standard Grease LX1502 (C) -MX			175	126.9	118.9	0.35	0.41	12.5	—	—	12.5	3	8
Lubrication Unit MX-Equipped, Standard Grease LX1502 (C) P-MX			200	151.9	143.9	0.38	0.45	25	—	—	25	—	—

* Precision Certificate is enclosed with precision grade products. * Motor adapter plate and mounting screws are not included with No Adapter Plate Type. * Effective stroke is indicated in dimensions with a margin of 2.5 mm each from the ends. * (C) is for Cover Type. * 0.002 kg will be added to MX-equipped types

Single Axis Actuators LX15

Standard and Cover Type, continued

For Single Axis Actuator LX Series selections, please use our 2D and 3D CAD data and Technical Calculation Software (free of charge). <http://www.misumiusa.com/lx-actuator/>

A1525
Servo
25 Sq.

ST1528
Stepping
28 Sq.
NEMA 11

A1528
Servo
28 Sq.

UT1542
Stepping
42 Sq.
NEMA 17

T1528
Stepping
28 Sq.
NEMA 11

ST1542
Stepping
42 Sq.
NEMA 17

Note: The Motor Adapter protrudes beyond the rail at * marked area.

Accuracy Standards

Accuracy Standards	High Grade	Precision Grade
Positioning (mm)	0.04	0.02
Backlash (mm)	0.01	0.002
Positioning Repeatability (mm)	±0.004	±0.003
Running Parallelism (mm)	0.02	0.01
Starting Torque (N*cm)	0.8	0.8

For Max. Velocity, see P.522.
For Moment of Inertia, see P.521.

Part Number Example

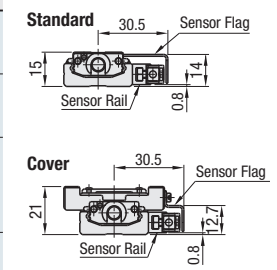
Part Number - Block Qty. - Motor Adapter Plates - Base Length (L)
LX1502C-MX - B1 - A1525 - 100

Part Number Alterations

Part Number - Block Qty. - Motor Adapter Plates - Base Length (L) - (Code)
LX1502 - B1 - A1525 - 100 - XW1

LX Part Number	Code (# is Sensor Qty.) *For L≤100, Max 2 For L≥125, Max. 3	Sensor Qty.		Sensor Rail		Sensor (*Qty per Sensor Included)	Sensor Flag					
		GX-F8A (ON when near)	GX-F8B (ON when away)	Rail (1 pc.)	Mounting Screw (Pitch + 1pc.)		Sensor Mounting Screw (1 pc.)	Sensor Flag (1 pc.)	Sensor Flag Mounting Screw			
LX1502	XA_	—	—	Dedicated	Phillips Flat Head Screw M2-4 (2 pcs.)	CSST3-10	Dedicated	Pan Head Screw M2-3 (1 pc.)				
	XB_	—	—					Hex Socket Head Cap Screw M2-4 (2 pcs.)				
LX1502C	FA_	—	—					1 pc.	2 pcs.	1 pc.	Pan Head Screw M2-3 (1 pc.)	
	FB_	—	—								Hex Socket Head Cap Screw M2-4 (2 pcs.)	
LX1502	XW1	1 pc.	1 pc.					2 pcs.	1 pc.	2 pcs.	1 pc.	Pan Head Screw M2-3 (1 pc.)
	XW2	—	—									Hex Socket Head Cap Screw M2-4 (2 pcs.)
	XW3	—	—	Hex Socket Head Cap Screw M2-4 (2 pcs.)								
LX1502C	FW1	1 pc.	1 pc.	2 pcs.	1 pc.	2 pcs.	1 pc.	Pan Head Screw M2-3 (1 pc.)				
	FW2	—	—					Hex Socket Head Cap Screw M2-4 (2 pcs.)				
	FW3	—	—					Hex Socket Head Cap Screw M2-4 (2 pcs.)				

Proximity Sensor Installation Drawing



The sensor can also be installed on the opposite side.

*Sensors are not sold separately.