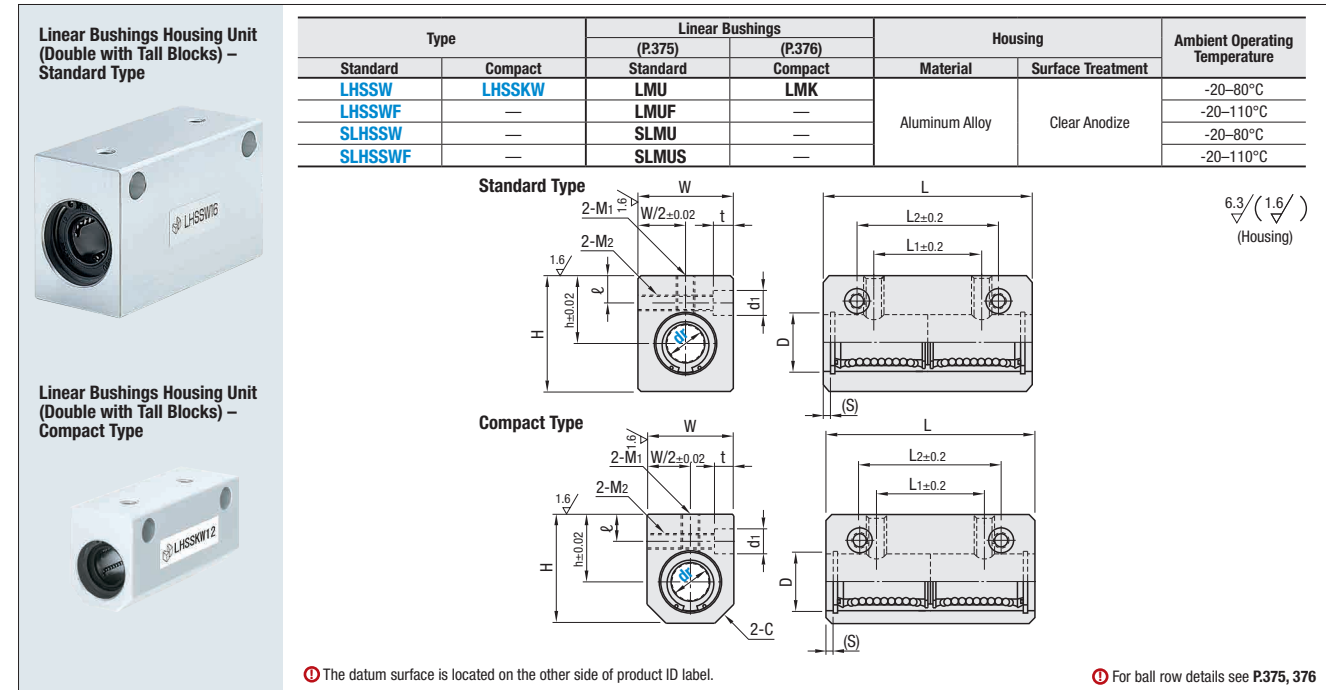


Linear Bushings Housing Unit (Double with Tall Blocks)

Standard / Compact Type



The datum surface is located on the other side of product ID label. For ball row details see P.375, 376

Features: Compact Type: Max. 6mm lower in height (H dimension) and Max. 3mm smaller in width (W dimension) than Standard Type. (Compact and Standard type comparison chart) P.376

| dr | Tol. | D | | (S) | L | L ₁ | L ₂ | h | | W | | H | | ℓ | M ₁ (Effective Length) | | M ₂ (Effective Length) | | C | C ₁ | d ₁ x t |
|----|--------|----------|---------|-----|-----|----------------|----------------|----------|---------|----------|---------|----------|---------|---|--------------------------------------|----------|--------------------------------------|---------|-----------|----------------|------------------------------|
| | | Standard | Compact | | | | | Standard | Compact | Standard | Compact | Standard | Compact | | Standard | Compact | Standard | Compact | | | |
| 4 | 0 | 8 | — | 1.1 | 27 | 14 | 22 | 10 | — | 12 | — | 16 | — | 3 | M3 (6) | — | — | — | -0.5 | — | 4.2 x 1.5 (For M2 Screws) |
| 5 | -0.008 | 10 | — | 4.0 | 40 | 18 | 28 | 13 | — | 15 | — | 20 | — | — | M4 (10) | — | — | — | 1 | — | 6 x 5 (For M3 Screws) |
| 6 | 0 | 12 | 10 | 3.0 | 46 | 20 | 30 | 14 | 13 | 16 | 14 | 22 | 20 | 5 | M4 (8) | M4 (11) | M4 (9) | 4 | 1 or less | — | 8 x 6 (For M4 Screws) |
| 8 | 0 | 15 | 13 | — | 56 | 30 | 42 | 16 | 15 | 20 | 17 | 26 | 24 | 5 | M5 (8.5) | M5 (8.5) | M4 (15) | M4 (12) | 5 | 1 or less | — |
| 10 | 0 | 19 | 17 | — | 68 | 36 | 50 | 19 | 18 | 26 | 23 | 32 | 30 | 6 | M6 (9.5) | M6 (9.5) | M5 (20) | M5 (17) | 6 | 1 or less | — |
| 12 | -0.010 | 21 | 19 | 4.0 | 70 | 36 | 50 | 20 | 19 | 28 | 25 | 34 | 32 | 6 | M6 (9.5) | M6 (9.5) | M5 (22) | M5 (19) | 6 | 1 or less | — |
| 13 | 0 | 23 | — | — | 74 | 42 | 55 | 25 | — | 30 | — | 43 | — | 7 | M6 (13) | — | M6 (23) | — | 1 | — | 9 x 7 (For M5 Bolt) |
| 16 | 0 | 28 | 26 | 3.8 | 84 | 52 | 65 | 27 | 26 | 36 | 33 | 49 | 43 | 7 | M6 (13) | M6 (13) | M6 (29) | M6 (26) | 8 | 1 or less | — |
| 20 | 0 | 32 | — | — | 94 | 58 | 70 | 31 | — | 42 | — | 54 | — | 8 | M8 (15) | — | M8 (34) | — | 1 | — | 11 x 8 (For M6 Screws) |
| 25 | 0 | 40 | — | — | 128 | 80 | 100 | 37 | — | 52 | — | 65 | — | 9 | M10 (17) | — | M10 (42) | — | 1 | — | 14 x 10 (For M8 Screws) |
| 30 | -0.012 | 45 | — | 3.2 | 138 | 90 | 110 | 40 | — | 58 | — | 71 | — | 9 | M10 (17.5) | — | M10 (48) | — | 1 | — | — |

For Precautions for Use, see P.369. For linear bushings, hardened shafts with g6 tolerance are recommended. P.202-288
 Only dr dimensions in () are available for Compact Type. The datum surface is located on the other side of product ID label.
 Make certain that the screws do not interfere with the bushing as M₁ are through holes.

| Part Number | Available Types | | | | | | | |
|-------------|-----------------|----|-------|--------|--------|---------|---------|--------|
| | Type | dr | LHSSW | LHSSWF | SLHSSW | SLHSSWF | Compact | LHSSKW |
| (Standard) | 4 | • | • | • | • | • | • | • |
| (Standard) | 5 | • | • | • | • | • | • | • |
| (Standard) | 6 | • | • | • | • | • | • | • |
| (Standard) | 8 | • | • | • | • | • | • | • |
| (Standard) | 10 | • | • | • | • | • | • | • |
| (Standard) | 12 | • | • | • | • | • | • | • |
| (Standard) | 13 | • | • | • | • | • | • | • |
| (Compact) | 16 | • | • | • | • | • | • | • |
| (Compact) | 20 | • | • | • | • | • | • | • |
| (Compact) | 25 | • | • | • | • | • | • | • |
| (Compact) | 30 | • | • | • | • | • | • | • |

kgf=Nx0.101972

| dr | Basic Load Rating | | | | Allowable Static Moment (N·m) | | Mass(g) | |
|----|-------------------|-----|---------------|------|-------------------------------|---------|----------|---------|
| | C (Dynamic) N | | Co (Static) N | | Standard | Compact | Standard | Compact |
| 4 | 176 | — | 254 | — | 0.63 | — | 14 | — |
| 5 | 263 | — | 412 | — | 1.38 | — | 35 | — |
| 6 | 324 | 206 | 529 | 309 | 2.18 | 2.46 | 40 | 34 |
| 8 | 431 | 383 | 784 | 555 | 4.31 | 5.76 | 75 | 60 |
| 10 | 588 | 585 | 1100 | 867 | 7.24 | 10.99 | 150 | 126 |
| 12 | 657 | 608 | 1200 | 899 | 10.9 | 11.85 | 168 | 150 |
| 13 | 813 | — | 1570 | — | 11.6 | — | 248 | — |
| 16 | 1230 | 965 | 2350 | 1431 | 19.7 | 23.48 | 383 | 296 |
| 20 | 1400 | — | 2740 | — | 26.8 | — | 520 | — |
| 25 | 1560 | — | 3140 | — | 43.4 | — | 1120 | — |
| 30 | 2490 | — | 5490 | — | 82.8 | — | 1384 | — |

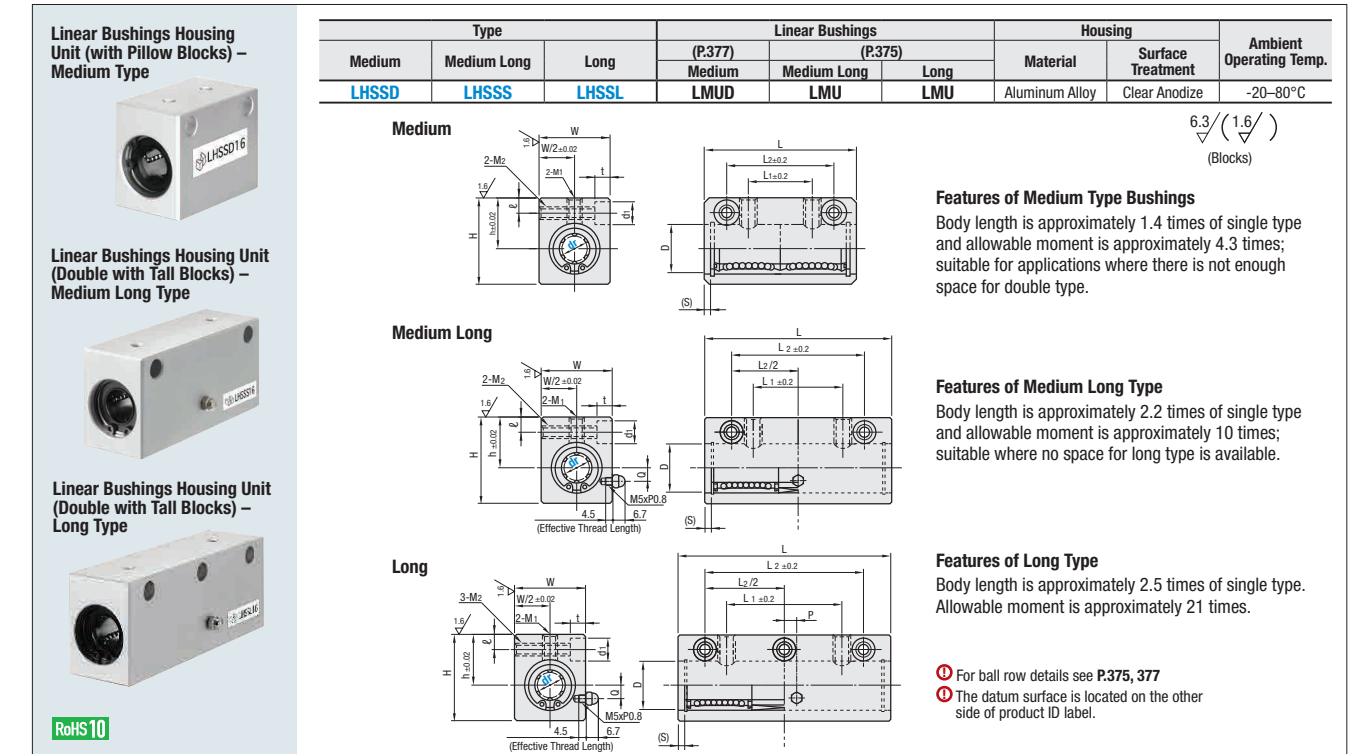
Part Number Example

Part Number
 LHSSW12 (L Type Greased)
 LHSSW12L (L Type Greased)
 LHSSW12G (G Type Greased)
 LHSSW12H (H Type Greased)

Alternative grease types available.

Linear Bushing Housing Units (with Pillow Blocks / Double with Tall Blocks)

Medium / Medium Long / Long Type



Features of Medium Type Bushings
 Body length is approximately 1.4 times of single type and allowable moment is approximately 4.3 times; suitable for applications where there is not enough space for double type.

Features of Medium Long Type
 Body length is approximately 2.2 times of single type and allowable moment is approximately 10 times; suitable where no space for long type is available.

Features of Long Type
 Body length is approximately 2.5 times of single type. Allowable moment is approximately 21 times.

For ball row details see P.375, 377
 The datum surface is located on the other side of product ID label.

| Type | dr | Part Number | | | D | (S) | L | | | L ₁ | | | L ₂ | | | h | W | H | ℓ | Q | P | M ₁ (Effective Length) | M ₂ (Effective Length) | d ₁ x t | C |
|-------------------|-----|-------------|-------------|--------|----|-----|--------|-------------|------|----------------|-------------|------|----------------|-------------|------|----|----|----|---|-----|------------|--------------------------------------|--------------------------------------|--------------------|---|
| | | Medium | Medium Long | Long | | | Medium | Medium Long | Long | Medium | Medium Long | Long | Medium | Medium Long | Long | | | | | | | | | | |
| Medium LHSSD | (6) | — | — | — | 12 | 3 | 37 | — | — | 14 | — | 24 | — | — | 14 | 16 | 22 | — | — | — | M4 (8) | M4 (11) | 6 x 5 | 1 | |
| | 8 | — | — | — | 15 | 3 | 45 | — | — | 20 | — | 48 | 32 | — | 60 | 16 | 20 | 26 | — | 5 | M5 (8.5) | M4 (15) | (For M3 Screws) | | |
| | 10 | 0 | — | -0.012 | 19 | 3 | 57 | 80 | — | 25 | — | 58 | — | — | 72 | 19 | 26 | 32 | — | 7 | M6 (9.5) | M5 (20) | 8 x 6 | | |
| | 12 | -0.01 | — | — | 21 | 4 | 66 | 85 | 100 | 25 | — | 62 | 40 | — | 62 | 20 | 28 | 34 | — | 7 | M6 (13) | M5 (22) | (For M4 Screws) | | |
| | 13 | 0 | -0.015 | -0.015 | 23 | 4 | 75 | 106 | — | — | — | 64 | — | — | 80 | 25 | 30 | 43 | — | 7.5 | M6 (13) | M6 (23) | 9 x 7 | | |
| Medium Long LHSSS | 16 | — | — | — | 28 | 3.8 | 86 | 100 | 121 | 30 | 62 | 74 | 46 | 78 | 90 | 27 | 36 | 49 | — | 7 | M6 (13) | M6 (29) | (For M5 Bolt) | 1 | |
| | 20 | — | — | — | 32 | 3.8 | 93 | 115 | 136 | 34 | 68 | 82 | 52 | 88 | 102 | 31 | 42 | 54 | 8 | 8 | M8 (15) | M8 (34) | 11 x 8 | | |
| | 25 | 0 | -0.018 | -0.018 | 40 | 3.2 | 100 | 160 | 187 | 42 | 96 | 116 | 66 | 120 | 140 | 37 | 52 | 65 | — | 9 | M10 (17) | M10 (42) | 14 x 10 | | |
| Long LHSSL | 30 | — | — | — | 45 | 3.2 | 100 | 170 | 202 | 42 | 106 | 128 | 66 | 130 | 152 | 40 | 58 | 71 | — | 9 | M10 (17.5) | M10 (48) | (For M8 Screws) | 2 or less | |

For Precautions for Use, see P.369. For linear bushings, hardened shafts with g6 tolerance are recommended. P.202-288
 Grease fitting not available on Long Type dr8. dr () is only available in Medium Type, only sizes with * are available for Medium Long Type.
 Make certain that the screws do not interfere with the bushing as M₁ are through holes. The datum surface is located on the other side of product ID label.

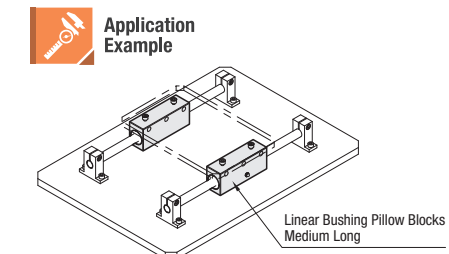
| dr | Basic Load Rating | | | | | | Allowable Static Moment (N·m) | | | | | | Mass(g) | | |
|----|-------------------|------|---|---------------|------|---|-------------------------------|------|-------------|-----|------|---|---------|-------------|------|
| | C (Dynamic) N | | | Co (Static) N | | | Medium | | Medium Long | | Long | | Medium | Medium Long | Long |
| 6 | 226 | — | — | 310 | — | — | 1.42 | — | 8.2 | 31 | — | — | — | — | — |
| 8 | 310 | — | — | 431 | — | — | 2.12 | — | 16.0 | 60 | — | — | 126 | — | — |
| 10 | 508 | — | — | 588 | — | — | 4.37 | — | 27.0 | 121 | — | — | 233 | — | — |
| 12 | 634 | 657 | — | 814 | 1200 | — | 6.2 | 12.0 | 40.1 | 124 | 232 | — | 278 | — | — |
| 13 | 640 | — | — | 826 | — | — | 6.2 | — | 42.9 | 186 | — | — | 376 | — | — |
| 16 | 1164 | 1230 | — | 1448 | 2350 | — | 13.1 | 25.5 | 73.5 | 296 | 472 | — | 569 | — | — |
| 20 | 1554 | 1400 | — | 2068 | 2740 | — | 18.3 | 35.0 | 98.0 | 403 | 671 | — | 788 | — | — |
| 25 | 1725 | 1560 | — | 3068 | 3140 | — | 25.3 | 63.1 | 157 | 843 | 1443 | — | 1653 | — | — |
| 30 | 2440 | 2490 | — | 3974 | 5490 | — | 42.7 | 106 | 297 | 979 | 1748 | — | 2041 | — | — |

kgf=Nx0.101972

Part Number Example

Part Number
 LHSSD16 (L Type Greased)
 LHSSD12L (G Type Greased)
 LHSSD16G (G Type Greased)
 LHSSD20H (H Type Greased)

Alternative grease types available.



Linear Bushing Pillow Blocks Medium Long