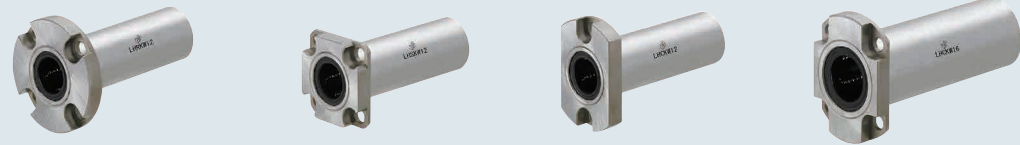


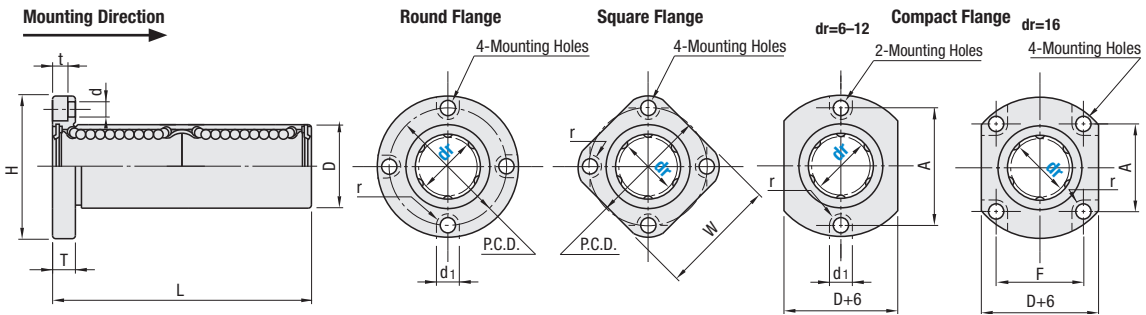
Flanged Linear Bushings (Double)

Compact Type

Flanged Linear Bushings (Double) – Compact Type



Type			Outer Cylinder			Balls	Retainer	Ambient Operating Temp.	Accessories
Round Flange	Square Flange	Compact Flange	Material	Hardness	Surface Treatment	Material	Material		
LHRKW	LHSKW	LHCKW	52100 Bearing Steel Equivalent	58 HRC min.	—	52100 Bearing Steel	Plastic (Duracon M90 Equivalent)	-20~80°C	Seal Material Nitrile Rubber (-20~120°C)
LHRKWM	LHSKWM	LHCKWM							



kgf=Nx0.101972

dr	Tol.	D Tolerance		L Tol.	H	T	d	d ₁	t	r	P.C.D.	W	F	A	Eccentricity	Rows of Balls	*Perpendicularity	Basic Load Rating			Mass (g)		
		No Surface Treatment	Surface Treatment															C (Dynamic) N	Co (Static) N	Allowable Static Moment (Nm)	Round Flange	Square Flange	Compact Flange
6	0	10	0	35	25	5	3.5	6	3.1	3	19	20	—	19	0.015	6	0.015	206	309	2.46	24	20	21
8	0	13	0	45	28	—	—	—	—	—	22	23	—	22				383	555	5.76	38	34	35
10	-0.01	17	-0.013	55	35	—	—	—	—	—	27	27	—	27				585	867	10.99	79	68	73
12	0	19	0	57	38	6	4.5	7.5	4.1	3.75	30	29	—	30				608	899	11.85	95	82	87
16	0	26	-0.016	70	44	—	—	—	—	—	36	34	24	27	965	1431	23.48	154	135	141			

For linear bushings, hardened shafts with g6 tolerance are recommended. P.202-288
*Perpendicularity of D part to flange mounting surface

Part Number Example

Part Number	Part Number
LHRKW12	(L Type Greased)
LHRKW12L	(L Type Greased)
LHRKW12G	(G Type Greased)
LHRKW12H	(H Type Greased)

Alternative grease types available.

Linear Bushings (Double) / Mini-Flanged Linear Bushings

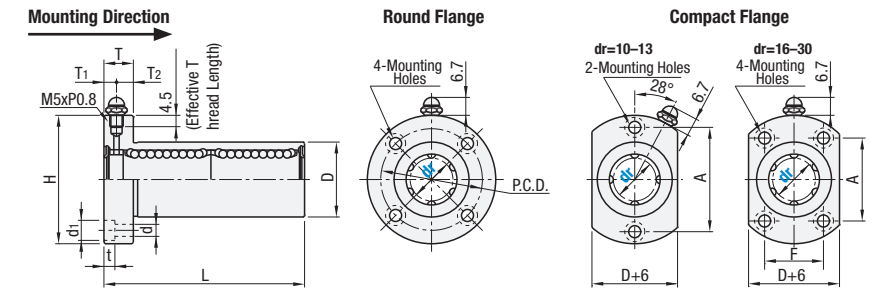
with Grease Fitting

Flanged Linear Bushings (Double) – with Grease Fitting



RoHS 10

Type		Outer Cylinder			Balls	Retainer	Ambient Operating Temp.	Accessories
Round Flange	Compact Flange	Material	Hardness	Surface Treatment	Material	Material		
LHQRW	LHQCW	52100 Bearing Steel	58 HRC min.	—	52100 Bearing Steel	Plastic (Duracon M90 Equivalent)	-20~80°C	Seal Material Nitrile Rubber (-20~120°C)



Compared to Flanged Linear Bushings Double Standard Type, T and L dimensions are larger but mounting dimensions are the same.

Part Number	Type	dr	Tol.	D		L	H	T	T ₁	T ₂	d	d ₁	t	P.C.D.	F	A	Eccentricity	Rows of Balls	*Perpendicularity	Basic Load Rating			Mass(g)		
				No Surface Treatment	Surface Treatment															C (Dynamic) N	Co (Static) N	Allowable Static Moment (N-m)	Round Flange	Square Flange	Compact Flange
LHQRW LHQCW	10	0	19	0	60	40	—	—	—	—	—	—	—	29	—	29	0.015	4	0.015	588	1100	7.24	139	120	
	12	0	21	0	62	42	—	—	—	—	—	—	—	32	—	32				657	1200	10.9	154	134	
	13	-0.010	23	-0.016	66	43	11	4.6	6.4	4.5	7.5	4.1	—	33	—	33				813	1570	11.6	175	157	
	16	0	28	0	75	48	—	—	—	—	—	—	—	38	22	31				1230	2350	19.7	245	225	
	20	0	32	0	85	54	—	—	—	—	—	—	—	43	24	36				1400	2740	26.8	318	290	
	25	0	40	0	117	62	13	5.5	7.5	5.5	9	5.1	—	51	32	40				1560	3140	43.4	626	594	
30	-0.012	45	-0.019	128	74	—	—	—	—	—	—	—	60	35	49	2490	5490	82.8	758	705					

For linear bushings, hardened shafts with g6 tolerance are recommended. P.202-288
After greasing, refuel grease by stroking bushings.
For Precautions for Use, see P.369. *Perpendicularity of D to flange mounting surface

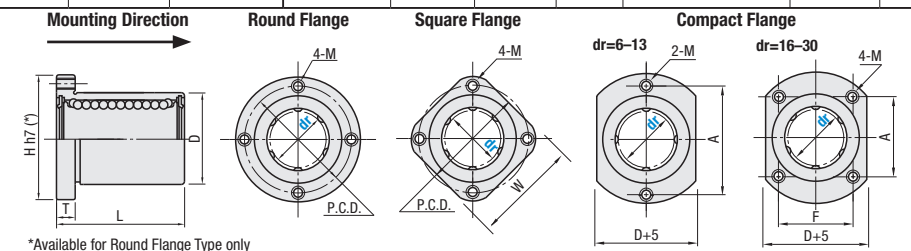
kgf=Nx0.101972

Mini-Flanged Linear Bushings



RoHS 10

Type			Outer Cylinder			Balls	Retainer	Ambient Operating Temp.	Accessories
Round Flange	Square Flange	Compact Flange	Material	Hardness	Surface Treatment	Material	Material		
LHTR	LHTS	LHTC	52100 Bearing Steel	58 HRC min.	—	52100 Bearing Steel	Plastic (Duracon M90 Equivalent)	-20~80°C	Seal Material: Nitrile Rubber (-20~120°C)
LHTRF	LHTSF	LHTCF							



*Available for Round Flange Type only

Part Number	Type	dr	Tol.	D		L	H	T	M	P.C.D.	W	F	A	Eccentricity	Rows of Balls	*Perpendicularity	Basic Load Rating			Mass(g)		
				No Surface Treatment	Surface Treatment												C (Dynamic) N	Co (Static) N	Allowable Static Moment (Nm)	Round Flange	Square Flange	Compact Flange
52100 Bearing Steel	6	0	12	0	19	23	5	M3	17	18	—	17	0.012	4	0.012	206	265	19	15	17		
	8	0	15	-0.013	24	27	—	—	21	21	—	21				265	380	30	25	27		
	LHTR	10	-0.009	19	0	29	34	—	—	26	26	—				26	372	549	61	50	53	
	LHTRF	12	0	21	0	30	37	6	M4	29	28	—				29	412	598	66	52	57	
Square Flange	LHTS	13	-0.016	23	-0.016	32	38	—	—	30	30	—	30	510	784	78	66	70				
	LHTSF	16	0	28	0	37	43	—	—	35	33	20	29	775	1180	108	90	99				
Compact Flange	LHTC	20	0	32	0	42	48	8	M5	39	37	22	32	882	1370	159	130	145				
	LHTCF	25	-0.010	40	0	59	56	—	—	47	45	27	39	980	1570	314	283	298				
	30	0	45	-0.019	64	66	10	M6	55	51	32	45	1570	2740	417	350	380					

For Precautions for Use, see P.369. For linear bushings, hardened shafts with g6 tolerance are recommended. P.202-288
*Perpendicularity of D to flange mounting surface

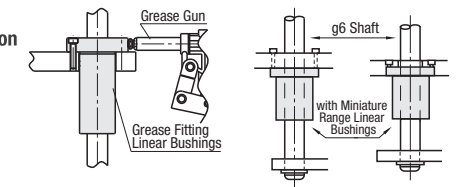
kgf=Nx0.101972

Part Number Example

Part Number	Part Number
LHRW16	(L Type Greased)
LHTR16	(L Type Greased)
LHRW10L	(L Type Greased)
LHRW10G	(G Type Greased)
LHQCW10H	(H Type Greased)

Alternative grease types available.

Application Example



Strength of Mini-Flanged Linear Bushings

Housing strength test has proven that these bushings are as capable of maintaining strength under moment load as conventional flanged linear bushings, or better.