

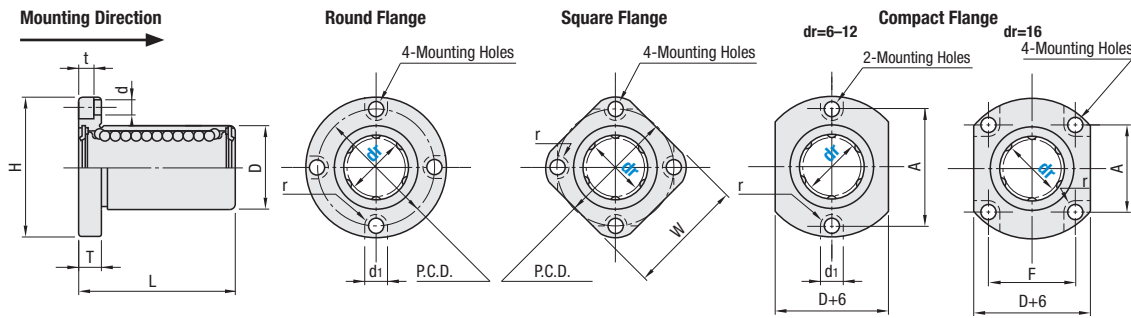
Flanged Linear Bushings (Single)

Compact Type / Single

Flanged Linear Bushings (Single) – Compact Type



Type			Outer Cylinder			Balls	Retainer	Ambient Operating Temp.	Accessories
Round Flange	Square Flange	Compact Flange	Material	Hardness	Surface Treatment	Material	Material		
LHRK	LHSK	LHCK	52100 Bearing Steel Equivalent	58 HRC min.	—	52100 Bearing Steel Equivalent	Plastic (Duracon M90 Equivalent)	-20~80°C	Seal Material Nitrile Rubber (-20~120°C)
LHRKM	LHSKM	LHCKM			Electroless Nickel Plating	440C Stainless Steel Equivalent			



kgf=Nx0.101972

dr	Tol.	D Tolerance		L Tol.	H	T	d	d ₁	t	r	P.C.D.	W	F	A	Eccentricity	Rows of Balls	*Perpendicularity	Basic Load Rating		Mass(g)		
		No Surface Treatment	Surface Treatment															C (Dynamic) N	Co (Static) N	Round Flange	Square Flange	Compact Flange
6	0	10	0	19	25	5	3.5	6	3.1	3	19	20	—	19	0.012	6	0.012	131	155	18	14	15
8	0	13	0	24	28	—	—	—	—	—	22	23	—	22	—	—	—	235	277	27	22	24
10	-0.009	17	-0.013	29	35	—	—	—	—	—	27	27	—	27	—	—	—	368	433	52	41	46
12	0	19	0	30	38	6	4.5	7.5	4.1	3.75	30	29	—	30	—	—	—	381	449	64	50	55
16	0	26	-0.016	37	44	—	—	—	—	—	36	34	24	27	—	—	—	608	716	96	77	83

Ⓢ For Precautions for Use, see P.369. Ⓢ For linear bushings, hardened shafts with g6 tolerance are recommended. P.202-288
*Perpendicularity of D part to flange mounting surface

Part Number Example

Part Number

- LHRK12 (L Type Greased)
- LHRK12L (G Type Greased)
- LHRK12G (H Type Greased)

Ⓢ Alternative grease types available.

Application Example

For two linear bushings of Compact type, their mounting plate is 6-10 mm smaller than that for Standard Type.

Flanged Linear Bushings Compact Type

Flanged Linear Bushings (Double)

Standard / Double Type / Opposite Counterbored Hole

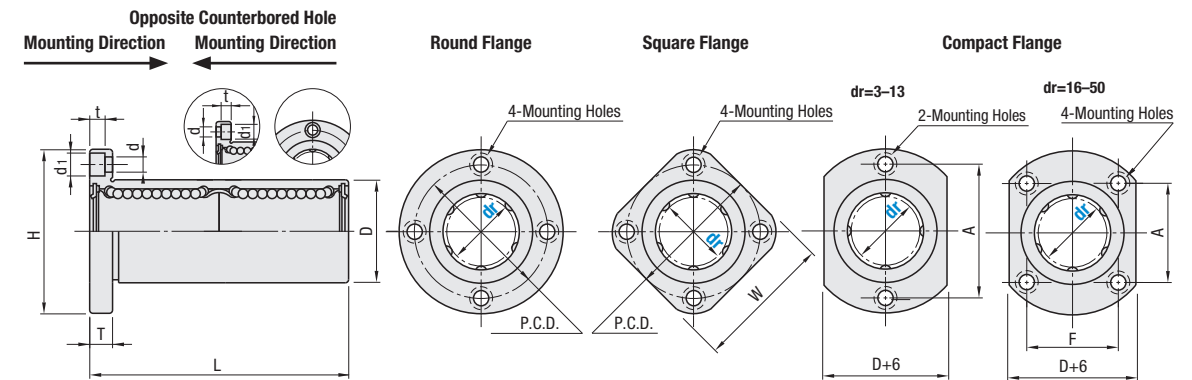
Ⓢ Flange Type Height-adjusting Spacers can be select from P.384.

Flanged Linear Bushings (Double) – Standard Type



RoHS 10

Counterbored Holes	Type			Outer Cylinder			Balls	Retainer	Ambient Operating Temp.	Accessories				
	Round Flange	Square Flange	Compact Flange	Material	Hardness	Surface Treatment	Material	Material						
Opposite Counterbored Hole	LHZRW	LHZSW	LHZCW	52100 Bearing Steel	58 HRC min.	—	52100 Bearing Steel	Plastic (Duracon M90 Equivalent)	-20~80°C	Seal Material Nitrile Rubber (-20~120°C)				
	LHFRW-N No Seal	LHFSW-N No Seal	LHFCW-N No Seal								Stainless Steel (JIS SUS)	-20~110°C		
	LHFRWF	LHFSWF	LHFCWF											
LHFRWR	LHFSWR	LHFCWR												
Standard Type	LHFRWM	LHFSWM	LHFCWM			440C Stainless Steel Equivalent		56 HRC min.	Low Temperature Black Chrome Plating		440C Stainless Steel Equivalent	Plastic (Duracon M90 Equivalent)	-20~80°C	Seal Material Nitrile Rubber (-20~120°C)
	LHFRWF	LHFSWF	LHFCWF											
	LHFRWMF	LHFSWMF	LHFCWMF											
	SLHFRW	SLHFSW	SLHFCW	—	-20~80°C									
	SLHFRWS	SLHFSWS	SLHFCWS				Plastic (Duracon M90 Equivalent)		-20~120°C					
	SLHFRWF	SLHFSWF	SLHFCWF											



Ⓢ Features of Low Temperature Black Chrome Plating see P.374. Ⓢ No seal for dr=3 and 4, LHFRW-N, LHFSW-N and LHFCW-N.
Ⓢ Reversed counterbored type can be botted from the reverse side.

kgf=Nx0.101972

dr	Tol.	D Tolerance		L Tol.	H	T	d	d ₁	t	P.C.D.	W	F	A	Eccentricity	Rows of Balls	Perpendicularity	Basic Load Rating		Allowable Static Moment Mo N·m	Mass(g)		
		No Surface Treatment	Surface Treatment														C (Dynamic) N	Co (Static) N		Round Flange	Square Flange	Compact Flange
3	0	7	0	19	19	3.5	2.5	4.5	2.1	13	15	—	13	0.010	4	0.010	138	210	0.51	8.7	7	7.7
4	0	8	-0.011	23	20	—	—	—	—	14	16	—	14	0.010	4	0.010	176	254	0.63	11	9	10
5	0	10	-0.015	28	25	—	—	—	—	17	20	—	17				263	412	1.38	24	20	21
6	0	12	0	35	28	5	3.5	6	3.1	20	22	—	20	0.015	4	0.015	324	529	2.18	31	25	28
8	0	15	-0.013	45	32	—	—	—	—	24	25	—	24				431	784	4.31	51	43	47
10	-0.010	19	0	55	40	—	—	—	—	29	30	—	29	0.015	4	0.015	588	1100	7.24	98	78	90
12	0	21	0	57	42	6	4.5	7.5	4.1	32	32	—	32				657	1200	10.9	110	90	102
13	0	23	-0.016	61	43	—	—	—	—	33	34	—	33	0.020	5	0.020	813	1570	11.6	130	108	123
16	0	28	-0.021	70	48	—	—	—	—	38	37	22	31				1230	2350	19.7	190	165	182
20	0	32	0	80	54	8	5.5	9	5.1	43	42	24	36	0.020	5	0.020	1400	2740	26.8	260	225	247
25	-0.012	40	-0.019	112	62	—	—	—	—	51	50	32	40				1560	3140	43.4	540	500	525
30	0	45	0	123	74	10	6.6	11	6.1	60	58	35	49	0.025	6	0.025	2490	5490	82.8	680	590	645
35	0	52	0	135	82	—	—	—	—	67	64	38	55				2650	6270	110	1020	930	945
40	-0.015	60	-0.022	151	96	13	9	14	8.1	78	75	45	64	0.025	6	0.025	3430	8040	147	1570	1380	1423
50	0	80	-0.030	192	116	—	—	—	—	98	92	56	80				6080	15900	397	3600	3400	3437

Ⓢ For linear bushings, hardened shafts with g6 tolerance are recommended. P.202-288

Part Number Example

Part Number

- LHFCW12 (No Seal)
- LHFCW-N12 (Low Temperature Black Chrome Plating)
- LHFCWR10 (L Type Greased)
- LHFCWR10L (G Type Greased)
- LHFCWR10G (H Type Greased)

Ⓢ Alternative grease types available.