


Shaft Collars

For Bearing Fixing / Set Screw Type

Features: For bearing inner race retention. Requires no special tools, and economical compared to dedicated bearing nuts.

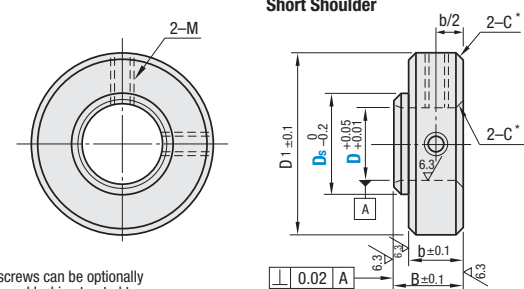
Shaft Collars – For Bearing Fixing / Set Screw Type



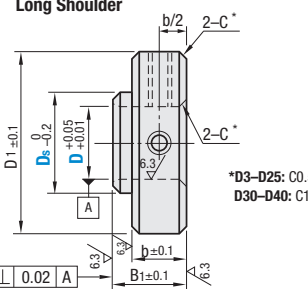
Type		Material	Surface Treatment	Accessories
Short Shoulder	Long Shoulder			
SCSBR	SCSBS	1045 Carbon Steel or Equivalent	Black Oxide Coating	Set Screw 2 pcs. (4137 Alloy Steel or Equivalent)
PSCSBR	PSCSBS		Electroless Nickel Plating	
SSCSBR	SSCSBS	304 Stainless Steel or Equivalent	—	Set Screw 2 pcs. (304 Stainless Steel or Equivalent)
SCSRAW	SCSSAW	2000 Series Aluminum Alloy	Clear Anodize	

$25 \sqrt{(6.3)}$

Short Shoulder



Long Shoulder



*D3-D25: C0.5
D30-D40: C1

*Included set screws can be optionally changed to thread locking treated type. See Alterations below.

RoHS 10

Part Number	Ds	B (Short Shoulder)	B ₁ (Long Shoulder)	D ₁	Set Screw M x Length	b	Applicable Bearing (O.D.)	1045 Carbon Steel or Equivalent				304 Stainless Steel or Equivalent		2000 Series Aluminum Alloy	
								Black Oxide Coating		Electroless Nickel Plating		—		Clear Anodize	
								SCSBR	SCSBS	PSCSBR	PSCSBS	SSCSBR	SSCSBS	SCSRAW	SCSSAW
Short Shoulder Type SCSBR PSCSBR SSCSBR SCSRAW	3	8	11	10	M3 x 3	7	673ZZ (6), 683ZZ (7)	•	•	•	•	•	•	•	•
							693ZZ (8), 603ZZ (9), 623ZZ (10)	•	•	•	•	•	•	•	•
							674ZZ (7), 684ZZ (9)	•	•	•	•	•	•	•	•
	4	8	11	12	M4 x 3	7	694ZZ (11), 604ZZ (12), 624ZZ (13)	•	•	•	•	•	•	•	•
							675ZZ (8)	•	•	•	•	•	•	•	•
							685ZZ (11), 695ZZ (13), 605ZZ (14), 625ZZ (16)	•	•	•	•	•	•	•	•
	5	8	11	14	M4 x 3	7	676ZZ (10), 686ZZ (13)	•	•	•	•	•	•	•	•
							696ZZ (15), 606ZZ (17), 626ZZ (19)	•	•	•	•	•	•	•	•
							678ZZ (12), 688ZZ (16)	•	•	•	•	•	•	•	•
	6	8	11	15	M4 x 3	7	698ZZ (19), 608ZZ (22), 628ZZ (24)	•	•	•	•	•	•	•	•
							680ZZ (19)	•	•	•	•	•	•	•	•
							690ZZ (22), 600ZZ (26)	•	•	•	•	•	•	•	•
8	10	12.5	16	M5 x 4	8.5	6200ZZ (30), 6300ZZ (35)	•	•	•	•	•	•	•	•	
						6801ZZ (21)	•	•	•	•	•	•	•	•	
						6901ZZ (24), 6001ZZ (28)	•	•	•	•	•	•	•	•	
10	10	12.5	18	M5 x 4	8.5	6201ZZ (32), 6301ZZ (37)	•	•	•	•	•	•	•	•	
						6802ZZ (24), 6902ZZ (28)	•	•	•	•	•	•	•	•	
						6002ZZ (32)	•	•	•	•	•	•	•	•	
12	10	12.5	20	M5 x 4	8.5	6202ZZ (35), 6302ZZ (42)	•	•	•	•	•	•	•	•	
						6803ZZ (26)	•	•	•	•	•	•	•	•	
						6903ZZ (30), 6003ZZ (35)	•	•	•	•	•	•	•	•	
15	10	12.5	22	M5 x 4	8.5	6203ZZ (40), 6303ZZ (47)	•	•	•	•	•	•	•	•	
						6704ZZ (27), 6804ZZ (32)	•	•	•	•	•	•	•	•	
						6904ZZ (37)	•	•	•	•	•	•	•	•	
17	10	12.5	25	M6 x 5	10	6004ZZ (42), 6204ZZ (47)	•	•	•	•	•	•	•	•	
						6805ZZ (37)	•	•	•	•	•	•	•	•	
						6905ZZ (42)	•	•	•	•	•	•	•	•	
20	12	15	27	M6 x 5	10	6005ZZ (47)	•	•	•	•	•	•	•	•	
						6205ZZ (52)	•	•	•	•	•	•	•	•	
						6806ZZ (42)	•	•	•	•	•	•	•	•	
25	12	15	42	M6 x 5	10	6906ZZ (47)	•	•	•	•	•	•	•	•	
						6006ZZ (55), 6206ZZ (62), 6306ZZ (72)	•	•	•	•	•	•	•	•	
						6807ZZ (47)	•	•	•	•	•	•	•	•	
30	15.5	19	45	M8 x 6	13	6907ZZ (55)	•	•	•	•	•	•	•	•	
						6007ZZ (62), 6207ZZ (72)	•	•	•	•	•	•	•	•	
						6808ZZ (52)	•	•	•	•	•	•	•	•	
(35)	15.5	19	50	M8 x 6	13	6908ZZ (62)	•	•	•	•	•	•	•	•	
						6008ZZ (68), 6208ZZ (80)	•	•	•	•	•	•	•	•	
						6809ZZ (62)	•	•	•	•	•	•	•	•	
(40)	15.5	19	60	M10 x 8	15	6808ZZ (52)	•	•	•	•	•	•	•	•	
						6908ZZ (62)	•	•	•	•	•	•	•	•	
						6008ZZ (68), 6208ZZ (80)	•	•	•	•	•	•	•	•	

Ⓢ * marked sizes not available for SCSRAW or SCSSAW type.
Ⓢ D dimensions in () are not available for Short Shoulder Type.

Shaft Collars

For Bearing Fixing / Set Screw Type

Part Number Example: - -
 Example: SCSBS12 - 18

Application Example: 

Part Number Alterations: - -
 Example: SCSBS20 - 23 - YC

Alteration	Thread Lock Set Screw
	Thread Locking Coating
Code	YC
Spec.	Change included set screws to thread locking compound treated type. Thread Locking Coating – Threads are coated with special resin with superior elasticity as well as resistance to abrasion and oil. – Effect is maximum at the first use, and it will gradually decrease after the fourth use. Ⓢ Not applicable to SCSRAW and SCSSAW, Compact Type.