




Deep Groove Ball Bearings

Double Shielded

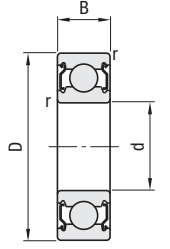
Features: Applicable for high load, high speed and high speed with accuracy applications.

Deep Groove Ball Bearings –
Double Shielded

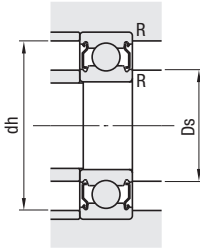


RoHS 10

B6__ZZ



Installation Diagram



Material: 52100 Bearing Steel
Bearing Accuracy JIS B 1514 Class 0

Kgf=Nx0.101972

Part Number	d	D	B	r (min)	Basic Load Rating		Allowable Rotational Speed rpm (Reference)	Relative Dimensions			Mass (g) (Reference)				
					Cr (Dynamic) kN	Cor (Static) kN		Ds		R (max)					
								(min)	(max)			dh (max)			
B6700ZZ	10	15	4	0.2	0.85	0.43	15000	10.4	11.21	14.2	0.2	2			
B6800ZZ		19	5	0.3	1.72	0.84	34000	12	12.5	17	0.3	5			
B6900ZZ		22	6		2.7	1.27	32000		13	20		9			
B6000ZZ		26	8		4.55	1.96	30000		13.5	24		19			
B6200ZZ		30	9	0.6	5.1	2.39	24000		14	16	26	0.6	32		
B6300ZZ		35	11	8.6	3.45	21000	16.5			31	52				
B6701ZZ	12	18	4	0.2	0.92	0.53	13000		12.4	13.86	16.7	0.2	3		
B6801ZZ		21	5	0.3	1.92	1.04	32000	14	14.5	19	0.3	6			
B6901ZZ		24	6		2.89	1.46	30000		15	22		11			
B6001ZZ		28	8		5.01	2.39	27000		16	26		21			
B6201ZZ		32	10	0.6	6.8	3.05	22000		16	17	28	0.6	37		
B6301ZZ		37	12	1	10.3	4.2	19000			17	18	32	1	60	
B6702ZZ	15	21	4	0.2	0.93	0.58	11000		15.4	16.86	19.7	0.2	4		
B6802ZZ		24	5	0.3	2.07	1.26	27000	16.5	16.5	22	0.3	7			
B6902ZZ		28	7		4.33	2.25	26000		17	18.5		26	16		
B6002ZZ		32	9		5.9	2.83	23000			19		30	30		
B6202ZZ		35	11	0.6	8.2	3.75	19000		19	20	31	0.6	45		
B6302ZZ		42	13	1	11.4	5.45	17000			20	22.5	37	1	83	
B6703ZZ	17	23	4	0.2	1	0.65	9500		17.4	18.86	21.1	0.2	4		
B6803ZZ		26	5	0.3	2.23	1.46	25000	19	19.5	24	0.3	8			
B6903ZZ		30	7		4.59	2.56	23000		20	20		28	18		
B6003ZZ		35	10		6.4	3.25	20000			21		21	33	39	
B6203ZZ		40	12	0.6	10.1	4.75	17000		21	23	36	0.6	66		
B6303ZZ		47	14	1	14.4	6.5	15000			22	25.5	42	1	113	
B6403ZZ	62	17	1.1	22.7	10.8	14000	23.5		—	55.5	—	270			
B6704ZZ	20	27	4	0.2	1.04	0.72	8500	20.4	22.36	25.5	0.2	6			
B6804ZZ		32	7	0.3	4	2.47	20000	22	22.5	30	0.3	19			
B6904ZZ		37	9		6.4	3.7	19000		24	24		35	36		
B6004ZZ		42	12		0.6	10	5.05			17000		25	26	38	0.6
B6204ZZ		47	14	1	13.6	6.65	14000		25	28	42	1	106		
B6304ZZ		52	15	1.1	16.9	7.9	13000			26.5	28		45.5	—	145
B6404ZZ	72	19	1.1	28.5	13.9	12000	26.5		—	65.5	—	400			
B60-22ZZ	22	44	12	0.6	9.4	5.05	17000	26	26.5	40	0.6	74			
B62-22ZZ		50	14	1	12.9	6.8	14000	27	29.5	45	—	117			
B63-22ZZ		56	16	1.1	18.4	9.25	13000	28.5	31	49.5	—	176			
B6805ZZ		37	7	0.3	4.3	2.95	18000	27	28	35	0.3	22			
B6905ZZ		42	9		7.05	4.55	16000		29	29		40	42		
B6005ZZ		47	12		0.6	10.7	5.85			15000		29	30.5	43	0.6
B6205ZZ	52	15	1	14.9	7.85	12000	30		32	47	1	128			
B6305ZZ	62	17	1.1	23.8	11.5	11000			31.5	36		55.5	—	235	
B6405ZZ	80	21	1.5	34.5	17.5	10000	33		—	72	—	530			
B60-28ZZ	28	52	12	0.6	12.5	7.4	14000	32	34	48	0.6	98			
B62-28ZZ		58	16	1	17.9	9.75	12000	33	35.5	53	—	171			
B63-28ZZ		68	18	1.1	26.7	14	11000	34.5	38.5	61.5	—	284			
B6806ZZ		42	7	0.3	4.54	3.42	15000	32	33	40	0.3	26			
B6906ZZ		47	9		7.25	5	14000		34	34		45	48		
B6006ZZ		55	13		1	13.5	8			12000		35	37	50	—
B6206ZZ	62	16	1.1	20.7	11.3	10000	35		39	57	1	199			
B6306ZZ	72	19	1.1	30.5	16.2	9200			36.5	42.5		65.5	—	345	
B6406ZZ	90	23	1.5	43.5	23.9	8800	38		—	82	—	735			
B60-32ZZ	32	58	13	1	11.8	8.05	12000	37	39	53	—	129			
B62-32ZZ		65	17	1	20.7	11.6	11000	37	40	60	1	226			
B63-32ZZ		75	20	1.1	29.8	16.9	9500		38.5	43.5		68.5	—	382	
B6807ZZ		47	7	0.3	4.74	3.82	13000	39	38	45	0.3	29			
B6907ZZ		55	10		0.6	10.9	7.75		12000	40		40	51	0.6	74
B6007ZZ		62	14		1	17	10.3		11000			40	42		57
B6207ZZ	72	17	1.1	27.5	15.3	9000	41.5		45	65.5	1	288			
B6307ZZ	80	21	1.5	35.5	19.1	8400			43	47		72	1.5	469	
B6407ZZ	100	25	1	55	31	7800	—			—	92	—		952	

Kgf=Nx0.101972

Part Number	d	D	B	r (min)	Basic Load Rating		Allowable Rotational Speed rpm (Reference)	Relative Dimensions			Mass (g) (Reference)	
					Cr (Dynamic) kN	Cor (Static) kN		Ds		R (max)		
								(min)	(max)			dh (max)
B6808ZZ	40	52	7	0.3	4.93	4.18	12000	42	43	50	0.3	33
B6908ZZ		62	12	0.6	13.7	9.92	11000	44	45	58	0.6	110
B6008ZZ		68	15	1	17.8	11.5	9500	45	47	63	—	190
B6208ZZ		80	18	1.1	31	17.8	8200	46.5	51	73.5	—	366
B6308ZZ		90	23	1.5	45.4	25	7500	48	53	82	—	636
B6408ZZ		110	27	2	63.5	36.5	7000	49	—	101	—	1230
B6809ZZ	45	58	7	0.3	6.21	5.38	11000	47	47.5	56	0.3	38
B6909ZZ		68	12	0.6	14.1	10.9	9500	49	50	64	0.6	126
B6009ZZ		75	16	1	21.2	14.4	8800	50	53.5	70	—	241
B6209ZZ		85	19	1.1	33	20.3	7500	51.5	55.5	78.5	—	420
B6309ZZ		100	25	1.5	56	31.5	6700	53	61.5	92	—	829
B6810ZZ		65	7	0.3	6.4	5.83	9500	52	52.5	63	0.3	50
B6910ZZ	72	12	0.6	14.5	11.7	9000	54	55	68	0.6	135	
B6010ZZ	80	16	1	22	15.8	8300	55	57.5	75	—	261	
B6210ZZ	90	20	1.1	39	24.2	7000	56.5	60	83.5	—	454	
B6310ZZ	110	27	2	68	38.5	6000	59	68	101	—	1006	
B6410ZZ	130	31	2.1	83	49.5	5700	61	—	119	—	2290	
B6811ZZ	72	9	0.3	8.8	8.1	8700	57	59	70	0.3	83	
B6911ZZ	80	13	1	16	13.3	8200	60	61.5	75	—	180	
B6011ZZ	90	18	1.1	28.3	21.2	7700	61.5	64	83.5	—	388	
B6211ZZ	100	21	1.5	43.5	29.2	6400	63	67	92	—	601	
B6311ZZ	120	29	2	71.5	45	5800	64	74	111	—	1370	
B6812ZZ	78	10	0.3	11.5	10.6	8000	62	64.5	76	0.3	106	
B6912ZZ	85	13	1	16.4	14.3	7600	65	66.5	80	—	193	
B6012ZZ	95	18	1.1	29.5	23.2	7000	66.5	69	88.5	—	414	
B6212ZZ	110	22	1.5	52.5	36	6000	68	75	102	—	783	
B6312ZZ	130	31	2.1	82	52	5400	71	80.5	119	—	1730	
B6813ZZ	85	10	0.6	11.6	11	7400	69	70	81	0.6	128	
B6913ZZ	90	13	1	17.4	16.1	7000	70	71.5	85	—	206	
B6013ZZ	100	18	1.1	30.5	25.2	6500	71.5	74	93.5	—	421	
B6213ZZ	120	23	1.5	57.5	40	5500	73	80.5	112	—	990	
B6313ZZ	140	33	2.1	92.5	60	4900	76	86	129	—	2080	
B6814ZZ	90	10	0.6	12.1	11.9	6900	74	75.5	86	0.6	137	
B6914ZZ	100	16	1	23.7	21.2	6500	75	77.5	95	—	334	
B6014ZZ	110	20	1.1	38	31	6100	76.5	80.5	103.5	—	604	
B6214ZZ	125	24	1.5	62	44	5100	78	85	117	—	1070	
B6314ZZ	150	35	2.1	104	68	4600	81	92.5	139	—	2520	
B6815ZZ	95	10	0.6	12.5	12.9	6400	79	80	91	0.6	145	
B6915ZZ	105	16	1	24.4	22.6	6100	80	82.5	100	—	353	
B6015ZZ	115	20	1.1	39.5	33.5	5700	81.5	85.5	108.5	—	649	
B6215ZZ	130	25	1.5	66	49.5	4800	83	90.5	122	—	1180	
B6315ZZ	150	35	2.1	104	68	4600	81	92.5	139	—	2520	
B6816ZZ	100	10	0.6	12.7	13.3	6000	84	85	96	0.6	154	
B6916ZZ	110	16	1	24.9	24	5700	85	88	105	—	373	
B6016ZZ	125	22	1.1	47.5	40	5300	86.5	91.5	118.5	—	854	
B6216ZZ	140	26	2	72.5	53	4500	89	95.5	131	—	1400	
B6316ZZ	170	39	2.1	123	86.5	4000	91	105	159	—	3590	
B6817ZZ	110	13	1	18.7	19	5700	90	91	105	—	270	
B6917ZZ	120	18	1	32	29.6	5400	92	94	113.5	—	536	
B6017ZZ	130	22	1.1	49.5	43	5000	91.5	97	123.5	—	890	
B6217ZZ	150	28	2	83.5	64	4200	94	103	141	—	1790	
B6317ZZ	180	41	3	133	97	3800	98	112	167	—	4230	
B6818ZZ	115	13	1	19	19.7	5400	95	96	110	—	285	
B6918ZZ	125	18	1.1	33	31.5	5100						