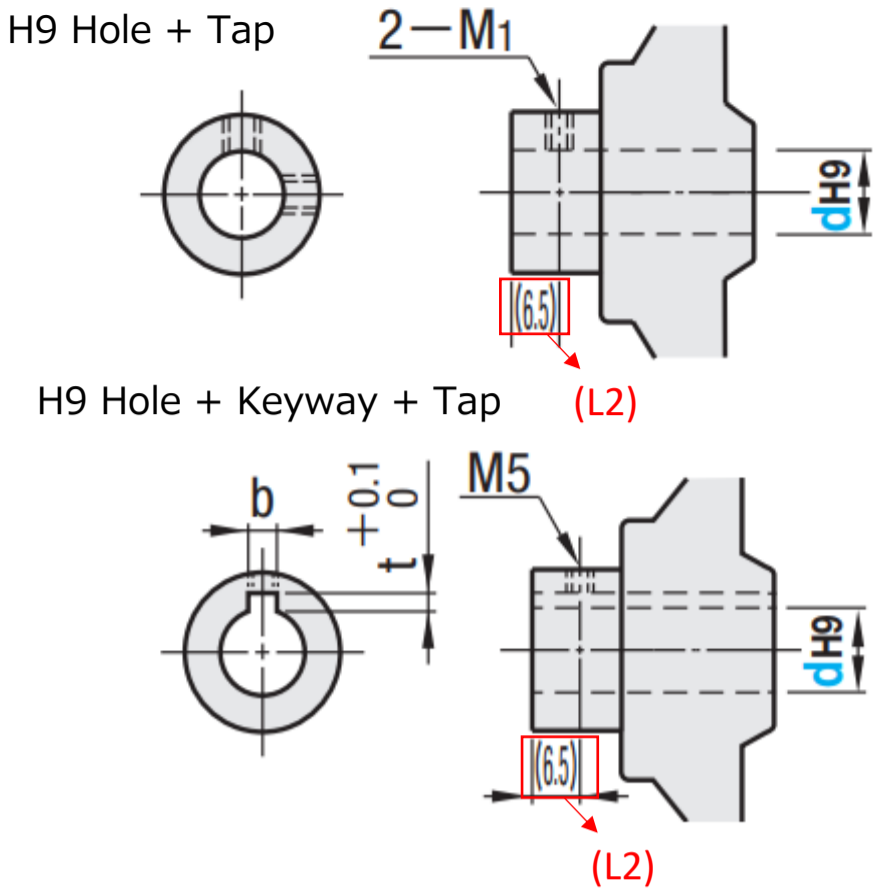


\*The tap position will change to 9 mm on phenol.



■ Updated Specification Table

Part Number		PHSM·PHSFM		PHSK·PHSKF			PHSM·PHSFM PHSK·PHSKF	AHSM·AHSFM AHSK·AHSFK	H	A	F	D <sub>1</sub>	D <sub>2</sub>	h	L	d <sub>1</sub>	h <sub>1</sub>	M (Coarse)	P	B		G		Reference Mass (g)							
		AHSM·AHSFM		AHSK·AHSFK																PHS□	PHSF□	PHS□	PHSF□	PHS□	AHS□	PHSF□	AHSF□				
Type	D	d Selection	M <sub>1</sub> (Coarse)	d	b	t	(L2)	(L2)												AHS□	AHSF□	AHS□	AHSF□	PHS□	AHS□	PHSF□	AHSF□				
(Phenol)							9	6.5																							
PHSN	PHSFN	80	10	5	10	3			1.4	35	13	15	28	36	14	30	24	9	8	34	20	20	40	55	181	201	200	220			
PHSM	PHSFM				12	4			1.8	40	15	17	32	39		36									41	277	324	296	343		
PHSK	PHSKF	100	12		12	4			1.8	44	15	19	39	46		38	30								52	55	81	405	468	428	491
(Aluminium)																															
AHSN	AHSFN	150	15·20	6	15	5			2.3	48	18	21	48	56	15	38	31	11	10	64	23	23	67	104	570	729	618	777			
AHSM	AHSFM	*175	16·20		16		5	2.3		53	19	24													48	61	43	31	11	10	74
AHSK	AHSFK	*200	16·20		16	5	2.3	57	21	27	48	61	43	31											11	10	86	1017	—	1062	—