

CABLES FOR MOTORIZED STAGES

Cable for Motorized Stages



Part Number	Type	No.	Cable		Connector		Stage Side
			Features	Overall Length	Existence of Connector	Controller Side	
SRCB (for 16-pin)	SRCB	2	Ordinary Cable	2m	Provided on both ends	09-0341-02-14(Binder)	SRCB SRCN6A21-16S(JAE)
		4		4m			
		6		6m			
		2B		2m			
MSCB (for 12-pin)	MSCB	4B	Ordinary Cable	4m	Provided on one end. (The other end is loose wire.)	09-0341-02-14(Binder)	MSCB/MS4CB HR10A-10P-12S(73) (HRS)
		6B		6m			
		2-R		2m			
		4-R		4m			
MS4CB (for 4-sensor, 12-pin)	MS4CB	6-R	Robot Cable	6m	Provided on both ends	09-0341-02-14(Binder)	MS4CB
		2B-R		2m			
		4B-R		4m			
		6B-R		6m			

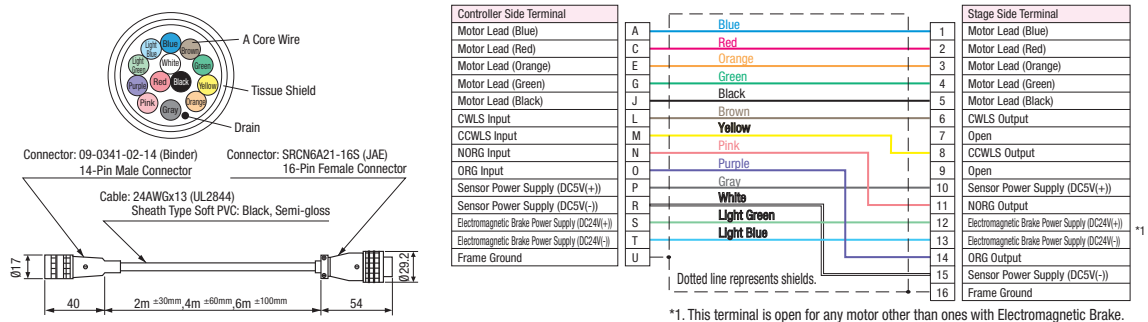
Common Specifications

Type	Finished O.D.	Min. Bending Radius	Conductor		Insulator	Sheath	
			Configuration	O.D.		Material	Color
Ordinary Cable	6.70	R33mm	40 wires / 0.08mm [24AWG]	0.65mm	PVC	PVC	Black
Robot Cable	±0.15mm		50 wires / 0.08mm [24AWG]		ETFE		

Ordinary Cable

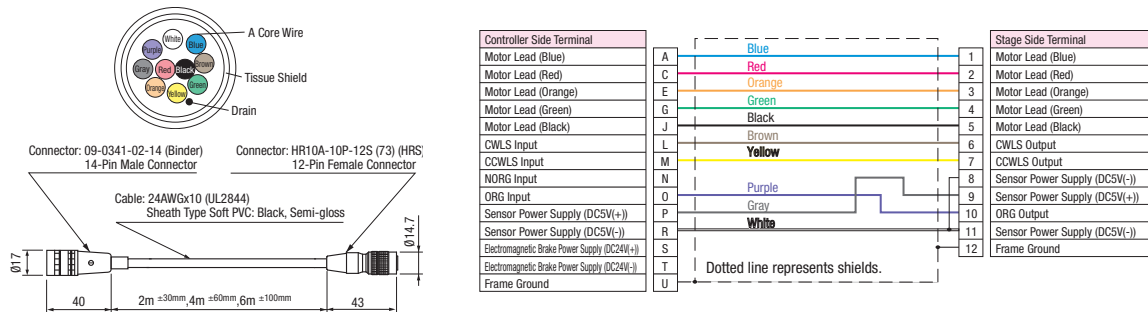
- SRCB2(B), SRCB4(B), SRCB6(B)

* For the cable with the loose wire on one end (with the "B" text inserted on end of the Part Number), the loose wire side should be regarded as 14-pin Male Connector (Controller)-oriented.



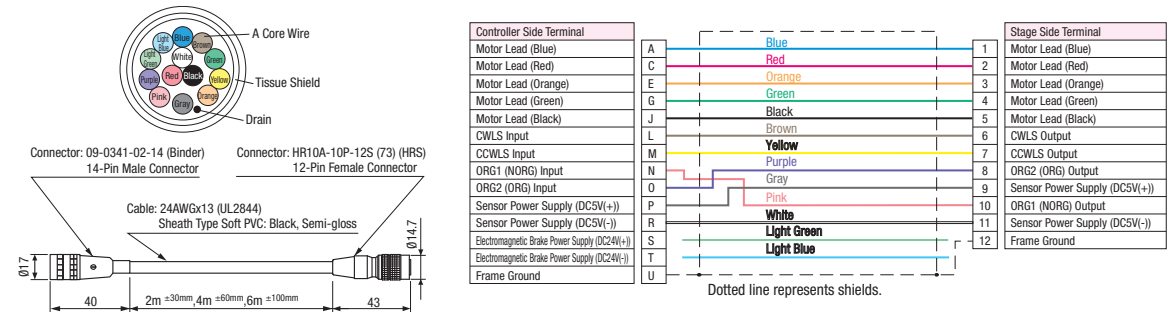
- MSCB2(B), MSCB4(B), MSCB6(B)

* For the cable with the loose wire on one end (with the "B" text inserted on end of the Part Number), the loose wire side should be regarded as 14-pin Male Connector (Controller)-oriented.



- MS4CB2(B), MS4CB4(B), MS4CB6(B)

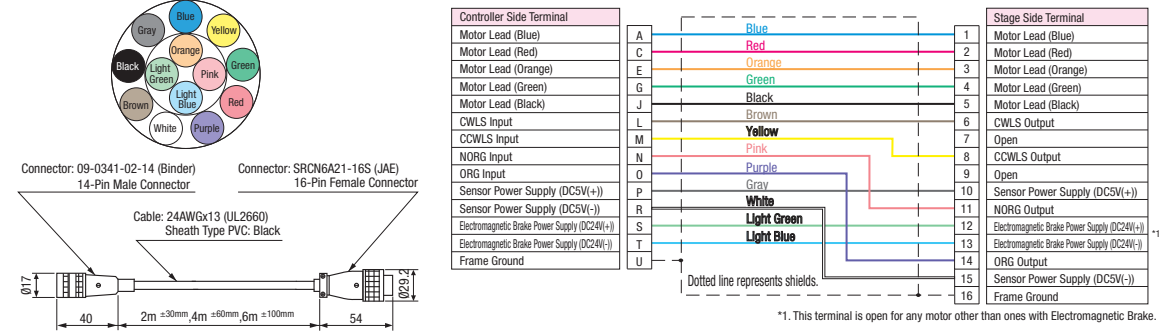
* For the cable with the loose wire on one end (with the "B" text inserted on end of the Part Number), the loose wire side should be regarded as 14-pin Male Connector (Controller)-oriented.



Robot Cable

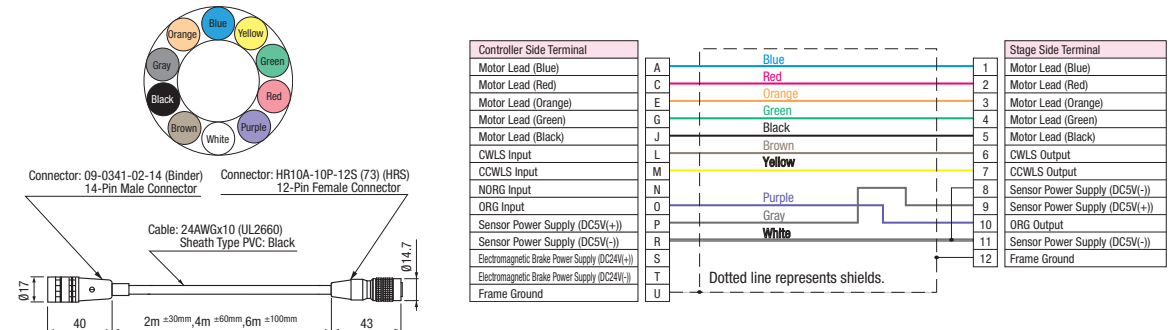
- SRCB2(B)-R, SRCB4(B)-R, SRCB6(B)-R

* For the cable with the loose wire on one end (with the "B" text inserted on end of the Part Number), the loose wire side should be regarded as 14-pin Male Connector (Controller)-oriented.



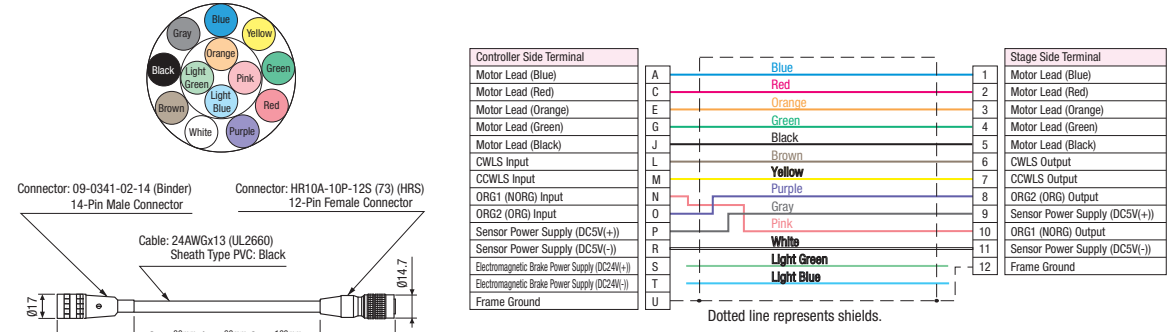
- MS4CB2(B)-R, MS4CB4(B)-R, MS4CB6(B)-R

* For the cable with the loose wire on one end (with the "B" text inserted on end of the Part Number), the loose wire side should be regarded as 14-pin Male Connector (Controller)-oriented.



- MS4CB2(B)-R, MS4CB4(B)-R, MS4CB6(B)-R

* For the cable with the loose wire on one end (with the "B" text inserted on end of the Part Number), the loose wire side should be regarded as 14-pin Male Connector (Controller)-oriented.



Ordering Example
Part Number
SRCB2

Days to Ship

Configure Online