



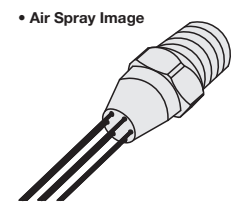
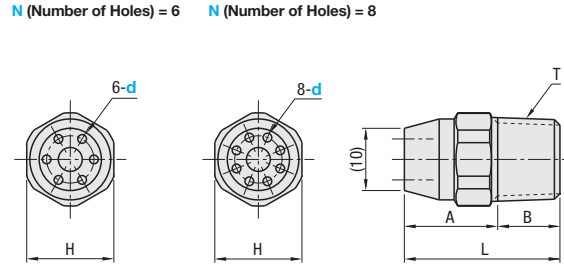
Spray Nozzles - Circular Spray Pattern

Standard / Air-Amplify Type



Type	Material	Max. Operating Pressure	Breakdown Torque	Heat Resistance Temp.
ARDP	Polypropylene	0.7MPa	15N·m	70°C
ARDA	5052 Aluminum Alloy	1.0MPa	-	200°C
ARDS	303 Stainless Steel			

Features: Strong straight air is sprayed through holes on the tip.
Applications: For removal of oil, water drops and chips, cooling / drying and air flow to narrow spaces, etc.



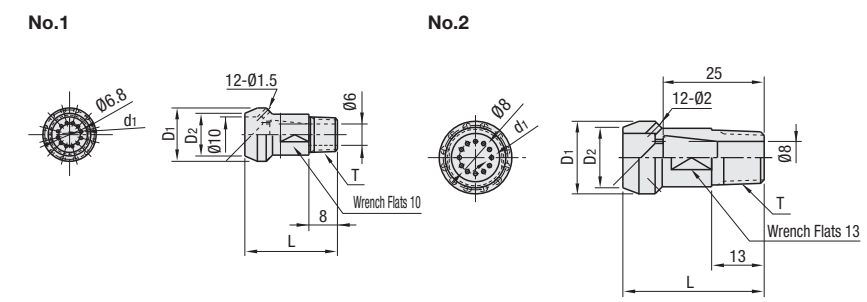
Part Number	Type	d	N (Number of Holes)	Air Flow Rate L/min (for 0.3MPa)	T	L	A	B	H	Mass (g)			d	N (Number of Holes)	ARDP		ARDA		ARDS	
										ARDP	ARDA	ARDS			Unit Price	Volume Discount Rate	Unit Price	Volume Discount Rate	Unit Price	Volume Discount Rate
ARDP ARDA ARDS	1.0	1.0	6	190	R1/4	25	15	10	14	2	6	15	1.0	6	5-20	1-4 pc(s)	5-20	1-4 pc(s)	5-20	
			8	250							8	8								
	1.4	1.4	6	350							10	28	1.4	6	5-20	1-4 pc(s)	5-20	1-4 pc(s)	5-20	
			8	480							8	8								

For orders larger than indicated quantity, please check with WOS.



Type	Material	Max. Operating Pressure	Heat Resistance Temp.
ARDADA	5052 Aluminum Alloy	0.7MPa	200°C

Features: Air volume and speed out of the orifices are increased by taking surrounding air. High colliding force with less air enables energy saving and air consumption reduction.

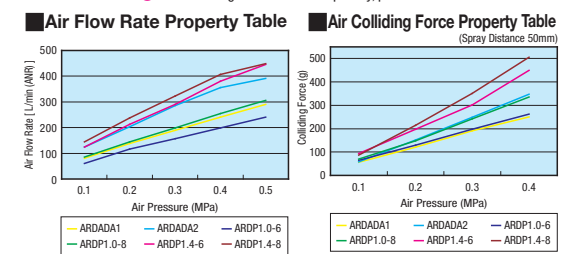


Part Number	Type	No.	T	Orifice d1	L	D1	D2	Weight (g)	Unit Price	Volume Discount Rate
									1 ~ 4 pc(s)	5-20
ARDADA		1	R1/8	0.8	26	15	12	5		
		2	R1/4	1	35	18	15	9		

For orders larger than indicated quantity, please check the Misumi website.

Ordering Example: Part Number - N (Number of Holes)
 ARDA1.0 - 6
 ARDADA1

Days to Ship: [Configure Online](#)



Values on the graph are for reference, not guaranteed.