




# Cam Followers

## Hex Socket on Head / Thread (Flat Type with Grease Fitting)

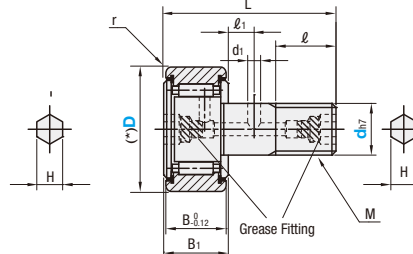
**Flat**



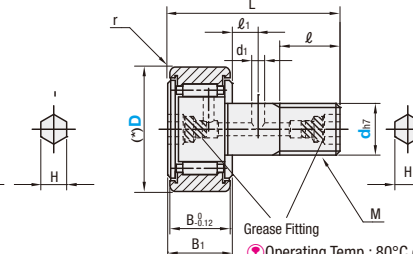
RoHS 10

Application	Type		Material	Accessories
	With Seal	No Seal		
General	CFFH	CFAH	S2100 Bearing Steel	1 Hex Nut (1045 Carbon Steel Carbon Steel, Black Oxide)
	CFFSH	CFASH	440C Stainless Steel Equivalent	1 Hex Nut (304 Stainless Steel)
Low Dust Generation	CFFCH	-	-	-
Heavy Load	CFFGH	-	S2100 Bearing Steel	1 Hex Nut (1045 Carbon Steel Carbon Steel, Black Oxide)

**With Seal**



**No Seal**



(\*)

D	Tolerance
30	-0.009
32-47	0
52-80	-0.011
80-90	0
	-0.013
	0
	-0.015

Operating Temp.: 80°C or lower

Part Number		D (Selectable)	MxPitch	B	B <sub>1</sub>	L	d <sub>1</sub>	ℓ	ℓ <sub>1</sub>	r	f (Min.)	H	Mass (g)	Max. Tightening Torque (N • cm)	Unit Price						
Type	dh7 Tolerance														CFFH	CFFSH	CFFCH	CFFGH	CFAH	CFASH	
(With Seal) CFFH CFFSH CFFCH CFFGH	12	30	12x1.5	14	15	40	3	14	6	1.5	20	6	105(107)	29.4							
		32											115(117)								
	16	35	16x1.5	18	19.5	52	3	18	8	1.5	24	6	205(207)	70.6							
		40											295(300)								
	20	47	20x1.5	24	25.5	66	3	22	9	1.5	36	6	450(455)	137							
		52											525(530)								
	(No Seal) CFAH CFASH	24	62	24x1.5	29	30.5	80	4	25	11	1.5	40	8	915(925)	245						
			72											1150(1160)							
	30	80	30x1.5	35	37	100	4	32	15	2	1.5	46	8	1880(1890)	480						
		85												1950(1960)							
		90											2000(2010)								

For the performance of Cam Followers, see Table 1 on P.1043.

**Ordering Example** Part Number - D  
CFFH20 - 52

**Days to Ship** Configure Online

**Price** Configure Online

**Part Number Substitution Table for Cam Follower Standard Changes (D30-40,52 only)**

Type	Old Part Number (D30-40,52)			New Part Number Hex Socket on Head and Shank
	Old Standard	Old Hex Socket Type	Old Hex Socket on Thread	
Cam Followers	CFUR	CFUA	CFUB	CFUH
	CFURS	CFUAS	-	CFUSH
	CFURC	CFUAC	-	CFUCH
	-	CFUAG	-	CFUGH
	CFU	CUA	-	CUH
	CFUS	CUAS	-	CUSH
	CFFR	CFFA	CFFB	CFFH
	CFFRS	CFFAS	-	CFFSH
	CFFRC	CFFAC	-	CFFCH
	-	CFFAG	-	CFFGH
	CFR	CFA	-	CFAH
	CFRS	CFAS	-	CFASH