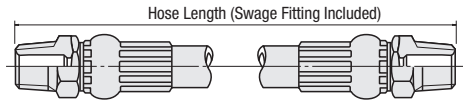


Flexible Fluoro-resin Hoses

Flexible Fluoro-resin Hoses



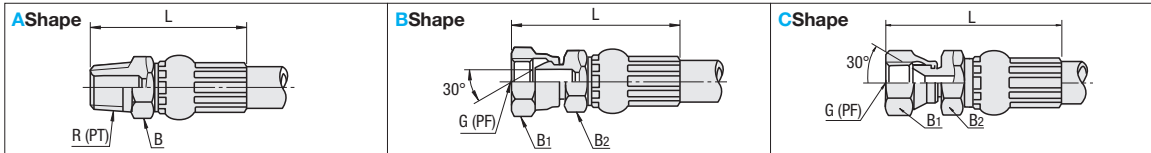
| Type | Hose | Material | Swage Fittings | Surface Treatment | Max. Operating Pressure |
|--------|--------------|---------------------|---------------------|--------------------|-------------------------------|
| HOSFR | Fluoro-resin | 304 Stainless Steel | 1018 Carbon Steel | Trivalent Chromate | See Hose Specifications Table |
| HOSFRS | Fluoro-resin | 304 Stainless Steel | 304 Stainless Steel | - | |



Feature
 · Excellent in heat resistance and chemical resistance.
 · Suitable for use with viscous materials, such as adhesives and paints.

Caution
 · Avoid using the same hose for steam and water or for steam and nitrogen.

Swage Fitting Shapes



Hose Specifications

| Hose Nominal I.D. | Max. Operating Pressure (Mpa) | Min. Destructive Pressure (Mpa) | Min. Bending Radius (mm) | Approx. Mass (g/m) |
|-------------------|-------------------------------|---------------------------------|--------------------------|--------------------|
| 4 | 20.5 | 82.0 | 51 | 105 |
| 6 | 20.5 | 82.0 | 76 | 120 |
| 8 | 17.0 | 68.0 | 102 | 145 |

Swage Fitting Size List

| Hose Nominal I.D. | R(PT) G(PF) | Shape A | | | Shape B | | | Shape C | | |
|-------------------|-------------|------------------|----|-------------------------------|---------|-------------------------------|----|-------------------------------|-------------------------------|----|
| | | B (Wrench Flats) | L | B ₁ (Wrench Flats) | L | B ₂ (Wrench Flats) | L | B ₁ (Wrench Flats) | B ₂ (Wrench Flats) | L |
| 4 | 1/4 | 17 | 43 | 19 | 17 | 48 | 19 | 17 | 48 | 48 |
| 6 | 1/4 | 17 | 43 | 19 | 17 | 48 | 19 | 17 | 48 | 48 |
| 8 | 3/8 | 19 | 48 | 22 | 19 | 53 | 22 | 19 | 53 | 53 |

| Part Number | Type | Hose Nominal I.D. | Hose Length 0.1m Increment | L Left End Swaged Shape | R Right End Swaged Shape | Hose I.D. (mm) | Hose O.D. (mm) | Unit Price | |
|-----------------|------|-------------------|----------------------------|-------------------------|--------------------------|----------------|----------------|---|--|
| | | | | | | | | Additional Charge for Both Ends Swaged Fittings | |
| HOSFR HOSFRS | | 4 | 0.3-20.0 | LA LB LC | RA RB RC | 4.8 | 7.7 | | |
| | | 6 | | | | 6.4 | 9.5 | | |
| | | 8 | | | | 7.9 | 10.9 | | |

Ordering Example: Part Number - Hose Length - Shape L - Shape R
 HOSFR6 - 1.0 - LA - RB

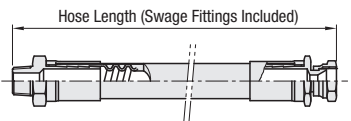
Price [Configure Online](#)

Days to Ship [Configure Online](#)

Flexible Fluoro-resin Hoses - High-Flex

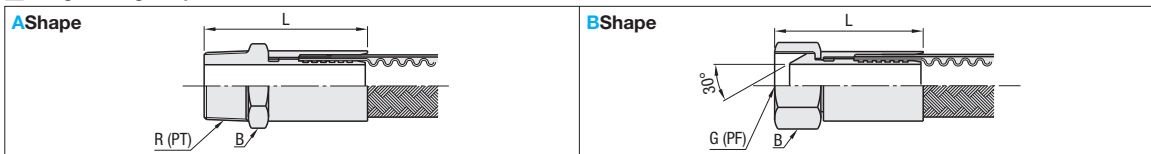


| Type | Hose | Material | Swage Fittings | Applicable Fluid | Operating Temperature Range | Max. Operating Pressure |
|--------|--------------|---------------------|---------------------|--------------------------|-----------------------------|-------------------------------|
| HOSJRS | Fluoro-resin | 304 Stainless Steel | 304 Stainless Steel | Air, Gas, Water, Solvent | -100~120°C | See Hose Specifications Table |



Feature
 · Spiral corrugated hose provides superior flexibility.
 · Suitable for high vibration environment and applications where damages from deformation are expected.

Swage Fitting Shapes



Hose Specifications

| Hose Nominal I.D. | I.D. (mm) | O.D. (mm) | Min. Bending Radius (mm) | Max. Operating Pressure (Mpa) |
|-------------------|-----------|-----------|--------------------------|-------------------------------|
| 6A | 4.0 | 7.0 | 20 | 3.0 |
| 8A | 5.0 | 8.5 | 20 | 2.5 |
| 10A | 9.0 | 13.0 | 25 | 2.0 |
| 15A | 11.0 | 16.5 | 30 | 2.0 |

Swage Fitting Size List

| Hose Nominal I.D. | R(PT) G(PF) | Shape A | | Shape B | |
|-------------------|-------------|------------------|----|------------------|----|
| | | B (Wrench Flats) | L | B (Wrench Flats) | L |
| 6A | 1/8 | 12 | 39 | 14 | 37 |
| 8A | 1/4 | 14 | 47 | 17 | 43 |
| 10A | 3/8 | 19 | 53 | 21 | 49 |
| 15A | 1/2 | 24 | 60 | 26 | 57 |

| Part Number | Type | Hose Nominal I.D. | Hose Length 0.1m Increment | L Left End Swaged Shape | R Right End Swaged Shape | Unit Price | |
|-------------|------|-------------------|----------------------------|-------------------------|--------------------------|----------------------|--------------------------------------|
| | | | | | | Hose Unit Price/0.1m | Unit Price of One End Swaged Fitting |
| HOSJRS | | 6A | 0.3-2.0 | LA LB | RA RB | | |
| | | 8A | | | | | |
| | | 10A | | | | | |
| | | 15A | | | | | |

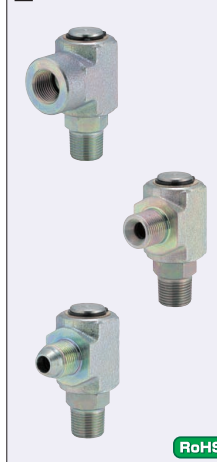
Ordering Example: Part Number - Hose Length - Shape L - Shape R
 HOSJRS8A - 1.5 - LB - RA

Price [Configure Online](#)

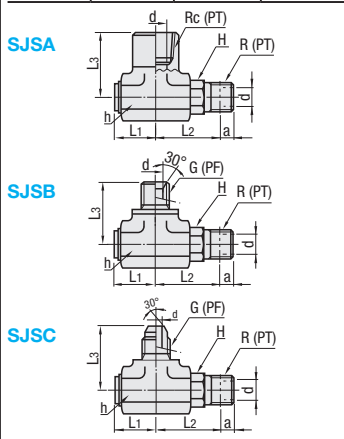
Days to Ship [Configure Online](#)

Swivel Joints / Swivel Fittings for Hydraulic Fluids

Swivel Joints-Elbow



| Type | Material | Surface Treatment | Max. Operating Pressure |
|------|-------------------|--------------------|-------------------------|
| SJS | 1045 Carbon Steel | Trivalent Chromate | 20.6MPa |

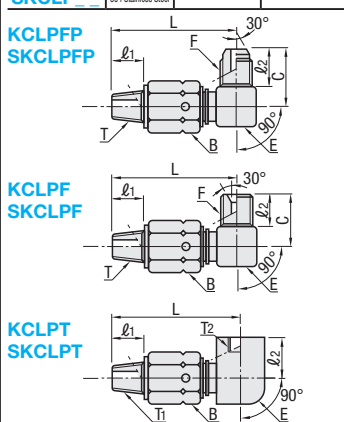


Ordering Example: Part Number SJSB3
 For orders larger than indicated quantity, please request a quotation.
 Days to Ship

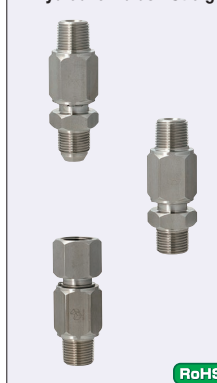
Swivel Fittings for Hydraulic Fluids - Elbow



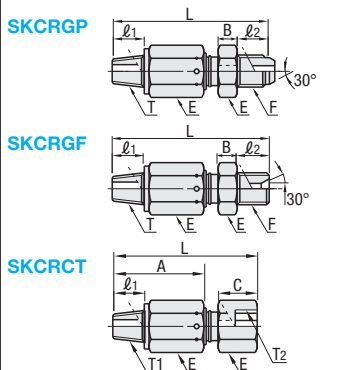
| Type | Material | Surface Treatment | Max. Operating Pressure |
|-------|---------------------|-------------------|-------------------------|
| KCLP | 1018 Carbon Steel | Zinc Plating | 20.6MPa |
| SKCLP | 304 Stainless Steel | - | - |



Swivel Fittings for Hydraulic Fluids - Straight



| Type | Material | Surface Treatment | Max. Operating Pressure |
|------|---------------------|-------------------|-------------------------|
| SKCR | 304 Stainless Steel | - | 20.6MPa |



Ordering Example: Part Number KCLPFP4
 For orders larger than indicated quantity, please request a quotation.
 Days to Ship

| Part Number | R/Rc (PT) | d | L ₁ | L ₂ | L ₃ | a Reference Dia. G | h Wrench Flats | H Wrench Flats | Unit Price 1-9 pcs. | Volume Discount Rate 10-29 pcs. |
|-------------|-----------|-----|----------------|----------------|----------------|--------------------|----------------|----------------|---------------------|---------------------------------|
| SJS | 2 | 1/4 | 5 | 19.5 | 31.5 | 30 | 6.01 | 22 | 14 | |
| | 3 | 3/8 | 8 | 22 | 35.7 | 30 | 6.35 | 27 | 19 | |
| | 4 | 1/2 | 11.5 | 24 | 40.3 | 35 | 8.16 | 32 | 22 | |
| SJSB | 6 | 3/4 | 16 | 30 | 48.5 | 42 | 9.53 | 41 | 30 | |

| Part Number | G(PF) R(PT) | d | L ₁ | L ₂ | L ₃ | a Reference Dia. G | h Wrench Flats | H Wrench Flats | Unit Price 1-9 pcs. | Volume Discount Rate 10-29 pcs. |
|-------------|-------------|-----|----------------|----------------|----------------|--------------------|----------------|----------------|---------------------|---------------------------------|
| SJSB | 2 | 1/4 | 5 | 19.5 | 31.5 | 29 | 6.01 | 22 | 14 | |
| | 3 | 3/8 | 8 | 22 | 35.7 | 30 | 6.35 | 27 | 19 | |
| | 4 | 1/2 | 11.5 | 24 | 40.3 | 35 | 8.16 | 32 | 22 | |
| SJSB | 6 | 3/4 | 16 | 30 | 48 | 41 | 9.53 | 41 | 30 | |

| Part Number | G(PF) R(PT) | d | L ₁ | L ₂ | L ₃ | a Reference Dia. G | h Wrench Flats | H Wrench Flats | Unit Price 1-9 pcs. | Volume Discount Rate 10-29 pcs. |
|-------------|-------------|-----|----------------|----------------|----------------|--------------------|----------------|----------------|---------------------|---------------------------------|
| SJSJC | 2 | 1/4 | 5 | 19.5 | 31.5 | 30 | 6.01 | 22 | 14 | |
| | 3 | 3/8 | 8 | 22 | 35.7 | 33 | 6.35 | 27 | 19 | |
| | 4 | 1/2 | 11.5 | 24 | 40.3 | 38 | 8.16 | 32 | 22 | |
| SJSJC | 6 | 3/4 | 16 | 30 | 48.5 | 42.0 | 9.53 | 41 | 30 | |

Feature
 Joints capable of slow reciprocating rotary motion.
 They can be used for joining fixed plumbing hoses and hydraulic hoses.

Specifications
 · Applicable Fluid: Oil (-20°C~95°C)
 · Rotation angle: 360°
 · Reciprocation Speed: 25 cycles/min. (when Vibrating Angle is 110°)

[Configure Online](#)

| Part Number | Type | No. | T R(PT) | F G(PF) | L | ℓ ₁ | ℓ ₂ | C | E (Wrench Flats) | B (Wrench Flats) | KCLPFP | | SKCLPFP | | | | | | | | |
|-------------------|------|-----|---------|---------|----|----------------|----------------|----|------------------|------------------|------------|----------------------|------------|----------------------|----|----|----|----|----|--|--|
| | | | | | | | | | | | Unit Price | Volume Discount Rate | Unit Price | Volume Discount Rate | | | | | | | |
| KCLPFP SKCLPFP | | 2 | 1/4 | 1/4 | 52 | 13 | 16 | 24 | 14 | 19 | 1-4 pc(s). | 5-19 pcs. | 1-4 pc(s). | 5-19 pcs. | | | | | | | |
| | | | | | | | | | | | 3 | 3/8 | 3/8 | 57 | 15 | 18 | 28 | 20 | 22 | | |
| | | | | | | | | | | | 4 | 1/2 | 1/2 | 66 | 18 | 20 | 32 | 24 | 27 | | |

| Part Number | Type | No. | T R(PT) | F G(PF) | L | ℓ ₁ | ℓ ₂ | C | E (Wrench Flats) | B (Wrench Flats) | KCLPF | | SKCLPF | | | | | | | | |
|-----------------|------|-----|---------|---------|----|----------------|----------------|----|------------------|------------------|------------|----------------------|------------|----------------------|----|----|----|----|----|--|--|
| | | | | | | | | | | | Unit Price | Volume Discount Rate | Unit Price | Volume Discount Rate | | | | | | | |
| KCLPF SKCLPF | | 2 | 1/4 | 1/4 | 52 | 13 | 13 | 21 | 14 | 19 | 1-4 pc(s). | 5-19 pcs. | 1-4 pc(s). | 5-19 pcs. | | | | | | | |
| | | | | | | | | | | | 3 | 3/8 | 3/8 | 57 | 15 | 14 | 24 | 20 | 22 | | |
| | | | | | | | | | | | 4 | 1/2 | 1/2 | 66 | 18 | 17 | 29 | 24 | 27 | | |

| Part Number | Type | No. | T ₁ R(PT) | T ₂ Rc(PT) | L | ℓ ₁ | ℓ ₂ | E (Wrench Flats) | B (Wrench Flats) | KCLPT | | SKCLPT | | | | | | | |
|-----------------|------|-----|----------------------|-----------------------|----|----------------|----------------|------------------|------------------|------------|----------------------|------------|----------------------|----|----|----|----|--|--|
| | | | | | | | | | | Unit Price | Volume Discount Rate | Unit Price | Volume Discount Rate | | | | | | |
| KCLPT SKCLPT | | 2 | 1/4 | 1/4 | 53 | 13 | 18 | 19 | 19 | 1-4 pc(s). | 5-19 pcs. | 1-4 pc(s). | 5-19 pcs. | | | | | | |
| | | | | | | | | | | 3 | 3/8 | 3/8 | 59 | 15 | 18 | 23 | 22 | | |
| | | | | | | | | | | 4 | 1/2 | 1/2 | 69 | 18 | 26 | 30 | 27 | | |

| Part Number | Type | No. | T R(PT) | F G(PF) | L | ℓ ₁ | B | ℓ ₂ | E (Wrench Flats) | Unit Price | | | | | | | | | |
|-------------|------|-----|---------|---------|----|----------------|---|----------------|------------------|------------|-----------|-----|----|----|----|----|----|--|--|
| | | | | | | | | | | 1-4 pc(s). | 5-19 pcs. | | | | | | | | |
| SKCRGP | | 2 | 1/4 | 1/4 | 68 | 13 | 8 | 16 | 19 | | | | | | | | | | |
| | | | | | | | | | | 3 | 3/8 | 3/8 | 72 | 15 | 8 | 18 | 22 | | |
| | | | | | | | | | | 4 | 1/2 | 1/2 | 84 | 18 | 10 | 20 | 27 | | |

| Part Number | Type | No. | T R(PT) | F G(PF) | L | ℓ ₁ | B | ℓ ₂ | E (Wrench Flats) | Unit Price | | | | | | | | | |
|-------------|------|-----|---------|---------|----|----------------|---|----------------|------------------|------------|-----------|-----|----|----|----|----|----|--|--|
| | | | | | | | | | | 1-4 pc(s). | 5-19 pcs. | | | | | | | | |
| SKCRGF | | 2 | 1/4 | 1/4 | 68 | 13 | 8 | 13 | 19 | | | | | | | | | | |
| | | | | | | | | | | 3 | 3/8 | 3/8 | 72 | 15 | 8 | 15 | 22 | | |
| | | | | | | | | | | 4 | 1/2 | 1/2 | 82 | 18 | 10 | 18 | 27 | | |

| Part Number | Type | No. | T ₁ R(PT) | T ₂ Rc(PT) | L | A | ℓ ₁ | C | E (Wrench Flats) | Unit Price | | | | | | | | | |
|-------------|------|-----|----------------------|-----------------------|----|----|----------------|----|------------------|------------|-----------|-----|----|----|----|----|----|--|--|
| | | | | | | | | | | 1-4 pc(s). | 5-19 pcs. | | | | | | | | |
| SKCRCT | | 2 | 1/4 | 1/4 | 61 | 39 | 13 | 17 | 19 | | | | | | | | | | |
| | | | | | | | | | | 3 | 3/8 | 3/8 | 66 | 41 | 15 | 19 | 22 | | |
| | | | | | | | | | | 4 | 1/2 | 1/2 | 76 | 48 | 18 | 22 | 27 | | |

[Configure Online](#)

