

Casters

Medium Load / Heavy Load



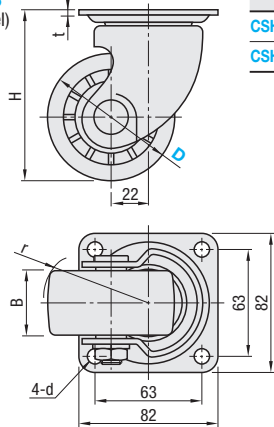
Casters

Super Heavy Load / Ultra Heavy Load



Medium Load **RoHS 10**

CSHN-S
CSHNS-S
(Stainless Steel)

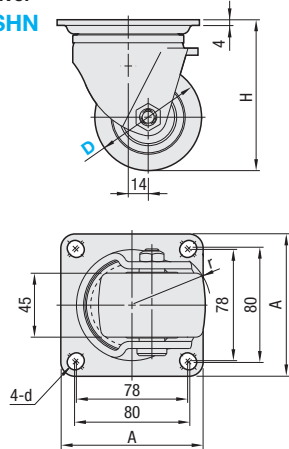


Type	Main Body		Wheel	Bearing	
	Material	Surface Treatment	Material (Color)	Swiveling Part	Wheel
CSHN-S	Low Carbon Steel	Trivalent Chromate	Reinforced Plastic (Black) Phenol (Black)	Incorporated	Incorporated
CSHNS-S	304 Stainless Steel	-	MC Nylon (Blue)	Incorporated	Incorporated

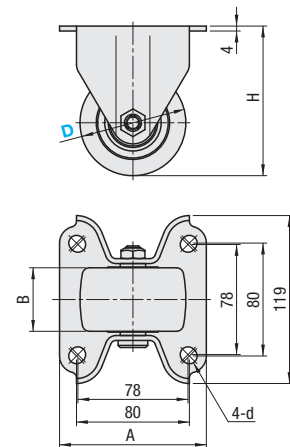
Type	Part Number		Wheel Material	H	d	r	B	t	Allowable Load (N)	Mass (g)	Unit Price		
	Type	D									H	P	N
Swivel	CSHN-S	50	H (Reinforced Plastic) P (Phenol) N (MC Nylon)	79	8.8	49	38	3.2	3000	700			
		65		90	56	40	750						
		75		100	61	40	850						
	CSHNS-S	50		79	49	38	670						
		65		90	8.8	56	40	715					
		75		100	61	40	3.0	2500	810				

Heavy Load **RoHS 10**

Swivel
CSHN



Locked
CSHK



Main Body	Wheel	Bearing		
			Material	Surface Treatment
Low Carbon Steel	Trivalent Chromate	Reinforced Nylon (Black)	Incorporated	Incorporated

Type	Part Number		Wheel Material	H	A	d	r	Allowable Load (N)	Mass (g)	Unit Price
	Type	D								
Swivel	CSHN	65	N (Reinforced Nylon)	92	100	11	50	6000	1700	
		75		106	55	1850				
		65		92	104	11	-		1300	
Locked	CSHK	75		106	11	-	6000	1560		

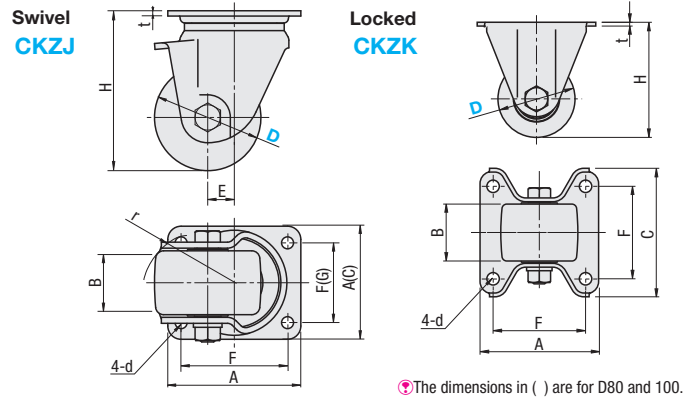
Ordering Example: Part Number - Wheel Material
CSHN-S75 - H
CSHN65 - N

Price [Configure Online](#)

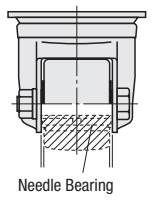
Days to Ship [Configure Online](#)

Super Heavy Load **RoHS 10**

Part Number	Main Body	Wheel	Seal	Bearing			
				Material	Swiveling Part	Material (Color)	Wheel
CKZJ	50	Low Carbon Steel	Trivalent Chromate	Reinforced Plastic (Black) Phenol (Black) MC Nylon (Blue) Electrically Conductive MC Nylon (Black)	Polypropylene	Incorporated	Incorporated (Double Ball Bearing)
CKZK	65, 75						
CKZJ	80, 100						



EX Example



Excels in load capacity as needle bearings are used for wheel bearings.

Type	Part Number		Wheel Material	B	H	A	C	F	G	d	t	E	r	Allowable Load (N)	Mass (g)	Unit Price		
	Type	D														H	P	N
Swivel Type	CKZJ	50	H (Reinforced Plastic) P (Phenol) N (MC Nylon) D (Electrically Conductive MC Nylon)	38	79	84	-	64	-	8.5	3.2	12	47	4000	820			
		65		48	107	100	85	80	60	9	4.5	14	54	5000	1540			
		75		140	150	110	121	59	13	20	63	8000	1680	-	-	-	-	
		*80		140	150	110	121	59	13	72	9000	2160	-	-	-	-		
		*100		38	79	85	90	64	-	8.5	-	-	4000	550				
		75		48	97	100	108	78	-	10.5	3.2	-	5000	1000				

* Wheel material for D80 and 100 type is N (MC nylon) only. D80 and 100 type can also be pulled by a powered mover if the operational speed is under 2km/h.

Ordering Example: Part Number - Wheel Material
CKZJ65 - P

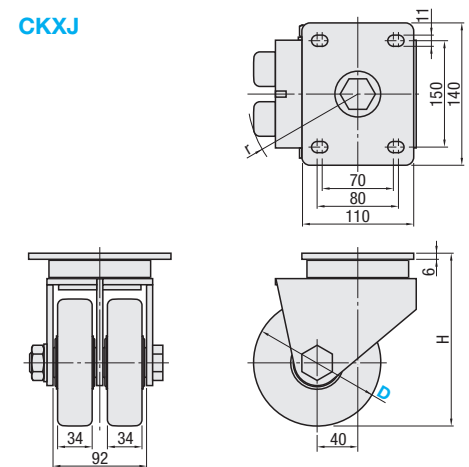
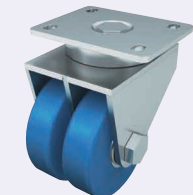
Price [Configure Online](#)

Days to Ship [Configure Online](#)

Feature: Has the max. allowable load in our lineup. Can be used for traction of large processing machines and devices by motor power.

Ultra Heavy Load **RoHS 10**

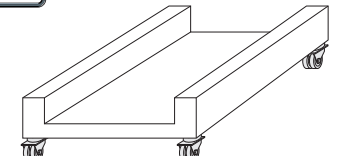
CKXJ



Main Body	Wheel	Bearing		
			Material	Surface Treatment
Low Carbon Steel	Trivalent Chromate	MC Nylon (Blue)	Incorporated	Incorporated

Type	Part Number		Wheel Material	H	r	Allowable Load (N)	Mass (g)	Unit Price	
	Type	D						1-4 pc(s).	5-9 pcs.
Swivel Type	CKXJ	100	M (MC Nylon)	150	97	10000	5300		
		125		170	109	13000	5700		
		150		200	121	15000	6300		

EX Example



Ordering Example: Part Number - Wheel Material
CKXJ100 - M

Days to Ship [Configure Online](#)

*For orders larger than indicated quantity, please request a quotation.