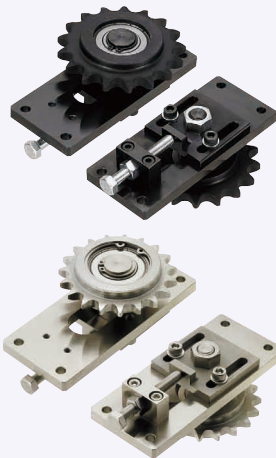


Tensioner Units

Slotted Hole, Adjusting Screw Type

Feature: Tensioner unit with easy assembly. Can be used by chain or belt drive.

RoHS 10

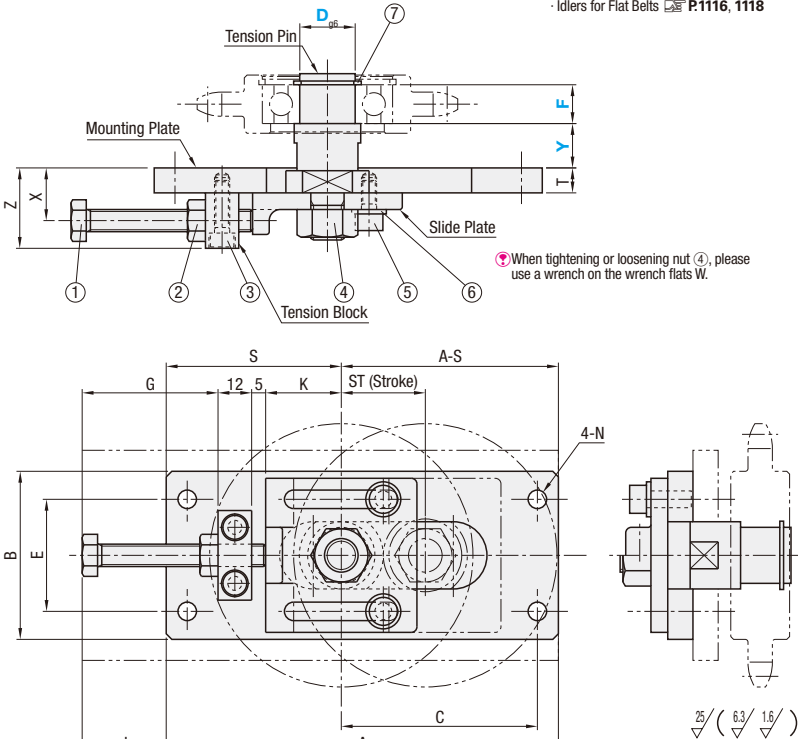


Ⓜ Idler is optional.

Type	Attachment Plate	Tension Pin	Slide Plate	Tension Block	Surface Treatment
TNSR	1018 Carbon Steel-D	1045 Carbon Steel	1045 Carbon Steel (Precision Casting)	1018 Carbon Steel-D	Black Oxide
TNSN					Electroless Nickel Plating

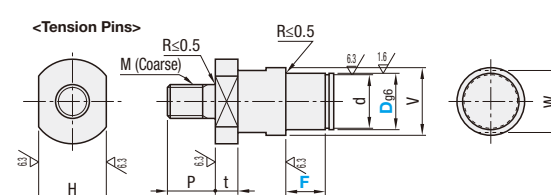
<Applicable Idlers>

- Chain Idlers ☑ P.1295-1298
- Idlers with teeth for timing belts ☑ P.1201-1212
- Idlers for Timing Belts ☑ P.1213
- Idlers for Flat Belts ☑ P.1116, 1118



When tightening or loosening nut ④, please use a wrench on the wrench flats W.

<Tension Pins>



Tension Pin Dimension Details

Dg6	V	d	t	P	H	W	M (Coarse)
10	13	9.6	5	13	15	11	M8
12	15	11.5				13	
15	20	14.3		16	20	17	M10
17	22	16.2	8	17	24	19	M12
20	24	19			24	22	

TNSR Accessories

Dg6	① Adjustment Screw	② Nut	③ (2 pcs) Hex Socket Head Cap Screw	④ Nut	⑤ (2 pcs) Hex Socket Head Cap Screw	⑥ (2 pcs.) Flat Washer	⑦ C Type Retaining Ring
10	M6x55	LBNR6	CB4-16	LBNR8	CB5-10	PWF5	STWN10
12							STWN12
15	M8x60	LBNR8	CB5-22	LBNR10	CB5-14		STWN15
17				LBNR12	CB6-16	PWF6	STWN17
20							STWN20

TNSN Accessories

Dg6	① Adjustment Screw	② Nut	③ (2 pcs) Stainless Steel Hex Socket Head Cap Screw	④ Nut	⑤ (2 pcs) Stainless Steel Hex Socket Head Cap Screw	⑥ (2 pcs.) Flat Washer	⑦ C Type Retaining Ring
10	M6x55	SLBNR6	M4x16	SLBNR8	M5x10	SPWF5	STWS10
12							STWS12
15	M8x60	SLBNR8	M5x22	SLBNR10	M5x14		STWS15
17				SLBNR12	M6x16	SPWF6	STWS17
20							STWS20

Part Number Type	1mm Increment		ST (Stroke)	A	B	T	J	C	E	G	K	S	X	Z	N	Unit Price		
	Dg6	Y														F	TNSR	TNSN
TNSR TNSN	10	10~50	8~50	25	120	50	6	24	55	35	42.0	22.5	57.5	14	21	5.5		
	12			25	125	55		31	57.5			25.5	60					
	15	12~60	10~50	25	125	55	9	30	70	40	48.5	27	62.5	19	29	6.6		
	17			30	140	60		30	70									
	20			30	140	60		30	70									

Ⓜ When D=10, 12, Y+F=80
Ⓜ When D=15-20, Y+F=120

Ordering Example: Part Number - Y - F
TNSR20 - Y15 - F12
TNSN15 - Y20 - F32

Price [Configure Online](#)


Days to Ship [Configure Online](#)

Tensioners / Slide Plates for Tension

Link Bar Type

Feature: Tensioners for intermediate tensioning which can be easily mounted with holes on the side of plate.

RoHS 10

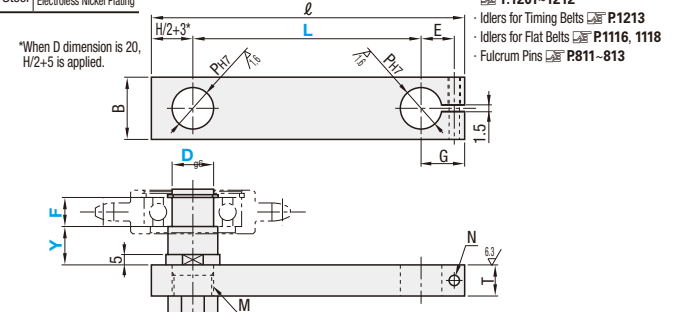


Ⓜ Idler is optional.

Type	Material	Surface Treatment
TNSRL	1045 Carbon Steel	Black Oxide
TNSNL	Carbon Steel	Electroless Nickel Plating

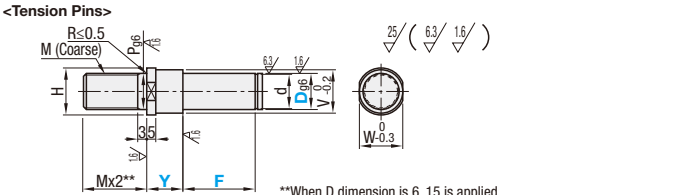
<Applicable Idlers>

- Chain Idlers ☑ P.1295-1298
- Idlers with teeth for timing belts ☑ P.1201-1212
- Idlers for Timing Belts ☑ P.1213
- Idlers for Flat Belts ☑ P.1116, 1118
- Fulcrum Pins ☑ P.811-813



When D dimension is 20, H/2+5 is applied.

<Tension Pins>



When D dimension is 6, 15 is applied.

Tension Pin Dimension Details

Dg6	V	d	H	W	P	M (Coarse)
6	8	5	10	8	6	M6
8	10	7	12	10	8	M8
10	13	9.6	15	13	10	M10
12	15	11.5	17	14	12	M12
15	18	14.3	20	17	12	M12
17	20	16.2	23	20	16	M16
20	24	19	26	24	20	M20

Accessories

Type	Accessories	Material
TNSRL	Retaining Ring C Type, Hex Socket Head Cap Screw, Nut, Washer	Steel
TNSNL		Stainless Steel

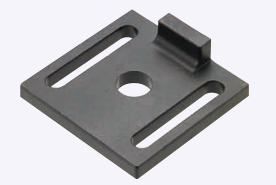
Part Number Type	1mm Increment				ℓ	B	T	E	G	N	Included Screw	Unit Price	
	Dg6	Y	F	L								TNSRL	TNSNL
TNSRL TNSNL	6				L+20			7	12	6.6	M6x25		
	8		6~75		L+23	25	10	8	14				
	10	7~50		30~200	L+25.5			9	15				
	12				L+27.5			10	16				
	15				L+31	30	12	12	18				
	17		10~75		L+34.5			14	20				
20				L+40	35	15	15	22	9	M8x35			

Ordering Example: Part Number - Y - F - L
TNSRL15 - Y12 - F10 - L50

Days to Ship [Configure Online](#)

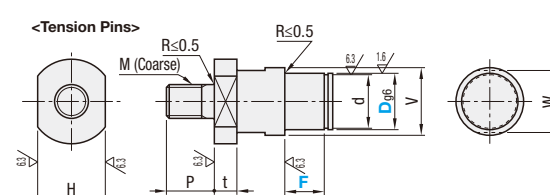
Price [Configure Online](#)

RoHS 10



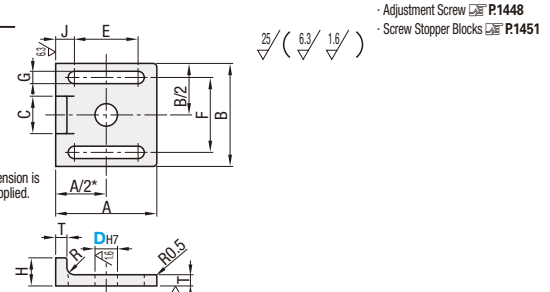
Type	Material	Surface Treatment
SDPT	1045 Carbon Steel (Precision Casting)	Black Oxide

<Tension Pins>



Feature: Slide Plates for Tensioner Unit (TNSR). Possible to use by directly installing on the side plates.

- Adjustment Screw ☑ P.1448
- Screw Stopper Blocks ☑ P.1451



When D dimension is 10, 25.5 is applied.

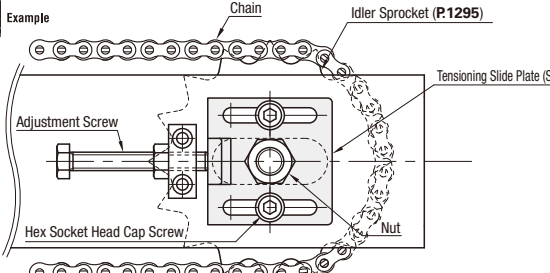
Part Number Type	DH7	A	B	H	F	E	G	T	C	J	Unit Price
											TNSR
SDPT	8	45	44	12	30	28	5.5	5	15	8.5	
	10	50	50	15	35	29	5.5	6	20	11	
	12	54	55	15	40	34	6.6	6	20	10	

Ordering Example: Part Number - SDPT8

Days to Ship [Configure Online](#)

Price [Configure Online](#)

Example



Chain, Idler Sprocket (P.1295), Tensioning Slide Plate (SDPT), Adjustment Screw, Hex Socket Head Cap Screw, Nut

Can be directly installed on side plates.