


Idlers

Belt Backside Tensioning

Idler shafts (cantilever shafts) are selectable from [P.771-794](#).
Tensioners can be selected from [P.1299-1300](#).



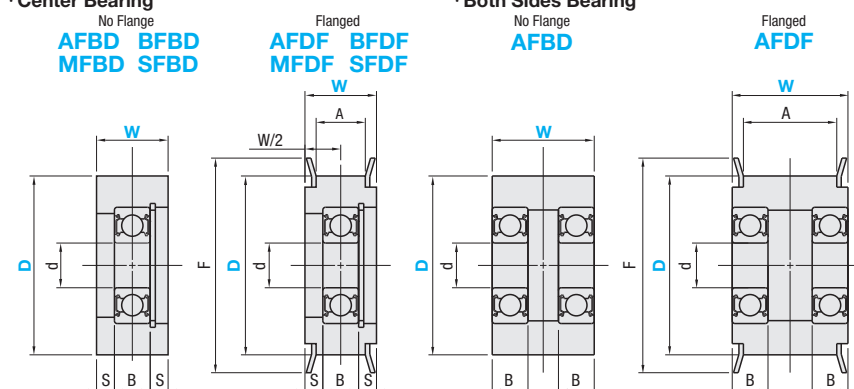
Type	Material	Bearing	Surface Treatment
No Flange	2017 Aluminum Alloy	5052 Aluminum Alloy	Clear Anodize
Flanged	1045 Carbon Steel	Low Carbon Steel	Black Oxide
	304 Stainless Steel	Stainless Steel	Electroless Nickel Plating

Center Bearing

No Flange: AFBF, BFBF, MFBF, SFBF
Flanged: AFDf, BFDF, MFDF, SFDF

Both Sides Bearing

No Flange: AFBF
Flanged: AFDf



⚠ Bearings are press-fitted. * Bearing Accuracy: JIS B1514 Class 0 (before press-fitting)

Center Bearing		Part Number										Bearing Dimensions		Retaining Ring		Unit Price										
Type	W	D	F	A	inch	mm	S	No.	d	B	AFBF	MFBF	SFBF	BFBF	AFDF	BFDF	MFDF	SFDF	AFBF	BFBF	MFBF	SFBF	AFDF	BFDF	MFDF	SFDF
No Flange	9	20	25	5	-	040	2.5	695ZZ	5	4	RTWS13	RTWN13														
	10	25	30	6	019	-	2.5	696ZZ	6	5	RTWS15	RTWN15														
	11	25	30	7	-	060	3.0	696ZZ	6	5	RTWS15	RTWN15														
	11.5	25	30	7.5	025	-	3.25	696ZZ	6	5	RTWS15	RTWN15														
	14	30	35	9	031	-	4	698ZZ	8	6	RTWS19	RTWN19														
	15	30	35	11	037	100	4.5	698ZZ	8	6	RTWS19	RTWN19														
Flanged	16	40	48	-	-	-	4	6000ZZ	10	8	RTWS26	RTWN26														
	19	30	36	-	-	-	6.5	698ZZ	8	6	RTWS19	RTWN19														
	19	35	45	14	050	-	5.5	628ZZ	8	8	RTWS24	RTWN24														
	19	45	55	-	-	-	5	6200ZZ	10	9	RTWS30	RTWN30														
	22	35	45	17	-	150	7	6000ZZ	10	8	RTWS26	RTWN26														
	22	45	55	-	-	-	6.5	6200ZZ	10	9	RTWS30	RTWN30														
	26	40	48	-	-	-	9	6000ZZ	10	8	RTWS26	RTWN26														
	26	45	55	21	075	-	8.5	6200ZZ	10	9	RTWS30	RTWN30														
	26	50	58	-	-	-	8.5	6200ZZ	10	9	RTWS30	RTWN30														

Both Sides Bearing		Part Number					Bearing Dimensions			Unit Price		
Type	W	Nominal	D	F	A	inch	mm	No.	d	B	No Flange	Flanged
No Flange	9	15	15	18	5	-	040	675ZZx2	5	2.5		
	9	20W	20	25	5	-	040	676ZZx2	6	3		
	11	15	15	18	7	-	060	675ZZx2	5	2.5		
	11	20	20	25	7	-	060	676ZZx2	6	3		
	11.5	15	15	18	7.5	025	-	675ZZx2	5	2.5		
	11.5	20	20	25	7.5	025	-	676ZZx2	6	3		
Flanged	15	20	20	25	11	037	100	686ZZx2	6	5		
	15	25	25	30	11	037	100	688ZZx2	8	5		
	19	25	25	32	14	050	-	688ZZx2	8	5		
	19	30W	30	36	14	050	-	688ZZx2	8	5		
	19	25	32	35	17	-	150	6000ZZx2	10	8		
	22	35W	35	45	17	-	150	6000ZZx2	10	8		
	26	40W	40	48	21	075	-	6000ZZx2	10	8		
	26	45W	45	55	21	075	-	6201ZZx2	12	10		
	27	60	60	67	22	-	200					
	32	45	45	55	27	-	100	250	6201ZZx2	12	10	
37	55	55	67	32	-	300						
45	65	65	74	32	-	300						
49	60	60	67	44	-	400						
49	70	70	80	44	-	400						
58	60	60	67	53	-	500						
59	70	70	80	54	200	-						

Center Bearing
Part Number - D
AFBD9 - 20

Both Sides Bearing
Part Number - Nominal
AFBD11 - 15


Days to Ship [Configure Online](#)

Price [Configure Online](#)

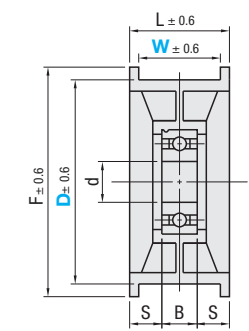
For Bearing Dimension Details [P.879, 883](#)
For Retaining Ring Dimension Details [P.2-250](#)

Idlers / Idler Shafts

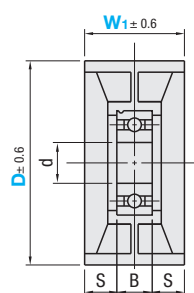
Plastic



TPBSN (Flanged Idler)




TPCFN (Flat Idler)

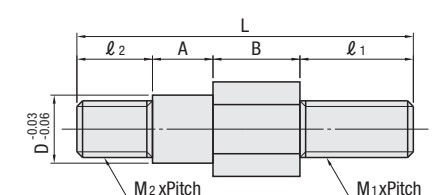


Operating Ambient Temp.: 80°C or lower * Bearing Accuracy: JIS B 1514 Class 0 M Material: Glass Reinforced Nylon (Engineered Plastic)

Part Number	TPBSN	TPCFN	F	L	S	Bearing Dimensions			Applicable Idler Shaft	TPBSN		TPCFN	
						No.	d	B		Unit Price	Volume Discount Rate	Unit Price	Volume Discount Rate
TPBSN TPCFN	38	15	18	42	18	4.5	6200ZZ	10	9	WS010S	1-10 pc(s)	11-29 pcs.	
	40	-	26	48	26	8	6201ZZ	12	10	WS116S, WS122S			
	45	20	-	50	25	7	6202ZZ	15	11	WS216S			
	46	-	25	52	25	7.5				WS112S, WS116S			
	50	25	31	62	31	10.5	6201ZZ	12	10	WS116S, WS122S			
	60	30	-	66	36	13							
	70	28	-	80	35	12	6202ZZ	15	11	WS216S, WS222S			



WS



For idler shafts of different sizes, refer to cantilever shafts [P.771-794](#).

M Material: 1045 Carbon Steel
S Surface Treatment: Black Oxide
A Accessories: Nut 2 pcs., Spring Washer 2 pcs.

Part Number	A	B	D	l1	M1xPitch	l2	M2xPitch	E	L	Unit Price	Volume Discount Rate
										1-10 pc(s)	11-29 pcs.
WS	010S	8.5	10	10	17				47.5		
	112S					12			55.5		
	116S	9.5	16	12					59.5		
	122S				20		14	M10x1.5	65.5		
	216S								60.5		
	222S	10.5	22	15					66.5		

Ordering Example Part Number - W (W1)
TPCFN50 - 31
WS222S

Days to Ship [Configure Online](#)