

Sensor Rails



Sensor Rails are made out of extruded 6063-T5 aluminum. They are clear anodized. There are three different profiles available to accommodate for numerous mounting orientations. See application examples for mounting suggestions.

U-SENAK (Standard)
U-SENA (Configurable Length)

U-SENBK (Standard)
U-SENB (Configurable Length)

U-SENBK (Standard)
U-SENC (Configurable Length)

Material 6063-T5 Aluminum
Surface Treatment Clear Anodizing
Material Characteristics P.629

No anodizing on cutting surfaces.

Standard (Callout" is the compatible metric nut size.)

| Part No. Type | Callout | Selection (in) | A | B | C | D | E | d | e | \$ Unit Price (Qty. 1~4) | | | |
|-------------------|---------|----------------|-------------------|-------------------|-------------------|------------------|-------------------|-------------------|-----------------|--------------------------|-------|-------|--------|
| | | | | | | | | | | L4.00 | L6.00 | L8.00 | L12.00 |
| U-SENAK | 3 | 4.00 | 0.134 (3.4 mm) | 0.224 (5.7 mm) | 0.118 (3 mm) | 0.354 (9 mm) | 0.236 (6 mm) | 0.059 (1.5 mm) | - | 3.80 | 4.20 | 4.60 | 5.40 |
| | 4 | 6.00 8.00 | 0.177 (4.5 mm) | 0.283 (7.2 mm) | 0.157 (4 mm) | 0.433 (11 mm) | 0.315 (8 mm) | 0.079 (2 mm) | - | 4.60 | 5.00 | 5.40 | 6.20 |
| | 5 | 12.00 | 0.217 (5.5 mm) | 0.323 (8.2 mm) | 0.217 (5.5 mm) | 0.472 (12 mm) | 0.374 (9.5 mm) | 0.079 (2 mm) | - | 5.40 | 5.80 | 6.20 | 7.00 |
| U-SENBK U-SENC | 3 | 4.00 | 0.134 (3.4 mm) | 0.224 (5.7 mm) | 0.118 (3 mm) | 0.354 (9 mm) | 0.236 (6 mm) | 0.059 (1.5 mm) | 0.079 (2 mm) | 6.00 | 6.40 | 6.80 | 7.60 |
| | 4 | 6.00 8.00 | 0.177 (4.5 mm) | 0.283 (7.2 mm) | 0.157 (4 mm) | 0.433 (11 mm) | 0.315 (8 mm) | 0.079 (2 mm) | 0.079 (2 mm) | 6.80 | 7.20 | 7.60 | 8.40 |
| | 5 | 12.00 | 0.217 (5.5 mm) | 0.323 (8.2 mm) | 0.217 (5.5 mm) | 0.472 (12 mm) | 0.374 (9.5 mm) | 0.079 (2 mm) | 0.118 (3 mm) | 7.60 | 8.00 | 8.40 | 9.20 |

Order Example The part number consists only of the fields with blue characters.

Part No. — L

Type Callout

U-SENAK 5 — L 6.00

Days to Ship **1** Day

Price

Quantity Discount Rate

| Quantity | 1~4 | 5~19 | 20~49 | 50~ |
|----------|-----|------|-------|-----|
| Rate | — | 2% | 3% | 5% |

For larger quantity orders "Days to Ship" may differ from published catalog term. P.29

Configurable Length (Callout" is the compatible metric nut size.)

| Part No. Type | Callout | L Choose in 0.01" Increments | A | B | C | D | E | d | e |
|------------------|---------|---------------------------------|-------------------|-------------------|-------------------|------------------|-------------------|-------------------|-----------------|
| U-SENA | 3 | 2.00 ~ 48.00 | 0.134 (3.4 mm) | 0.224 (5.7 mm) | 0.118 (3 mm) | 0.354 (9 mm) | 0.236 (6 mm) | 0.059 (1.5 mm) | - |
| | 4 | 2.00 ~ 48.00 | 0.177 (4.5 mm) | 0.283 (7.2 mm) | 0.157 (4 mm) | 0.433 (11 mm) | 0.315 (8 mm) | 0.079 (2 mm) | - |
| | 5 | 2.00 ~ 48.00 | 0.217 (5.5 mm) | 0.323 (8.2 mm) | 0.217 (5.5 mm) | 0.472 (12 mm) | 0.374 (9.5 mm) | 0.079 (2 mm) | - |
| U-SENB U-SENC | 3 | 2.00 ~ 48.00 | 0.134 (3.4 mm) | 0.224 (5.7 mm) | 0.118 (3 mm) | 0.354 (9 mm) | 0.236 (6 mm) | 0.059 (1.5 mm) | 0.079 (2 mm) |
| | 4 | 2.00 ~ 48.00 | 0.177 (4.5 mm) | 0.283 (7.2 mm) | 0.157 (4 mm) | 0.433 (11 mm) | 0.315 (8 mm) | 0.079 (2 mm) | 0.079 (2 mm) |
| | 5 | 2.00 ~ 48.00 | 0.217 (5.5 mm) | 0.323 (8.2 mm) | 0.217 (5.5 mm) | 0.472 (12 mm) | 0.374 (9.5 mm) | 0.079 (2 mm) | 0.118 (3 mm) |

Order Example The part number consists only of the fields with blue characters.

Part No. — L

Type Callout

U-SENB 3 — L 12.25

Days to Ship Standard **6** Days Express **4** Days (Specify Express A) \$5.00/piece P.30

Non-Returnable P.30 A flat charge of \$13.50 for 3 or more identical pieces.

Price

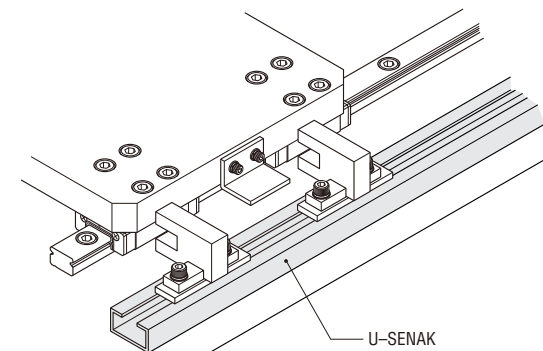
Quantity Discount Rate

| Quantity | 1~4 | 5~19 | 20~49 | 50~ |
|----------|-----|------|-------|-----|
| Rate | — | 5% | 10% | 15% |

For larger quantity orders "Days to Ship" may differ from published catalog term. P.29

| Part No. Type | Callout | \$ Unit Price (Qty. 1~4) | | | | | | |
|------------------|---------|--------------------------|-------|-------|--------|--------|--------|--------|
| | | L2.00 | L4.01 | L8.01 | L16.01 | L24.01 | L32.01 | L40.01 |
| U-SENA | 3 | 4.40 | 5.20 | 6.20 | 8.00 | 10.70 | 13.40 | 16.00 |
| | 4 | 5.20 | 6.00 | 7.20 | 9.00 | 11.70 | 14.60 | 17.50 |
| | 5 | 6.00 | 6.80 | 8.20 | 10.00 | 12.70 | 15.80 | 19.00 |
| U-SENB U-SENC | 3 | 6.60 | 7.40 | 8.40 | 10.20 | 12.90 | 15.90 | 19.00 |
| | 4 | 7.40 | 8.20 | 9.40 | 11.20 | 13.90 | 17.10 | 20.50 |
| | 5 | 8.20 | 9.00 | 10.40 | 12.20 | 14.90 | 18.30 | 22.00 |

Example



Related Components



Bar Nuts
P.591

Express Options
P.30

MISUMI
www.misumiusa.com E-mail: inquire@misumiusa.com

TEL.1-847-843-9105 FAX.1-847-843-9107 TOLL FREE TEL.1-800-681-7475 TOLL FREE FAX.1-800-681-7402