

Urethane Bumpers –Counterbored, Configurable Dimension–

Urethane Bumpers are available in Ether Polyurethane (the harder, shore A90 option) and Ester Polyurethane (shore A70 and the soft shore A50 type). These bumpers are counterbored. You can specify all of the part's dimensions in 0.01" increments. View the application example at the bottom of the page for mounting and usage reference.

| Material | Hardness | Type |
|--------------------|-----------|--------|
| Ether Polyurethane | Shore A90 | U-AZFH |
| Ester Polyurethane | Shore A70 | U-AZFM |
| | Shore A50 | U-AZFL |

Material Characteristics **P.534**

| V, H, G Tolerance | |
|-------------------|--------------|
| Dimension | Tol. V, H, G |
| 0.50 ~ 1.50 | ± 0.010 |
| 1.51 ~ 3.50 | ± 0.020 |
| 3.51 ~ 5.94 | ± 0.020 |

Surface Roughness: Unless otherwise specified $1000\sqrt{\text{ }}$

| Part No. | Choose in 0.01" Increments | | | | | Color Selection | \$ Unit Price (Qty. 1~4) | | |
|--------------------|----------------------------|-------------|---------------------|----------------------------------|-------------|----------------------|--------------------------|--------|--------|
| | D | V | H | G | L | | U-AZFH | U-AZFM | U-AZFL |
| U-AZFH (Shore A90) | 0.31 ~ 0.50 | 0.12 ~ 0.40 | 0.12 ≤ H < L - 0.06 | 0.12 ~ 1.80 | 0.24 ~ 1.50 | N (Natural Color) | 7.20 | 10.00 | 10.80 |
| | 0.31 ~ 0.50 | 0.12 ~ 0.40 | 0.12 ≤ H < L - 0.06 | When L-H ≤ 1.20, G ≤ D - 0.16 | 1.51 ~ 2.50 | | 7.80 | 10.90 | 11.80 |
| | 0.31 ~ 0.50 | 0.12 ~ 0.40 | 0.12 ≤ H < L - 0.06 | min 0.08 | 2.51 ~ 3.00 | | 8.30 | 11.50 | 12.40 |
| | 0.51 ~ 1.00 | 0.12 ~ 0.80 | 0.12 ≤ H < L - 0.06 | 1.20 or less | 0.24 ~ 1.50 | | 9.40 | 13.00 | 14.00 |
| | 0.51 ~ 1.00 | 0.12 ~ 0.80 | 0.12 ≤ H < L - 0.06 | | 1.51 ~ 2.50 | | 10.00 | 14.00 | 15.00 |
| | 0.51 ~ 1.00 | 0.12 ~ 0.80 | 0.12 ≤ H < L - 0.06 | | 2.51 ~ 3.00 | | 11.00 | 15.50 | 16.60 |
| | 1.01 ~ 1.50 | 0.20 ~ 1.00 | 0.20 ≤ H < L - 0.06 | | 0.32 ~ 1.50 | | 12.50 | 17.30 | 18.70 |
| | 1.01 ~ 1.50 | 0.20 ~ 1.00 | 0.20 ≤ H < L - 0.06 | | 1.51 ~ 2.50 | | 14.10 | 19.90 | 21.30 |
| | 1.01 ~ 1.50 | 0.20 ~ 1.00 | 0.20 ≤ H < L - 0.06 | When L-H ≥ 1.21, G ≤ D - 0.24 | 2.51 ~ 3.00 | | 15.60 | 21.90 | 23.50 |
| | 1.51 ~ 2.00 | 0.20 ~ 1.60 | 0.20 ≤ H < L - 0.06 | min 0.12 | 1.00 ~ 1.50 | | 19.20 | 26.90 | 28.80 |
| U-AZFM (Shore A70) | 1.51 ~ 2.00 | 0.20 ~ 1.60 | 0.20 ≤ H < L - 0.06 | | 1.51 ~ 2.50 | 22.90 | 31.80 | 34.20 | |
| | 1.51 ~ 2.00 | 0.20 ~ 1.60 | 0.20 ≤ H < L - 0.06 | | 2.51 ~ 3.00 | 26.40 | 35.50 | 39.70 | |
| | 1.51 ~ 2.00 | 0.20 ~ 1.60 | 0.20 ≤ H < L - 0.06 | | 3.01 ~ 4.00 | 37.90 | 53.10 | 57.00 | |
| | 1.51 ~ 2.00 | 0.20 ~ 1.60 | 0.20 ≤ H < L - 0.06 | 1.21 or more | 4.01 ~ 6.00 | 63.50 | 89.00 | 95.40 | |
| | 1.51 ~ 2.00 | 0.20 ~ 1.60 | 0.20 ≤ H < L - 0.06 | | | | | | |
| U-AZFL (Shore A50) | | | | | | B (Black) | | | |

Order Example **The part number consists only of the fields with blue characters.**

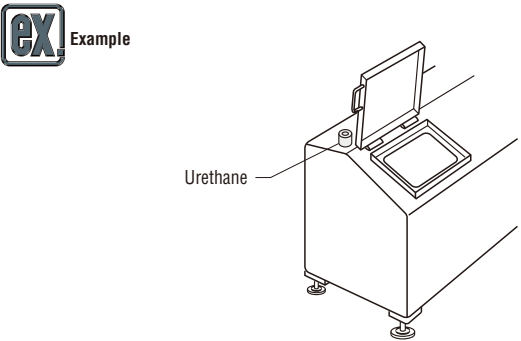
Part No. **U-AZFH** - **D 2.00** - **V 0.63** - **H 0.75** - **G 1.00** - **L 2.50** - **Color Selection B**

Days to Ship **8** Days
Non-Returnable **P.30**

Price **Quantity Discount Rate**

| Quantity | 1-4 | 5-19 | 20-49 | 50- |
|----------|-----|------|-------|-----|
| Rate | — | 5% | 15% | 30% |

For larger quantity orders "Days to Ship" may differ from published catalog term. **P.29**



Flanged Collars for Urethane Bumpers

These 1045 C.R.S. Collars are designed for use with Counterbored Urethane Bumpers from P.537. They work with standard inch Socket Head Cap Screws. See compatible thread column.

U-AZC

Material 1045 Steel
Surface Treatment Black Oxide
Material Characteristics **P.534**

Surface Roughness: Unless otherwise specified $1000\sqrt{\text{ }}$

| Type | Part No. | | d | D | H | T | L | h | \$ Unit Price (Qty. 1~4) |
|-------|-------------|-------------------------------|-------|-------|-------|-------|-------|-------|--------------------------|
| | Callout | Bolt Size / Compatible Thread | | | | | | | |
| U-AZC | 5 | #5 | 0.141 | 0.219 | 0.188 | 0.078 | 0.266 | 0.297 | 1.40 |
| | 8 | #8 | 0.180 | 0.266 | 0.313 | 0.078 | 0.391 | 0.344 | 1.40 |
| | 10 | #10 | 0.206 | 0.313 | 0.313 | 0.078 | 0.391 | 0.406 | 1.40 |
| | 0.25 | 1/4 | 0.281 | 0.375 | 0.313 | 0.078 | 0.391 | 0.469 | 1.70 |
| | 0.31 | 5/16 | 0.344 | 0.453 | 0.313 | 0.078 | 0.391 | 0.578 | 2.00 |
| | 0.38 | 3/8 | 0.406 | 0.531 | 0.375 | 0.125 | 0.500 | 0.656 | 2.50 |
| | 0.50 | 1/2 | 0.531 | 0.672 | 0.375 | 0.125 | 0.500 | 0.813 | 3.20 |

Order Example **The part number consists only of the fields with blue characters.**

Part No. **U-AZC 0.50**

Days to Ship **1** Day

Price **Quantity Discount Rate**

| Quantity | 1-4 | 5-19 | 20-49 | 50- |
|----------|-----|------|-------|-----|
| Rate | — | 2% | 3% | 5% |

For larger quantity orders "Days to Ship" may differ from published catalog term. **P.29**

- Contents
- How to Use the Catalog
- Linear Motion
- Linear Shafts
- Bushings
- Shaft Supports
- Shaft Collars
- Linear Guides
- Rotary Motion
- Rotary Shafts
- Bearings w/ Housings
- Pulleys Belts Couplings
- Locating Components
- Locating Pins & Bushings
- Locating Components
- General Components
- Pivot Pins
- Floating Joints
- Posts
- Device Stands
- Strut Clamps
- Angle Plates
- Gussets
- Welded Stands
- Washers
- Collars
- Manifolds
- Urethanes
- Rubbers
- Plates
- Misc.
- Technical Data
- Business Information
- Index