

Clamping Bases



The Clamping Bases are available in carbon steel with either black oxide or electroless nickel plating finish. The compact profile of the base allows mounting when having space constraint. Clamping hardware included.

Material	Surface Treatment	Included Hardware	Type
1018 Steel	Black Oxide	S.H.C.S. (2 pcs)	U-CLSB
	Electroless Nickel Plating		U-CLSM

Material Characteristics **P.628**

General Tolerance
Unless otherwise specified use the table below.

From	To	Tolerance
0.000	5.000	±0.01
5.001	16.000	±0.02
16.001	60.000	±0.05

Thread or hole location tolerance: ±0.005' non-cumulative.

There is a groove for burr removal in the (C) part.
There may be a slit groove in the (B) part.
Surface Roughness: Unless otherwise specified $R_{a} 250$

Type	Part No.				A	B	L	\$ Unit Price (Qty. 1-4)	
	Callout	Nominal	Tolerance					U-CLSB	U-CLSM
			0.63	0.75					
U-CLSB U-CLSM	0.63	5/8	0.6257	0.6250	2.25	1.38	1.56	72.20	80.30
	0.75	3/4	0.7508	0.7500	2.75	1.75	1.88	75.40	84.60
	1.00	1"	1.0008	1.0000	3.50	2.19	2.50	91.70	102.80

Order Example The part number consists only of the fields with blue characters. Please refer to the table below for technical information.

Part No. D

Type D

U-CLSM 0.75

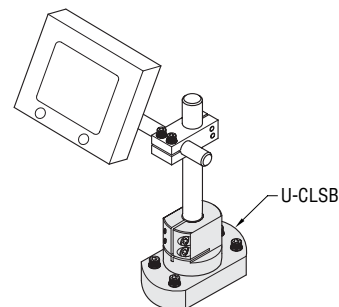
D tolerance and perpendicularity are verified before the slit machining process. Due to possible internal spring force this product may require higher clamping force.

Technical Information

D (Callout)	T	D1	F	G	b	C	S	H	Y	d	d1	TA (Thread)		h	f	e	W
												Size	Major Dia.				
0.63	0.375	1.250	1.500	0.875	0.206	1.031	0.344	0.438	0.250	0.180	0.313	#8-32	0.164	0.813	0.875	0.906	0.063
0.75	0.500	1.563	1.875	1.063	0.281	1.250	0.406	0.563	0.282	0.206	0.375	#10-32	0.190	0.969	1.000	1.125	0.078
1.00	0.500	2.000	2.375	1.375	0.344	1.625	0.500	0.719	0.375	0.281	0.438	1/4-20	0.250	1.344	1.250	1.438	0.078

Days to Ship **1** Day

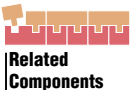
EX Example



Price **Quantity Discount Rate**

Quantity	1-4	5-9	10-19	20~
Rate	—	2%	3%	5%

For larger quantity orders 'Days to Ship' may differ from published catalog term. **P.29**



Struts P.451

Strut Clamps P.457

Clamping Brackets



The Clamping Bracket configuration allows side mounting and the shaft or strut may be installed either horizontally or vertically. Available in carbon steel with black oxide or electroless nickel plating finish. Clamping hardware included.

Material	Surface Treatment	Included Hardware	Type
1018 Steel	Black Oxide	S.H.C.S. (2 pcs)	U-CLTB
	Electroless Nickel Plating		U-CLTM

Material Characteristics **P.628**

General Tolerance
Unless otherwise specified use the table below.

From	To	Tolerance
0.000	5.000	±0.01
5.001	16.000	±0.02
16.001	60.000	±0.05

Thread or hole location tolerance: ±0.005' non-cumulative.

Surface Roughness: Unless otherwise specified $R_{a} 250$

Type	Part No.				A	B	L	\$ Unit Price (Qty. 1-4)	
	Callout	Nominal	Tolerance					U-CLTB	U-CLTM
			0.63	0.75					
U-CLTB U-CLTM	0.63	5/8	0.6257	0.6250	2.00	1.56	1.44	88.40	98.30
	0.75	3/4	0.7508	0.7500	2.25	1.88	1.72	90.50	101.40
	1.00	1"	1.0008	1.0000	2.75	2.50	2.00	110.00	123.40

Order Example The part number consists only of the fields with blue characters. Please refer to the table below for technical information.

Part No. D

Type D

U-CLTB 0.63

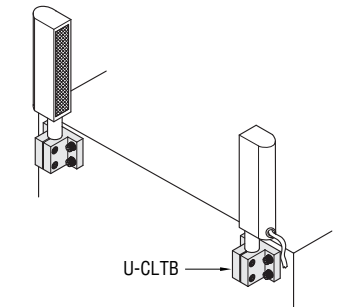
D tolerance and perpendicularity are verified before the slit machining process. Due to possible internal spring force this product may require higher clamping force.

Technical Information

D (Callout)	T	F	G	K	h	H	E	d	d1	Z	TA (Thread)		W
											Size	Major Dia.	
0.63	0.375	1.500	0.938	0.206	0.750	0.469	1.000	0.206	0.375	0.206	#10-32	0.190	0.063
0.75	0.438	1.750	1.125	0.281	0.875	0.563	1.125	0.281	0.438	0.281	1/4-20	0.250	0.078
1.00	0.500	2.125	1.500	0.344	1.000	0.688	1.375	0.281	0.438	0.281	1/4-20	0.250	0.078

Days to Ship **1** Day

EX Example



Price **Quantity Discount Rate**

Quantity	1-4	5-9	10-19	20~
Rate	—	2%	3%	5%

For larger quantity orders 'Days to Ship' may differ from published catalog term. **P.29**

Express Options **P.30**

MISUMI
www.misumiusa.com E-mail: inquire@misumiusa.com

TEL. 1-847-843-9105 FAX. 1-847-843-9107 TOLL FREE TEL. 1-800-681-7475 TOLL FREE FAX. 1-800-681-7402

Contents

How to Use the Catalog

Linear Motion

Linear Shafts

Bushings

Shaft Supports
Shaft Collars

Linear Guides

Rotary Motion

Rotary Shafts

Bearings w/
Housings

Pulleys
Belts
Couplings

Locating Components

Locating Pins & Bushings

Locating Components

General Components

Pivot Pins
Floating Joints

Posts
Device Stands
Strut Clamps

Angle Plates
Gussets
Welded Stands

Washers
Collars

Manifolds

Urethanes
Rubbers

Plates

Misc.

Technical Data

Business Information

Index