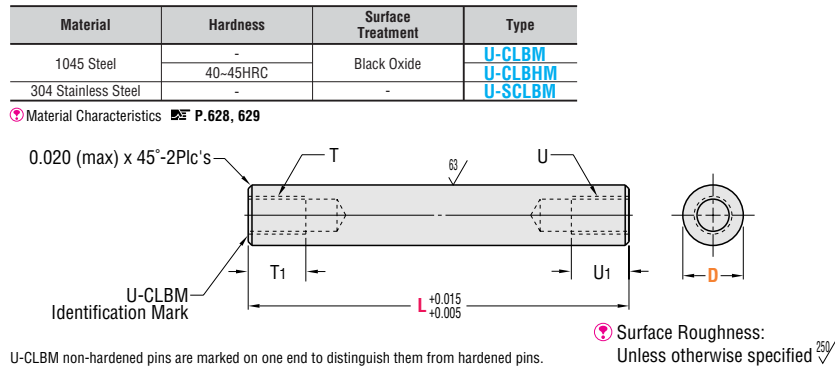


Precision Pivot Pins –Both Ends Tapped–

Our Precision Pivot Pins are offered in many popular configurations with configurable length selection (with very fine 0.001" increments). All pins have very high precision O.D. tolerance for consistent fit and good functional reliability. Available in 1045 Steel soft / hard and 304 stainless steel. Thread size modification is available for this product. Simply add the modification ordering code to the end of the part number.

Price Revision
□: New Price



Type	Part No.			L Choose in 0.001" Increments	\$ Unit Price			
	Callout	Nominal	Tolerance		U-CLBM	U-CLBHM	U-SCLBM	
U-CLBM U-CLBHM U-SCLBM	0.25	1/4	0.2498	0.2494	0.750 ~ 4.000	5.30	6.60	7.90
	0.38	3/8	0.3748	0.3744	0.750 ~ 4.000	7.60	9.10	10.90
	0.50	1/2	0.4998	0.4994	1.000 ~ 5.500	9.70	10.90	13.90
	0.63	5/8	0.6248	0.6244	1.250 ~ 5.500	12.80	13.00	15.60
	0.75	3/4	0.7497	0.7492	1.250 ~ 5.500	16.30	17.30	20.60
1.00	1"	0.9997	0.9992	1.500 ~ 5.500	21.00	21.90	25.40	

When L ≤ thread dia.x4, the threaded hole will be through. The part number consists only of the fields with blue characters.
When L ≤ thread dia.x5, the pilot hole will be through. Please refer to the table below for technical information.

Order Example

Part No.

Type

U-CLBM 0.50 - L 4.000

Technical Information

D	T, U (Thread)	T1, U1
0.25	1/4	#6-32 0.28
0.38	3/8	#8-32 0.33
0.50	1/2	#10-32 0.38
0.63	5/8	1/4-20 0.50
0.75	3/4	5/16-18 0.63
1.00	1"	3/8-16 0.75

Days to Ship

Standard **6** Days **Express 4** Days (Specify Express A) \$ 2.00/piece P.30

Non-Returnable P.30 A flat charge of \$5.40 for 3 or more identical pieces.

Quantity Discount Rate

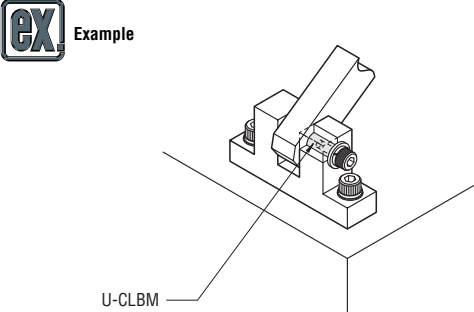
Quantity	1	2-4	5-19	20+
Rate	-	5%	15%	20%

For larger quantity orders "Days to Ship" may differ from published catalog term. P.29

Optional Modification

Part No. (Ordering Code) (UC, TC)

U-CLBM 0.50 - L 4.000 - TC 8



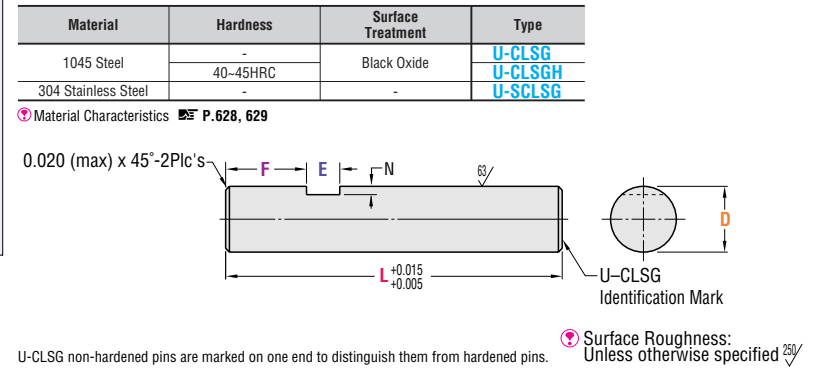
Optional Modification		Thread Size Modification																																																																												
Ordering Code		TC, UC																																																																												
Detail		<table border="1"> <thead> <tr> <th colspan="2">Example</th> <th colspan="5">TC, UC Selection</th> </tr> <tr> <th>D</th> <th></th> <th>#5-40</th> <th>#6-32</th> <th>#8-32</th> <th>#10-32</th> <th>1/4-20</th> <th>5/16-18</th> </tr> </thead> <tbody> <tr> <td>0.25</td> <td>5</td> <td></td> <td></td> <td></td> <td></td> <td></td> <td></td> </tr> <tr> <td>0.38</td> <td>5</td> <td>6</td> <td></td> <td></td> <td></td> <td></td> <td></td> </tr> <tr> <td>0.50</td> <td>6</td> <td>8</td> <td></td> <td></td> <td></td> <td></td> <td></td> </tr> <tr> <td>0.63</td> <td>8</td> <td></td> <td>10</td> <td></td> <td></td> <td></td> <td></td> </tr> <tr> <td>0.75</td> <td>10</td> <td></td> <td></td> <td>0.25</td> <td></td> <td></td> <td></td> </tr> <tr> <td>1.00</td> <td></td> <td></td> <td></td> <td>0.25</td> <td>0.31</td> <td></td> <td></td> </tr> <tr> <td>Thread Depth</td> <td></td> <td>0.25</td> <td>0.28</td> <td>0.33</td> <td>0.38</td> <td>0.50</td> <td>0.63</td> </tr> </tbody> </table>						Example		TC, UC Selection					D		#5-40	#6-32	#8-32	#10-32	1/4-20	5/16-18	0.25	5							0.38	5	6						0.50	6	8						0.63	8		10					0.75	10			0.25				1.00				0.25	0.31			Thread Depth		0.25	0.28	0.33	0.38	0.50	0.63
Example		TC, UC Selection																																																																												
D		#5-40	#6-32	#8-32	#10-32	1/4-20	5/16-18																																																																							
0.25	5																																																																													
0.38	5	6																																																																												
0.50	6	8																																																																												
0.63	8		10																																																																											
0.75	10			0.25																																																																										
1.00				0.25	0.31																																																																									
Thread Depth		0.25	0.28	0.33	0.38	0.50	0.63																																																																							
\$Price Adder		2.00																																																																												

When using Optional Modification, add the "Price Adder" to the standard "Unit Price".

Precision Pivot Pins –Set Screw Flat–

Our Precision Pivot Pins are offered in many popular configurations with configurable length selection (with very fine 0.001" increments). All pins have very high precision O.D. tolerance for consistent fit and good functional reliability. Available in 1045 Steel soft / hard and 304 stainless steel. Additional tapped hole modification is available for this product. Simply add the modification ordering code to the end of the part number.

Price Revision
□: New Price



Type	Part No.			L Choose in 0.001" Increments	Choose in 0.01" Increments		N	\$ Unit Price			
	Callout	Nominal	Tolerance		F	E		U-CLSG	U-CLSGH	U-SCLSG	
U-CLSG U-CLSGH U-SCLSG	0.13	1/8	0.1249	0.1246	0.500 ~ 2.000	0 ≤ F ≤ L/2	0.05 ~ 2.00	0.020	6.60	6.80	9.50
	0.19	3/16	0.1874	0.1871	0.500 ~ 2.500	0 ≤ F ≤ L/2	0.05 ~ 2.00	0.020	6.80	7.20	10.00
	0.25	1/4	0.2498	0.2494	0.750 ~ 4.000	0 ≤ F ≤ L/2	0.05 ~ 2.00	0.020	7.70	9.50	11.30
	0.38	3/8	0.3748	0.3744	0.750 ~ 4.000	0 ≤ F ≤ L/2	0.05 ~ 2.00	0.031	9.70	10.00	13.80
	0.50	1/2	0.4998	0.4994	1.000 ~ 5.500	0 ≤ F ≤ L/2	0.05 ~ 2.00	0.050	10.60	13.80	15.60
	0.63	5/8	0.6248	0.6244	1.250 ~ 5.500	0 ≤ F ≤ L/2	0.05 ~ 2.00	0.050	13.90	15.40	20.40
	0.75	3/4	0.7497	0.7492	1.250 ~ 5.500	0 ≤ F ≤ L/2	0.05 ~ 2.00	0.050	16.50	17.70	23.80
	1.00	1"	0.9997	0.9992	1.500 ~ 5.500	0 ≤ F ≤ L/2	0.05 ~ 2.00	0.050	20.60	22.20	29.60

The part number consists only of the fields with blue characters.
F=0 or F ≥ 0.05

Order Example

Part No.

Type

U-CLSG 0.50 - L 4.000 - F 0 - E 0.38

Days to Ship

Standard **6** Days **Express 4** Days (Specify Express A) \$ 2.00/piece P.30

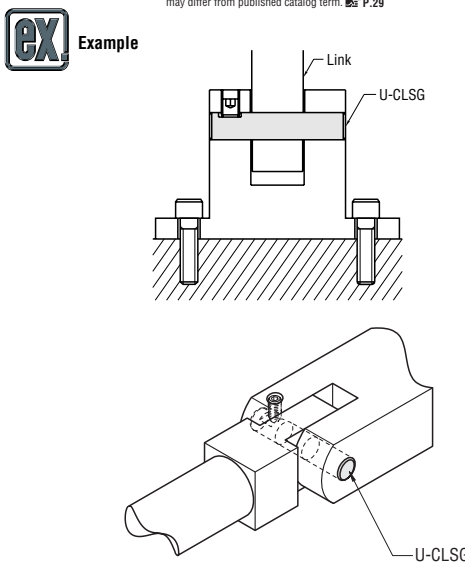
Non-Returnable P.30 A flat charge of \$5.40 for 3 or more identical pieces.

Price

Optional Modification

Part No. (Ordering Code)

U-CLSG 0.50 - L 4.000 - F 0 - E 0.38 - TTC



Optional Modification		Tapped Hole Modification																																	
Ordering Code		TTC																																	
Detail		<table border="1"> <thead> <tr> <th colspan="4">Example</th> </tr> <tr> <th>D</th> <th>Thread</th> <th>Thread Dia.</th> <th>ℓ</th> </tr> </thead> <tbody> <tr> <td>0.25</td> <td>#5-40</td> <td>0.125</td> <td>0.25</td> </tr> <tr> <td>0.38</td> <td>#8-32</td> <td>0.164</td> <td>0.33</td> </tr> <tr> <td>0.50</td> <td>#8-32</td> <td>0.164</td> <td>0.33</td> </tr> <tr> <td>0.63</td> <td>#10-32</td> <td>0.190</td> <td>0.38</td> </tr> <tr> <td>0.75</td> <td>1/4-20</td> <td>0.250</td> <td>0.50</td> </tr> <tr> <td>1.00</td> <td>1/4-20</td> <td>0.250</td> <td>0.50</td> </tr> </tbody> </table>		Example				D	Thread	Thread Dia.	ℓ	0.25	#5-40	0.125	0.25	0.38	#8-32	0.164	0.33	0.50	#8-32	0.164	0.33	0.63	#10-32	0.190	0.38	0.75	1/4-20	0.250	0.50	1.00	1/4-20	0.250	0.50
Example																																			
D	Thread	Thread Dia.	ℓ																																
0.25	#5-40	0.125	0.25																																
0.38	#8-32	0.164	0.33																																
0.50	#8-32	0.164	0.33																																
0.63	#10-32	0.190	0.38																																
0.75	1/4-20	0.250	0.50																																
1.00	1/4-20	0.250	0.50																																
\$Price Adder		2.00																																	

When using Optional Modification, add the "Price Adder" to the standard "Unit Price".

