

Bushings for Locating Pins - Flange Mounted - Round Flange

Price Revision

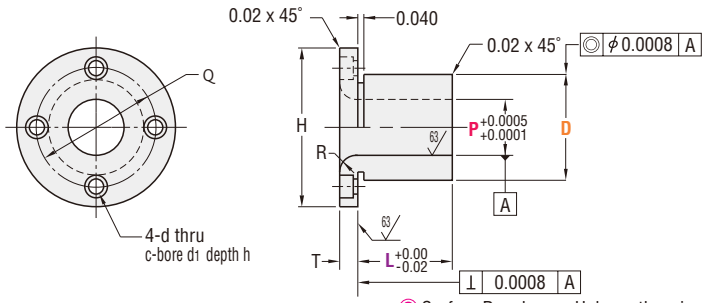
☐ New Price

The Flanged Bushings are designed for direct mounting on a flat surface of the fixture/pallet. A small undercut helps to fully insert the bushing O.D. inside the positioning bore. Used mainly in combination with locating pins, the bushings are very precise. Available in O1 tool steel and stainless steel. A fine 0.0005" I.D. increments helps you precisely specify the size.



Material	Surface Treatment	Hardness	Type
O1 Tool Steel	-	60HRC ~	U-JBYF
	Black Oxide	60HRC ~	U-JBYFB
	Electroless Nickel Plating	60HRC ~	U-JBYFM
440C Stainless Steel	-	56HRC ~	U-JBYFC

Material Characteristics P.628, 629



Surface Roughness: Unless otherwise specified 250

General Tolerance Unless otherwise specified use the table below.

From	To	Tolerance
0.000	5.000	±0.01
5.001	16.000	±0.02
16.001	60.000	±0.05

Thread or hole location tolerance: ±0.005" non-cumulative.

Type	Part No.			P Choose in 0.0005" Increments	L Selection							R	H	T	Q	d	d1	h	
	Callout	Nominal	Tolerance		5/16	3/8	1/2	5/8	3/4	1"	1-1/4								1-3/8
U-JBYF U-JBYFB U-JBYFM U-JBYFC	0.38	3/8	0.3748 0.3744	0.1875 - 0.2280	0.31	0.38							0.04	1.00	0.203	0.688	0.154	0.281	0.154
	0.41	13/32	0.4060 0.4056	0.1935 - 0.2570	0.31	0.38	0.50						0.04	1.00	0.203	0.688	0.154	0.281	0.154
	0.50	1/2	0.4998 0.4994	0.1935 - 0.3160	0.31	0.38	0.50	0.63					0.06	1.13	0.203	0.813	0.154	0.281	0.154
	0.63	5/8	0.6248 0.6244	0.3125 - 0.4375	0.38	0.50	0.63	0.75	1.00				0.06	1.50	0.250	1.063	0.206	0.375	0.206
	0.75	3/4	0.7497 0.7492	0.3125 - 0.5310		0.50	0.63	0.75	1.00	1.25			0.09	1.50	0.250	1.063	0.206	0.375	0.206
	0.88	7/8	0.8747 0.8742	0.5000 - 0.6560		0.50	0.63	0.75	1.00	1.25			0.09	1.63	0.250	1.188	0.206	0.375	0.206
	1.00	1"	0.9997 0.9992	0.5000 - 0.7655		0.50	0.63	0.75	1.00	1.25			0.09	1.75	0.250	1.313	0.206	0.375	0.206
	1.25	1-1/4	1.2496 1.2490	0.8595 - 0.9375		0.63	0.75	1.00	1.25	1.38	1.50		0.13	2.00	0.250	1.563	0.206	0.375	0.206
1.38	1-3/8	1.3746 1.3740	0.8595 - 1.0320		0.63	0.75	1.00	1.25	1.38	1.50		0.13	2.38	0.375	1.875	0.281	0.438	0.281	

Order Example The part number consists only of the fields with blue characters.

Part No. - P - L
Type D
U-JBYF 1.00 - P 0.6875 - L 1.25

Selection Criteria: L+T≤Px3

Days to Ship Standard 8 Days Non-Returnable P.30
Express 5 Days Specify Express B \$2.00/piece P.30
A flat charge of \$5.40 for 3 or more identical pieces.

Quantity Discount Rate

Quantity	Rate
1-4	5%
5-9	10%
10-19	15%
20-	15%

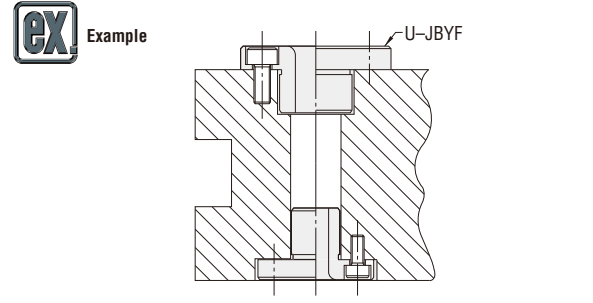
For larger quantity orders "Days to Ship" may differ from published catalog term. P.29

D	\$ Unit Price (Qty. 1-4)			
	U-JBYF	U-JBYFB	U-JBYFM	U-JBYFC
0.38	19.60	21.80	23.40	37.40
0.41	19.60	21.80	23.40	37.40
0.50	19.60	21.80	23.40	37.40
0.63	21.50	23.70	25.60	41.00
0.75	23.70	26.00	28.40	44.80
0.88	27.50	29.70	32.90	52.50
1.00	27.50	29.70	32.90	52.50
1.25	35.40	37.60	42.60	67.80
1.38	39.20	41.40	47.10	74.90

Optional Modification Part No. - P - L - (Ordering Code)
Type D
U-JBYF 1.00 - P 0.6875 - L 1.25 - RC

Optional Modification	Ordering Code	Detail	\$ Price Adder
Inner Diameter Radius	RC	Adding inner diameter radius on the other end. • D0.38, 0.41 → R0.04 • D0.50, 0.63 → R0.06 • D0.75, 0.88, 1.00 → R0.09 • D1.25, 1.38 → R0.13 Example RC	3.00

When using Optional Modification, add the "Price Adder" to the standard "Unit Price".



Related Components

- Locating Pins P.325
- Locating Pins P.329
- Locating Pins for Jigs & Fixtures P.355
- Locating Pins for Jigs & Fixtures P.357

Bushings for Locating Pins - Flange Mounted - Compact Flange

Price Revision

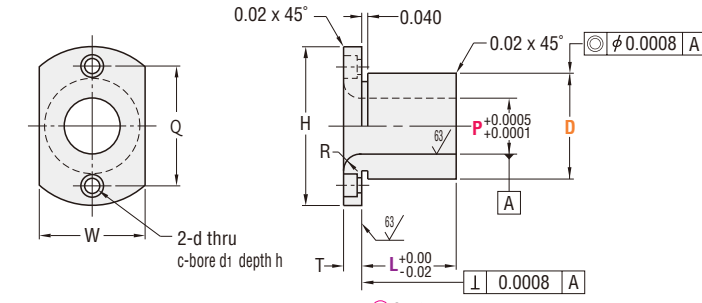
☐ New Price

The Flanged Bushings are designed for direct mounting on a flat surface of the fixture/pallet. A small undercut helps to fully insert the bushing O.D. inside the positioning bore. Used mainly in combination with locating pins, the bushings are very precise. Available in O1 tool steel and stainless steel. A fine 0.0005" I.D. increments helps you precisely specify the size. Compact flange type works well in areas with tight dimensional constrain.



Material	Surface Treatment	Hardness	Type
O1 Tool Steel	-	60HRC ~	U-JBNF
	Black Oxide	60HRC ~	U-JBNFB
	Electroless Nickel Plating	60HRC ~	U-JBNFM
440C Stainless Steel	-	56HRC ~	U-JBNFC

Material Characteristics P.628, 629



Surface Roughness: Unless otherwise specified 250

General Tolerance Unless otherwise specified use the table below.

From	To	Tolerance
0.000	5.000	±0.01
5.001	16.000	±0.02
16.001	60.000	±0.05

Thread or hole location tolerance: ±0.005" non-cumulative.

Type	Part No.			P Choose in 0.0005" Increments	L Selection							R	H	T	Q	W	d	d1	h	
	Callout	Nominal	Tolerance		5/16	3/8	1/2	5/8	3/4	1"	1-1/4									1-3/8
U-JBNF U-JBNFB U-JBNFM U-JBNFC	0.38	3/8	0.3748 0.3744	0.1875 - 0.2280	0.31	0.38							0.04	1.00	0.203	0.688	0.50	0.154	0.281	0.154
	0.41	13/32	0.4060 0.4056	0.1935 - 0.2570	0.31	0.38	0.50						0.04	1.00	0.203	0.688	0.50	0.154	0.281	0.154
	0.50	1/2	0.4998 0.4994	0.1935 - 0.3160	0.31	0.38	0.50	0.63					0.06	1.13	0.203	0.813	0.63	0.154	0.281	0.154
	0.63	5/8	0.6248 0.6244	0.3125 - 0.4375	0.38	0.50	0.63	0.75	1.00				0.06	1.50	0.250	1.063	0.88	0.206	0.375	0.206
	0.75	3/4	0.7497 0.7492	0.3125 - 0.5310		0.50	0.63	0.75	1.00	1.25			0.09	1.50	0.250	1.063	0.88	0.206	0.375	0.206
	0.88	7/8	0.8747 0.8742	0.5000 - 0.6560		0.50	0.63	0.75	1.00	1.25			0.09	1.63	0.250	1.188	1.00	0.206	0.375	0.206
	1.00	1"	0.9997 0.9992	0.5000 - 0.7655		0.50	0.63	0.75	1.00	1.25			0.09	1.75	0.250	1.313	1.13	0.206	0.375	0.206
	1.25	1-1/4	1.2496 1.2490	0.8595 - 0.9375		0.63	0.75	1.00	1.25	1.38	1.50		0.13	2.00	0.250	1.563	1.38	0.206	0.375	0.206
1.38	1-3/8	1.3746 1.3740	0.8595 - 1.0320		0.63	0.75	1.00	1.25	1.38	1.50		0.13	2.38	0.375	1.875	1.50	0.281	0.438	0.281	

Order Example The part number consists only of the fields with blue characters.

Part No. - P - L
Type D
U-JBNF 1.00 - P 0.6875 - L 1.25

Selection Criteria: L+T≤Px3

Days to Ship Standard 8 Days Non-Returnable P.30
Express 5 Days Specify Express B \$2.00/piece P.30
A flat charge of \$5.40 for 3 or more identical pieces.

Quantity Discount Rate

Quantity	Rate
1-4	5%
5-9	10%
10-19	15%
20-	15%

For larger quantity orders "Days to Ship" may differ from published catalog term. P.29

D	\$ Unit Price (Qty. 1-4)			
	U-JBNF	U-JBNFB	U-JBNFM	U-JBNFC
0.38	21.60	23.80	25.90	41.10
0.41	21.60	23.80	25.90	41.10
0.50	21.60	23.80	25.90	41.10
0.63	23.70	25.70	28.30	45.10
0.75	26.00	28.40	31.10	49.70
0.88	30.30	32.50	36.30	57.80
1.00	30.30	32.50	36.30	57.80
1.25	38.90	41.10	46.80	74.50
1.38	43.10	45.20	51.70	82.30

Express Options P.30

MISUMI
www.misumiusa.com E-mail: inquire@misumiusa.com

TEL. 1-847-843-9105 FAX. 1-847-843-9107 TOLL FREE TEL. 1-800-681-7475 TOLL FREE FAX. 1-800-681-7402

Contents

- How to Use the Catalog
- Linear Motion
- Linear Shafts
- Bushings
- Shaft Supports
- Shaft Collars
- Linear Guides
- Rotary Motion
- Rotary Shafts
- Bearings w/ Housings
- Pulleys Belts Couplings
- Locating Components
- Locating Pins & Bushings
- Locating Components
- General Components
- Pivot Pins Floating Joints
- Posts Device Stands Strut Clamps
- Angle Plates Gussets Welded Stands
- Washers Collars
- Manifolds
- Urethanes Rubbers
- Plates
- Misc.
- Technical Data
- Business Information
- Index