

Bearings with Housings –Double Bearings with Pilots–



The Pilot Type Bearings with Housings are available in three different mounting flange configurations: Round, Square and Compact.
The O.D. of the shorter side of the housing is manufactured with fine tolerance and can be used as a locating pilot.
You can choose from a variety of spacing configurations between the two bearings inside the housing, so it can best fit your application.

| Material | Surface Treatment | Type | |
|---------------------|----------------------------|----------------|----------------|
| | | Round | Square |
| 1045 Steel | Electroless Nickel Plating | U-BGRY | U-BGSY |
| 2017 Aluminum | Clear Anodizing | U-BARY | U-BASY |
| 304 Stainless Steel | - | U-SBGRY | U-SBGSY |

Material Characteristics P.628, 629

Bearing Tolerance: ABEC-1 ANSI/ABMA20-1987 P.274

Round

Square

General Tolerance: Unless otherwise specified use the table below.

| From | To | Tolerance |
|--------|--------|-----------|
| 0.000 | 5.000 | ±0.01 |
| 5.001 | 16.000 | ±0.02 |
| 16.001 | 60.000 | ±0.05 |

Thread or hole location tolerance: ±0.005' non-cumulative.

Surface Roughness: Unless otherwise specified.

| Part No. | Type | Bearing No. | L Selection | | | | | | \$ Unit Price (Qty. 1-9) | | | | | |
|---|---------------|-------------|-------------|-------------|-------------|-------------|-------------|---------|--------------------------|--------|---------|--------|--------|---------|
| | | | 1-1/2 | 1-3/4 | 2" | 2-1/4 | 2-1/2 | 2-3/4 | Round | | | Square | | |
| | | | U-BGRY | U-BARY | U-SBGRY | U-BGSY | U-BASY | U-SBGSY | U-BGRY | U-BARY | U-SBGRY | U-BGSY | U-BASY | U-SBGSY |
| Round U-BGRY U-BARY U-SBGRY Square U-BGSY U-BASY U-SBGSY | 6000ZZ | 1.50 | | 2.00 | | | | 40.50 | 44.20 | 63.40 | 45.30 | 50.20 | 72.10 | |
| | 6001ZZ | 1.50 | | 2.00 | | | | 41.60 | 47.70 | 65.80 | 46.70 | 53.50 | 74.50 | |
| | 6002ZZ | | 1.75 | | | 2.50 | | 44.80 | 49.90 | 74.20 | 50.10 | 56.00 | 83.60 | |
| | 6003ZZ | | | 2.00 | | 2.50 | | 49.20 | 57.60 | 93.50 | 56.50 | 63.70 | 105.40 | |
| | 6004ZZ | | | | 2.25 | | 2.75 | | 50.40 | 58.10 | 97.00 | 56.90 | 65.60 | 109.20 |
| | 6005ZZ | | | | 2.25 | | 2.75 | | 51.80 | 59.80 | 98.60 | 58.40 | 67.20 | 110.30 |

Order Example The part number consists only of the fields with blue characters. Please refer to the table below for technical information.

Part No. — **L**

Type Bearing No.

U-BGRY 6000ZZ — L 1.50

Technical Information

| Bearing No. | d | | D (H7) | | B | | L1 | H | T | dh | D1 | | | D2 | P.C.D. | K | d2 | d1 | H1 | Compatible Bolt |
|---------------|----|--------|--------|--------|----|-------|-------|------|-------|-------|-----------|----------------|-----------|------|--------|------|-------|-------|-------|-----------------|
| | mm | Inch | mm | Inch | mm | Inch | | | | | Dimension | Tolerance (in) | Dimension | | | | | | | |
| 6000ZZ | 10 | 0.3937 | 26 | 1.0236 | 8 | 0.315 | 0.375 | 1.94 | 0.313 | 0.866 | 1.2500 | 1.2496 | 1.2487 | 1.19 | 1.563 | 1.50 | 0.180 | 0.313 | 0.180 | #8 |
| 6001ZZ | 12 | 0.4724 | 28 | 1.1024 | 8 | 0.315 | 0.375 | 2.06 | 0.313 | 0.945 | 1.3125 | 1.3121 | 1.3112 | 1.25 | 1.625 | 1.56 | 0.180 | 0.313 | 0.180 | #8 |
| 6002ZZ | 15 | 0.5906 | 32 | 1.2598 | 9 | 0.354 | 0.500 | 2.38 | 0.375 | 1.102 | 1.5000 | 1.4996 | 1.4987 | 1.44 | 1.875 | 1.81 | 0.206 | 0.375 | 0.206 | #10 |
| 6003ZZ | 17 | 0.6693 | 35 | 1.3780 | 10 | 0.394 | 0.625 | 2.56 | 0.375 | 1.220 | 1.6875 | 1.6871 | 1.6862 | 1.63 | 2.063 | 1.94 | 0.206 | 0.375 | 0.206 | #10 |
| 6004ZZ | 20 | 0.7874 | 42 | 1.6535 | 12 | 0.472 | 0.625 | 2.94 | 0.438 | 1.417 | 1.8750 | 1.8746 | 1.8737 | 1.88 | 2.375 | 2.31 | 0.281 | 0.438 | 0.281 | 1/4 |
| 6005ZZ | 25 | 0.9843 | 47 | 1.8504 | 12 | 0.472 | 0.625 | 3.38 | 0.500 | 1.614 | 2.1250 | 2.1246 | 2.1234 | 2.13 | 2.750 | 2.63 | 0.344 | 0.531 | 0.344 | 5/16 |

The D (H7) is a standard fit representing clearance fit tolerance. P.608

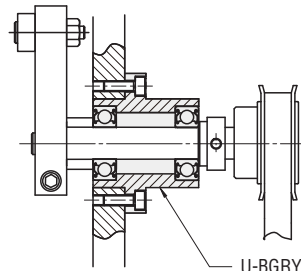
Days to Ship **1** Day

EX Example

Price

| Quantity Discount Rate | | | | |
|------------------------|-----|-------|-------|-----|
| Quantity | 1-9 | 10-19 | 20-49 | 50- |
| Rate | — | 2% | 3% | 5% |

For larger quantity orders "Days to Ship" may differ from published catalog term. P.29



Related Components



| Material | Surface Treatment | Type | |
|---------------------|----------------------------|----------------|----------------|
| | | Compact | Compact |
| 1045 Steel | Electroless Nickel Plating | U-BGCY | U-BGSY |
| 2017 Aluminum | Clear Anodizing | U-BACY | U-BASY |
| 304 Stainless Steel | - | U-SBGCY | U-SBGSY |

Material Characteristics P.628, 629

Bearing Tolerance: ABEC-1 ANSI/ABMA20-1987 P.274

Round

Compact

General Tolerance: Unless otherwise specified use the table below.

| From | To | Tolerance |
|--------|--------|-----------|
| 0.000 | 5.000 | ±0.01 |
| 5.001 | 16.000 | ±0.02 |
| 16.001 | 60.000 | ±0.05 |

Thread or hole location tolerance: ±0.005' non-cumulative.

Surface Roughness: Unless otherwise specified.

| Part No. | Type | Bearing No. | L Selection | | | | | | \$ Unit Price (Qty. 1-9) | | | | |
|---|---------------|-------------|-------------|-------------|-------------|-------------|-------------|-------------|--------------------------|--------|---------|--|--|
| | | | 1" | 1-1/4 | 1-1/2 | 1-3/4 | 2" | 2-1/4 | 2-1/2 | 2-3/4 | Compact | | |
| | | | U-BGCY | U-BACY | U-SBGCY | U-BGSY | U-BASY | U-SBGSY | U-BGCY | U-BACY | U-SBGCY | | |
| Compact U-BGCY U-BACY U-SBGCY | 626ZZ | 1.00 | 1.25 | | | | | 40.20 | 43.90 | 65.40 | | | |
| | 628ZZ | | 1.25 | 1.50 | | | | 42.30 | 47.90 | 67.30 | | | |
| | 6000ZZ | | | 1.50 | | 2.00 | | 43.40 | 48.40 | 69.00 | | | |
| | 6001ZZ | | | 1.50 | | 2.00 | | 44.90 | 51.30 | 72.50 | | | |
| | 6002ZZ | | | | 1.75 | | 2.50 | 48.50 | 55.50 | 80.40 | | | |
| | 6003ZZ | | | | | 2.00 | 2.50 | 53.10 | 61.30 | 103.90 | | | |
| | 6004ZZ | | | | | | 2.25 | 2.75 | 54.60 | 62.70 | 105.00 | | |
| | 6005ZZ | | | | | | 2.25 | 2.75 | 57.00 | 63.90 | 106.50 | | |

Order Example The part number consists only of the fields with blue characters. Please refer to the table below for technical information.

Part No. — **L**

Type Bearing No.

U-BGCY 6000ZZ — L 1.50

Technical Information

| Bearing No. | d | | D (H7) | | B | | L1 | H | T | dh | D1 | | | D2 | W | A | F | d2 | d1 | H1 | Compatible Bolt |
|---------------|----|--------|--------|--------|----|-------|-------|------|-------|-------|-----------|----------------|-----------|------|------|-------|-------|-------|-------|-------|-----------------|
| | mm | Inch | mm | Inch | mm | Inch | | | | | Dimension | Tolerance (in) | Dimension | | | | | | | | |
| 626ZZ | 6 | 0.2362 | 19 | 0.7480 | 6 | 0.236 | 0.250 | 1.63 | 0.313 | 0.591 | 0.8750 | 0.8747 | 0.8739 | 0.88 | 0.94 | 1.250 | - | 0.180 | 0.313 | 0.180 | #8 |
| 628ZZ | 8 | 0.3150 | 24 | 0.9449 | 8 | 0.315 | 0.313 | 1.81 | 0.313 | 0.787 | 1.1250 | 1.1247 | 1.1239 | 1.06 | 1.25 | 1.438 | - | 0.180 | 0.313 | 0.180 | #8 |
| 6000ZZ | 10 | 0.3937 | 26 | 1.0236 | 8 | 0.315 | 0.375 | 1.94 | 0.313 | 0.866 | 1.2500 | 1.2496 | 1.2487 | 1.19 | 1.31 | 1.563 | - | 0.180 | 0.313 | 0.180 | #8 |
| 6001ZZ | 12 | 0.4724 | 28 | 1.1024 | 8 | 0.315 | 0.375 | 2.06 | 0.313 | 0.945 | 1.3125 | 1.3121 | 1.3112 | 1.25 | 1.38 | 1.625 | - | 0.180 | 0.313 | 0.180 | #8 |
| 6002ZZ | 15 | 0.5906 | 32 | 1.2598 | 9 | 0.354 | 0.500 | 2.38 | 0.375 | 1.102 | 1.5000 | 1.4996 | 1.4987 | 1.44 | 1.63 | 1.875 | - | 0.206 | 0.375 | 0.206 | #10 |
| 6003ZZ | 17 | 0.6693 | 35 | 1.3780 | 10 | 0.394 | 0.625 | 2.56 | 0.375 | 1.220 | 1.6875 | 1.6871 | 1.6862 | 1.63 | 1.75 | 1.750 | 1.125 | 0.206 | 0.375 | 0.206 | #10 |
| 6004ZZ | 20 | 0.7874 | 42 | 1.6535 | 12 | 0.472 | 0.625 | 2.94 | 0.438 | 1.417 | 1.8750 | 1.8746 | 1.8737 | 1.88 | 2.00 | 2.125 | 1.188 | 0.281 | 0.438 | 0.281 | 1/4 |
| 6005ZZ | 25 | 0.9843 | 47 | 1.8504 | 12 | 0.472 | 0.625 | 3.38 | 0.500 | 1.614 | 2.1250 | 2.1246 | 2.1234 | 2.13 | 2.25 | 2.375 | 1.375 | 0.344 | 0.531 | 0.344 | 5/16 |

The D (H7) is a standard fit representing clearance fit tolerance. P.608

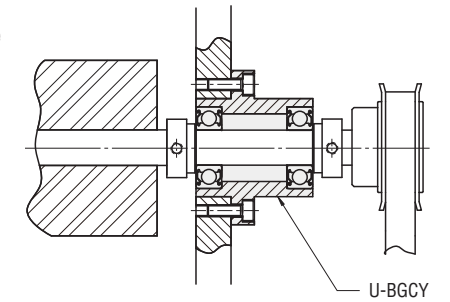
Days to Ship **1** Day

EX Example

Price

| Quantity Discount Rate | | | | |
|------------------------|-----|-------|-------|-----|
| Quantity | 1-9 | 10-19 | 20-49 | 50- |
| Rate | — | 2% | 3% | 5% |

For larger quantity orders "Days to Ship" may differ from published catalog term. P.29



Express Options P.30

MISUMI
www.misumiusa.com E-mail: inquire@misumiusa.com

TEL.1-847-843-9105 FAX.1-847-843-9107 TOLL FREE TEL.1-800-681-7475 TOLL FREE FAX.1-800-681-7402