


Bearings with Housings –Standard–

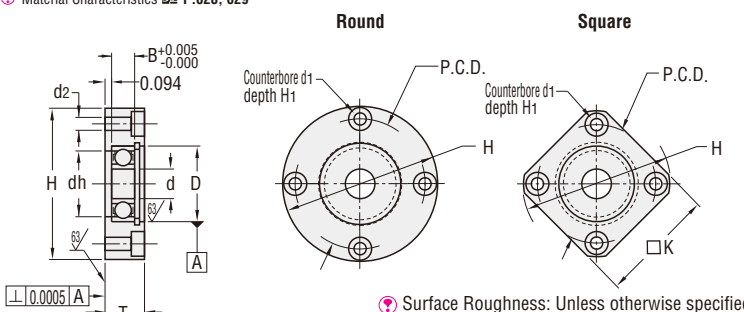
There are three flange shape configurations available with the standard Bearing With Housing Unit. The deep groove metric bearings are held inside the housing with help of an internal retaining ring.



Material	Surface Treatment	Type	
		Round	Square
1045 Steel	Electroless Nickel Plating	U-BGRA	U-BGSA
2017 Aluminum	Clear Anodizing	U-BARA	U-BASA
304 Stainless Steel	-	U-SBGR	U-SBGS

Bearing Tolerance: ABEC-1 ANSI/ABMA20-1987 P.274
Included Hardware: Retaining Ring (304 Stainless Steel)

Material Characteristics P.628, 629



General Tolerance
Unless otherwise specified use the table below.

From	To	Tolerance
0.000	5.000	±0.01
5.001	16.000	±0.02
16.001	60.000	±0.05

Thread or hole location tolerance: ±0.005* non-cumulative.

Surface Roughness: Unless otherwise specified

Part No.	Type	Bearing No.	d		D (H7)		B		H	T	dh	P.C.D.	K	d2	d1	H1	Compatible Bolt
			mm	Inch	mm	Inch	mm	Inch									
Round	U-BGRA	6000ZZ	10	0.3937	26	1.0236	8	0.315	1.94	0.531	0.866	1.563	1.50	0.180	0.313	0.180	#8
Round	U-BARA	6001ZZ	12	0.4724	28	1.1024	8	0.315	2.06	0.531	0.945	1.625	1.56	0.180	0.313	0.180	#8
Round	U-SBGR	6002ZZ	15	0.5906	32	1.2598	9	0.354	2.38	0.563	1.102	1.875	1.81	0.206	0.375	0.206	#10
Square	U-BGSA	6003ZZ	17	0.6693	35	1.3780	10	0.394	2.56	0.656	1.220	2.063	1.94	0.206	0.375	0.206	#10
Square	U-BASA	6004ZZ	20	0.7874	42	1.6535	12	0.472	2.94	0.750	1.417	2.375	2.31	0.281	0.438	0.281	1/4
Square	U-SBGS	6005ZZ	25	0.9843	47	1.8504	12	0.472	3.38	0.750	1.614	2.750	2.63	0.344	0.531	0.344	5/16

Order Example The part number consists only of the fields with blue characters. The D (H7) is a standard fit representing clearance fit tolerance. P.608

Part No. **6000ZZ**

Type **U-BGRA** Bearing No. **6000ZZ**

Days to Ship **1** Day


Price

Quantity Discount Rate

Quantity	Rate
1-9	-
10-19	2%
20-49	3%
50-	5%

*For larger quantity orders "Days to Ship" may differ from published catalog term. P.29

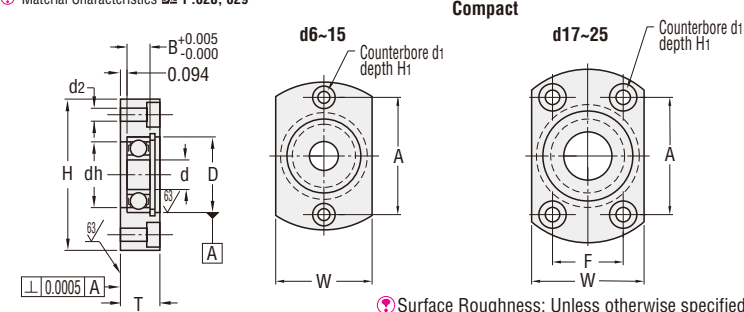
Bearing No.	\$ Unit Price (Qty. 1-9)					
	Round			Square		
	U-BGRA	U-BARA	U-SBGR	U-BGSA	U-BASA	U-SBGS
6000ZZ	19.40	21.70	31.20	21.80	24.40	35.40
6001ZZ	20.00	23.20	32.50	22.60	26.00	36.60
6002ZZ	21.60	24.20	36.50	24.40	27.50	41.40
6003ZZ	23.80	27.20	44.90	26.50	30.50	49.70
6004ZZ	24.60	28.40	48.10	27.70	31.90	54.50
6005ZZ	25.30	-	-	28.40	-	-



Material	Surface Treatment	Type
		Compact
1045 Steel	Electroless Nickel Plating	U-BGCA
2017 Aluminum	Clear Anodizing	U-BACA
304 Stainless Steel	-	U-SBGCA

Bearing Tolerance: ABEC-1 ANSI/ABMA20-1987 P.274
Included Hardware: Retaining Ring (304 Stainless Steel)

Material Characteristics P.628, 629



General Tolerance
Unless otherwise specified use the table below.

From	To	Tolerance
0.000	5.000	±0.01
5.001	16.000	±0.02
16.001	60.000	±0.05

Thread or hole location tolerance: ±0.005* non-cumulative.

Surface Roughness: Unless otherwise specified

Part No.	Type	Bearing No.	d		D (H7)		B		H	T	dh	W	A	F	d2	d1	H1	Compatible Bolt
			mm	Inch	mm	Inch	mm	Inch										
Compact	U-BGCA	626ZZ	6	0.2362	19	0.7480	6	0.236	1.63	0.438	0.591	0.94	1.250	-	0.180	0.313	0.180	#8
Compact	U-BGCA	628ZZ	8	0.3150	24	0.9449	8	0.315	1.81	0.531	0.787	1.25	1.438	-	0.180	0.313	0.180	#8
Compact	U-BACA	6000ZZ	10	0.3937	26	1.0236	8	0.315	1.94	0.531	0.866	1.31	1.563	-	0.180	0.313	0.180	#8
Compact	U-BACA	6001ZZ	12	0.4724	28	1.1024	8	0.315	2.06	0.531	0.945	1.38	1.625	-	0.180	0.313	0.180	#8
Compact	U-SBGCA	6002ZZ	15	0.5906	32	1.2598	9	0.354	2.38	0.563	1.102	1.63	1.875	-	0.206	0.375	0.206	#10
Compact	U-SBGCA	6003ZZ	17	0.6693	35	1.3780	10	0.394	2.56	0.656	1.220	1.75	1.750	1.125	0.206	0.375	0.206	#10
Compact	U-SBGCA	6004ZZ	20	0.7874	42	1.6535	12	0.472	2.94	0.750	1.417	2.00	2.125	1.188	0.281	0.438	0.281	1/4
Compact	U-SBGCA	6005ZZ	25	0.9843	47	1.8504	12	0.472	3.38	0.750	1.614	2.25	2.375	1.375	0.344	0.531	0.344	5/16

Order Example The part number consists only of the fields with blue characters. The D (H7) is a standard fit representing clearance fit tolerance. P.608

Part No. **626ZZ**

Type **U-BGCA** Bearing No. **6000ZZ**

Days to Ship **1** Day

EX Example

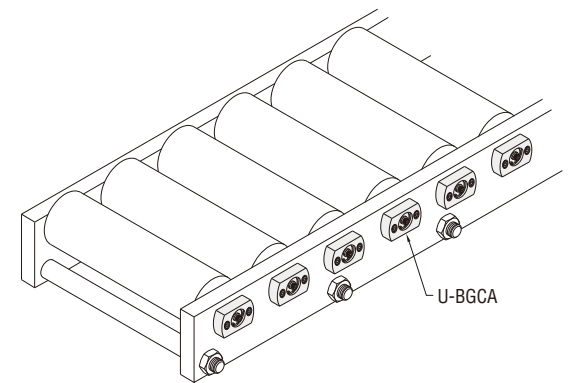
Price

Quantity Discount Rate

Quantity	Rate
1-9	-
10-19	2%
20-49	3%
50-	5%

*For larger quantity orders "Days to Ship" may differ from published catalog term. P.29

Bearing No.	\$ Unit Price (Qty. 1-9)		
	Compact		
	U-BGCA	U-BACA	U-SBGCA
626ZZ	19.40	21.20	33.60
628ZZ	20.30	23.30	33.70
6000ZZ	21.10	23.50	33.80
6001ZZ	21.70	25.10	35.30
6002ZZ	23.40	26.40	39.70
6003ZZ	25.40	29.00	47.30
6004ZZ	26.80	30.80	52.30
6005ZZ	27.40	-	-



Related Components

- Shaft Collars P.143
- Rotary Shafts P.205
- Bearing Locknuts P.275

Express Options P.30

MISUMI
www.misumiusa.com E-mail: inquire@misumiusa.com

TEL.1-847-843-9105 FAX.1-847-843-9107 TOLL FREE TEL.1-800-681-7475 TOLL FREE FAX.1-800-681-7402

Contents

- How to Use the Catalog
- Linear Motion
- Linear Shafts
- Bushings
- Shaft Supports
- Shaft Collars
- Linear Guides
- Rotary Motion
- Rotary Shafts
- Bearings w/ Housings
- Pulleys Belts Couplings
- Locating Components
- Locating Pins & Bushings
- Locating Components
- General Components
- Pivot Pins Floating Joints
- Posts Device Stands Strut Clamps
- Angle Plates Gussets Welded Stands
- Washers Collars
- Manifolds
- Urethanes Rubbers
- Plates
- Misc.
- Technical Data
- Business Information
- Index