

Shaft Collars –"D" Shape, Clamp–



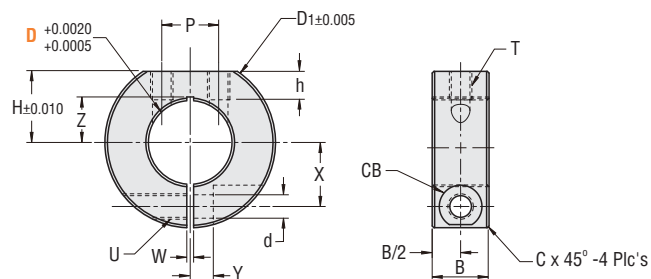
The collars are usually used with shafts in rotary or linear applications. The "D" Shape Shaft Collar has a machined flat surface with two threaded mounting holes that can be used in a variety of applications. An example is mounting a proximity flag. Available in 1045 steel and 304 Stainless.

Clamp



Material	Surface Treatment	Included Hardware & Material	Type
1045 Steel	Black Oxide	Steel S.H.C.S. (1 Piece)	U-SDS
	Electroless Nickel Plating	Stainless Steel S.H.C.S. (1 Piece)	U-PSDS
304 Stainless Steel	-	Stainless Steel S.H.C.S. (1 Piece)	U-SSCDS

Material Characteristics **P.628, 629**



General Tolerance
Unless otherwise specified use the table below.

From	To	Tolerance
0.000	5.000	+0.01
5.001	16.000	+0.02
16.001	60.000	+0.05

Thread or hole location tolerance: ±0.005' non-cumulative.

Surface Roughness:
Unless otherwise specified $\sqrt{32}$

Type	Part No.			\$ Unit Price (Qty. 1-9)		
	Callout	D	Actual	U-SDS	U-PSDS	U-SSCDS
U-SDS U-PSDS U-SSCDS	0.25	1/4	0.2500	10.50	10.60	10.90
	0.38	3/8	0.3750	10.60	10.70	11.00
	0.50	1/2	0.5000	11.20	11.30	11.70
	0.63	5/8	0.6250	12.20	12.30	12.70
	0.75	3/4	0.7500	12.80	12.90	13.40
	1.00	1"	1.0000	14.70	14.80	15.30
	1.25	1-1/4	1.2500	16.50	16.60	17.20
	1.50	1-1/2	1.5000	28.80	29.10	30.10

Order Example

Part No.

Type

U-SDS 0.50

Technical Information

D	D1	T (Thread)		B	P	W	C	Z	X	h	U (Thread)		Y	CB	d	H
		Size	Major Dia.								Size	Major Dia.				
0.25	0.688	#2-56	0.086	0.313	0.188	0.04	0.020	0.156	0.234	0.19	#4-40	0.112	0.100	0.219	0.125	0.281
0.38	0.875	#2-56	0.086	0.375	0.281	0.06	0.020	0.200	0.313	0.25	#6-32	0.138	0.141	0.281	0.154	0.348
0.50	1.125	#4-40	0.112	0.438	0.375	0.06	0.020	0.285	0.406	0.25	#8-32	0.164	0.141	0.312	0.180	0.473
0.63	1.313	#6-32	0.138	0.438	0.406	0.06	0.020	0.348	0.484	0.25	#10-32	0.190	0.203	0.375	0.206	0.567
0.75	1.500	#8-32	0.164	0.500	0.469	0.06	0.020	0.400	0.563	0.25	#10-32	0.190	0.203	0.375	0.206	0.625
1.00	1.750	#8-32	0.164	0.500	0.500	0.08	0.030	0.525	0.678	0.25	1/4-28	0.250	0.281	0.438	0.265	0.750
1.25	2.063	#8-32	0.164	0.500	0.500	0.08	0.030	0.660	0.828	0.25	1/4-28	0.250	0.313	0.438	0.265	0.942
1.50	2.375	#8-32	0.164	0.563	0.563	0.08	0.030	0.785	0.968	0.25	1/4-28	0.250	0.344	0.438	0.265	1.098

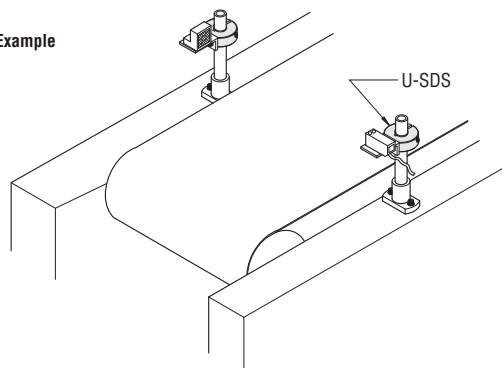
Days to Ship **1** Day

EX Example

Quantity Discount Rate

Quantity	1-9	10-29	30-49	50~
Rate	—	2%	3%	5%

For larger quantity orders "Days to Ship" may differ from published catalog term. **P.29**



Shaft Collars –"D" Shape, Split–



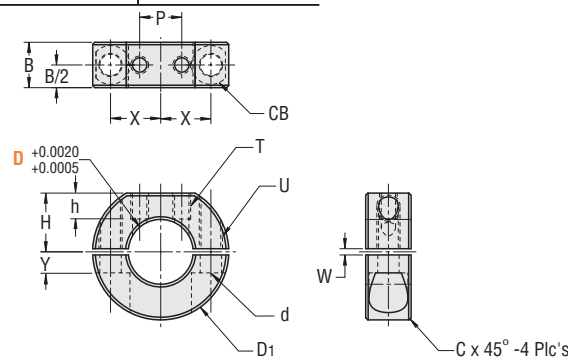
The collars are usually used with shafts in rotary or linear applications. The split version allows quick assembly. The "D" Shape Shaft Collar has a machined flat surface with two threaded mounting holes that can be used in a variety of applications. An example is mounting a proximity flag. Available in 1045 steel and 304 Stainless.

Split



Material	Surface Treatment	Included Hardware & Material	Type
1045 Steel	Black Oxide	Steel S.H.C.S. (2 Pieces)	U-SDN
	Electroless Nickel Plating	Stainless Steel S.H.C.S. (2 Pieces)	U-PSDN
304 Stainless Steel	-	Stainless Steel S.H.C.S. (2 Pieces)	U-SSCDN

Material Characteristics **P.628, 629**



General Tolerance
Unless otherwise specified use the table below.

From	To	Tolerance
0.000	5.000	+0.01
5.001	16.000	+0.02
16.001	60.000	+0.05

Thread or hole location tolerance: ±0.005' non-cumulative.

Surface Roughness:
Unless otherwise specified $\sqrt{32}$

Type	Part No.			\$ Unit Price (Qty. 1-9)		
	Callout	D	Actual	U-SDN	U-PSDN	U-SSCDN
U-SDN U-PSDN U-SSCDN	0.25	1/4	0.2500	10.50	10.70	10.90
	0.38	3/8	0.3750	10.60	10.80	10.90
	0.50	1/2	0.5000	11.20	11.40	11.60
	0.63	5/8	0.6250	12.20	12.40	12.60
	0.75	3/4	0.7500	12.80	13.00	13.30
	1.00	1"	1.0000	14.70	15.00	15.20
	1.25	1-1/4	1.2500	16.50	16.80	17.10
	1.50	1-1/2	1.5000	28.80	29.30	29.80

Order Example

Part No.

Type

U-SDN 0.50

Technical Information

D	D1	T (Thread)		B	P	W	C	X	h	U (Thread)		Y	CB	d	H
		Size	Major Dia.							Size	Major Dia.				
0.25	0.688	#2-56	0.086	0.313	0.188	0.04	0.020	0.234	0.19	#4-40	0.112	0.100	0.219	0.125	0.281
0.38	0.875	#2-56	0.086	0.375	0.281	0.06	0.020	0.313	0.25	#6-32	0.138	0.141	0.281	0.154	0.348
0.50	1.125	#4-40	0.112	0.438	0.375	0.06	0.020	0.406	0.25	#8-32	0.164	0.141	0.312	0.180	0.473
0.63	1.313	#6-32	0.138	0.438	0.406	0.06	0.020	0.484	0.25	#10-32	0.190	0.203	0.375	0.206	0.567
0.75	1.500	#8-32	0.164	0.500	0.469	0.06	0.020	0.563	0.25	#10-32	0.190	0.203	0.375	0.206	0.625
1.00	1.750	#8-32	0.164	0.500	0.500	0.08	0.030	0.678	0.25	1/4-28	0.250	0.281	0.438	0.265	0.750
1.25	2.063	#8-32	0.164	0.500	0.500	0.08	0.030	0.828	0.25	1/4-28	0.250	0.313	0.438	0.265	0.942
1.50	2.375	#8-32	0.164	0.563	0.563	0.08	0.030	0.968	0.25	1/4-28	0.250	0.344	0.438	0.265	1.098

Days to Ship **1** Day

EX Example

Quantity Discount Rate

Quantity	1-9	10-29	30-49	50~
Rate	—	2%	3%	5%

For larger quantity orders "Days to Ship" may differ from published catalog term. **P.29**

