


Shaft Collars –Set Screw, Standard–

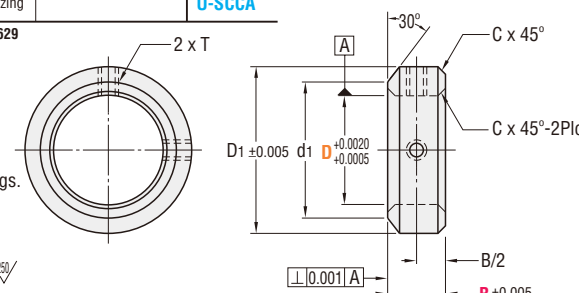
The Set Screw Shaft Collars have 30 degree chamfer on one end that can be used as a shoulder for bearings, pulleys and other similar devices. Set screws ensure firm holding power.

Standard



Material	Surface Treatment	Included Hardware & Material	Type
1045 Steel	Black Oxide	Steel Set Screw (2 pieces)	U-SCCN
	Electroless Nickel Plating		U-PSCCN
304 Stainless Steel	-	Stainless Steel Set Screw (2 pieces)	U-SSCCN
316 Stainless Steel	-		U-SSCCS
6061-T6 Aluminum	Clear Anodizing		U-SCCA

Material Characteristics **P.628, 629**



Dimension "d1" is designed to fit the inner race of standard inch bearings.

The 0.13 size collar has only one set screw hole.

Surface Roughness: Unless otherwise specified

Type	Part No.			Selection (Callout)								\$ Unit Price (Qty. 1~9)							
	Callout	Nominal	Actual	1/4	9/32	3/8	7/16	1/2	9/16	5/8	11/16	3/4	13/16	7/8	U-SCCN	U-PSCCN	U-SSCCN	U-SSCCS	U-SCCA
U-SCCN U-PSCCN U-SSCCN U-SSCCS U-SCCA	0.13	1/8	0.1250	0.25											0.80	1.60	1.80	1.80	0.80
	0.19	3/16	0.1875	0.25											1.00	2.30	2.50	2.50	1.00
	0.25	1/4	0.2500	0.28	0.38										1.00	2.30	2.50	2.50	1.00
	0.38	3/8	0.3750	0.38											1.10	2.70	2.80	2.80	1.00
	0.50	1/2	0.5000	0.44		0.44									1.50	3.40	3.50	3.50	1.50
	0.63	5/8	0.6250	0.50	0.63										1.90	3.70	4.00	4.00	1.80
	0.75	3/4	0.7500	0.56	0.69										2.00	4.00	4.30	4.30	2.00
	1.00	1"	1.0000	0.63	0.75										2.90	5.20	6.30	6.30	2.90
	1.25	1-1/4	1.2500	0.69	0.81										4.70	8.50	10.00	10.00	4.60
	1.50	1-1/2	1.5000	0.75	0.88										6.60	10.00	14.00	14.00	6.50

Order Example

Part No.

Type

U-SCCN 0.25 — B 0.38

Technical Information

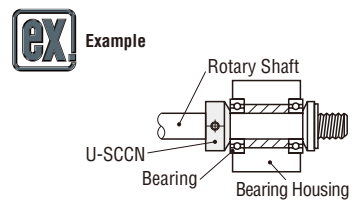
Callout	B		D	D1	d1	C	T (Thread)	
	Nominal	Actual					Size	Major Dia.
0.25	1/4	0.250	0.13	0.375	0.208	0.008	#4-40	0.112
0.28	9/32	0.281	0.19	0.438	0.281	0.008	#6-32	0.138
0.38	3/8	0.375	0.25	0.500	0.375	0.008	#8-32	0.164
0.44	7/16	0.438	0.38	0.750	0.500	0.008	#10-32	0.190
0.50	1/2	0.500	0.50	1.000	0.625	0.015	#10-32	0.190
0.56	9/16	0.563	0.63	1.125	0.875	0.015	5/16-18	0.313
0.63	5/8	0.625	0.69	1.250	1.000	0.015	5/16-18	0.313
0.69	11/16	0.688	0.75	1.500	1.313	0.015	5/16-18	0.313
0.75	3/4	0.750	0.81	2.000	1.562	0.015	3/8-16	0.375
0.81	13/16	0.813	0.88	2.250	1.875	0.015	3/8-16	0.375
0.88	7/8	0.875						

Days to Ship **1** Day

Quantity Discount Rate

Quantity	1-9	10-29	30-49	50~
Rate	—	2%	3%	5%


For larger quantity orders "Days to Ship" may differ from published catalog term. **P.29**



Shaft Collars –Set Screw, with Two Side Mounting Holes–

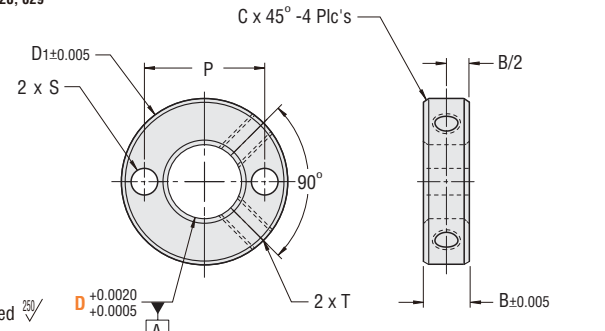
The collars are usually used with shafts in rotary or linear applications. Their advantage is a capability of mounting miscellaneous components directly to the face of the collar. They are fairly small profile and are available in carbon and stainless steel.

Two Side Mounting Holes



Material	Surface Treatment	Included Hardware & Material	Type
1045 Steel	Black Oxide	Steel Set Screw (2 pieces)	U-SCTN
	Electroless Nickel Plating		U-PSCTN
304 Stainless Steel	-	Stainless Steel Set Screw (2 pieces)	U-SSCTN

Material Characteristics **P.628, 629**



The 0.13 size collar has only one set screw hole.

Surface Roughness: Unless otherwise specified

Type	Part No.			\$ Unit Price (Qty. 1~9)		
	Callout	Nominal	Actual	U-SCTN	U-PSCTN	U-SSCTN
U-SCTN U-PSCTN U-SSCTN	0.13	1/8	0.1250	2.00	2.30	3.10
	0.19	3/16	0.1875	2.10	2.80	3.50
	0.25	1/4	0.2500	2.10	2.80	3.50
	0.38	3/8	0.3750	2.20	2.90	3.90
	0.50	1/2	0.5000	3.60	4.10	4.90
	0.63	5/8	0.6250	3.90	5.10	6.10
	0.75	3/4	0.7500	4.10	5.20	10.80
	1.00	1"	1.0000	5.60	7.10	10.80
	1.25	1-1/4	1.2500	9.10	12.00	13.50
	1.50	1-1/2	1.5000	12.20	15.80	28.00

Order Example

Part No.

Type

U-SCTN 0.50

Technical Information

D	D1	T (Thread)		B	P	S	C
		Size	Major Dia.				
0.13	0.469	#4-40	0.112	0.188	0.313	0.094	0.010
0.19	0.562	#5-40	0.125	0.205	0.375	0.094	0.010
0.25	0.688	#6-32	0.138	0.281	0.468	0.125	0.010
0.38	0.875	#8-32	0.164	0.313	0.625	0.154	0.010
0.50	1.125	#10-32	0.190	0.313	0.813	0.180	0.010
0.63	1.375	1/4-28	0.250	0.375	1.000	0.206	0.010
0.75	1.625	5/16-18	0.313	0.375	1.188	0.281	0.010
1.00	2.000	5/16-18	0.313	0.438	1.500	0.344	0.015
1.25	2.500	3/8-16	0.375	0.500	1.875	0.406	0.015
1.50	2.750	3/8-16	0.375	0.500	2.125	0.406	0.015

Days to Ship **1** Day

Quantity Discount Rate

Quantity	1-9	10-29	30-49	50~
Rate	—	2%	3%	5%

For larger quantity orders "Days to Ship" may differ from published catalog term. **P.29**

