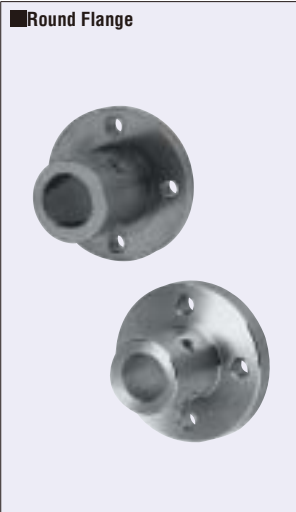


Shaft Supports –Flange Mount–

Shaft Supports, generally used with linear shafts can work as device stand supports or mounting brackets for linear applications. Available with round, square and compact flange types. Choose between low carbon steel, 304 stainless steel or 2017 aluminum. See the application examples on the next page.



Round Flange

Material	Surface Treatment	Type
JIS SS400 (Equivalent to 1018 Steel)	Black Oxide	U-STHRB
	Electroless Nickel Plating	U-STHR
2017 Aluminum	Clear Anodizing	U-ATHR
304 Stainless Steel	-	U-SSTHR

Material Characteristics P.628, 629

General Tolerance Unless otherwise specified use the table below.

From	To	Tolerance
0.000	5.000	±0.01
5.001	16.000	±0.02
16.001	60.000	±0.05

Ⓜ Thread or hole location tolerance: ±0.005' non-cumulative.

Surface Roughness: Unless otherwise specified

Square Flange

Material	Surface Treatment	Type
JIS SS400 (Equivalent to 1018 Steel)	Black Oxide	U-STHCB
	Electroless Nickel Plating	U-STHC
2017 Aluminum	Clear Anodizing	U-ATHC
304 Stainless Steel	-	U-SSTHC

Material Characteristics P.628, 629

General Tolerance Unless otherwise specified use the table below.

From	To	Tolerance
0.000	5.000	±0.01
5.001	16.000	±0.02
16.001	60.000	±0.05

Ⓜ Thread or hole location tolerance: ±0.005' non-cumulative.

Surface Roughness: Unless otherwise specified

Compact Flange

Material	Surface Treatment	Type
JIS SS400 (Equivalent to 1018 Steel)	Black Oxide	U-STHCB
	Electroless Nickel Plating	U-STHC
2017 Aluminum	Clear Anodizing	U-ATHC
304 Stainless Steel	-	U-SSTHC

Material Characteristics P.628, 629

General Tolerance Unless otherwise specified use the table below.

From	To	Tolerance
0.000	5.000	±0.01
5.001	16.000	±0.02
16.001	60.000	±0.05

Ⓜ Thread or hole location tolerance: ±0.005' non-cumulative.

Surface Roughness: Unless otherwise specified

Type	Part No.			\$ Unit Price (Qty. 1-9)							
	Callout	Nominal	Tolerance	Round Flange				Square Flange			
				U-STHRB	U-STHR	U-ATHR	U-SSTHR	U-STHCB	U-STHC	U-ATHC	U-SSTHC
Round Flange	0.25	1/4	0.2506 0.2500	10.80	12.00	13.10	14.00	12.40	13.80	15.10	18.40
U-STHRB U-STHR	0.38	3/8	0.3756 0.3750	14.00	15.60	17.80	18.00	15.60	17.30	20.50	22.50
U-ATHR U-SSTHR	0.50	1/2	0.5007 0.5000	15.00	16.70	19.30	18.00	17.60	19.60	22.00	22.50
Square Flange	0.63	5/8	0.6257 0.6250	16.40	18.20	20.90	23.60	19.40	21.50	24.20	28.40
U-STHCB U-STHC	0.75	3/4	0.7508 0.7500	18.40	20.40	23.60	33.30	21.00	23.30	26.90	37.60
U-ATHC U-SSTHC	1.00	1"	1.0008 1.0000	19.60	21.80	25.50	37.30	22.40	24.90	29.30	44.50
	1.50	1-1/2	1.5010 1.5000	29.20	32.40	35.60	79.50	33.60	37.30	40.90	83.80

Technical Information

D	L	D1	H	G	ℓ	T (Thread)		P.C.D.	K	d1	
						Size	Major Dia.			Diameter	Compatible Bolt
0.25	0.625	0.500	1.13	0.14	0.375	#6-32	0.138	0.813	0.88	0.154	#6
0.38	0.750	0.625	1.25	0.19	0.500	#6-32	0.138	0.938	0.97	0.154	#6
0.50	1.000	0.875	1.72	0.25	0.625	#10-32	0.190	1.313	1.31	0.206	#10
0.63	1.250	1.000	1.88	0.25	0.750	#10-32	0.190	1.438	1.44	0.206	#10
0.75	1.500	1.250	2.25	0.31	1.000	1/4-20	0.250	1.750	1.75	0.281	1/4
1.00	1.750	1.625	2.63	0.38	1.125	1/4-20	0.250	2.125	2.00	0.281	1/4
1.50	2.250	2.250	3.50	0.38	1.375	5/16-18	0.313	2.875	2.69	0.344	5/16

Technical Information

Type	Part No.			\$ Unit Price (Qty. 1-9)			
	Callout	Nominal	Tolerance	Compact Flange			
				U-STHCB	U-STHC	U-ATHC	U-SSTHC
Compact Flange U-STHCB U-STHC U-ATHC U-SSTHC	0.13	1/8	0.1255 0.1250	10.00	11.10	12.20	12.90
	0.19	3/16	0.1880 0.1875	11.30	12.60	13.80	14.20
	0.25	1/4	0.2506 0.2500	11.80	13.10	14.40	16.20
	0.38	3/8	0.3756 0.3750	14.00	15.60	18.00	16.50
	0.50	1/2	0.5007 0.5000	17.40	19.30	21.30	20.20
	0.63	5/8	0.6257 0.6250	18.80	20.90	23.10	27.10
0.75	3/4	0.7508 0.7500	20.40	22.70	25.80	35.50	
1.00	1"	1.0008 1.0000	22.00	24.40	28.00	41.80	
1.50	1-1/2	1.5010 1.5000	32.00	35.60	39.30	102.20	

Technical Information

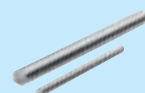
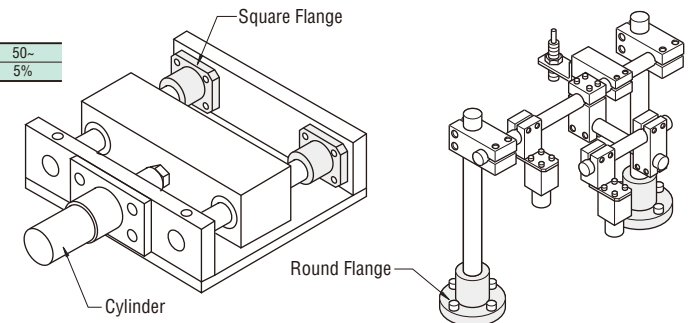
D	L	D1	H	G	ℓ	T (Thread)		W	P1	F	d1	
						Size	Major Dia.				Diameter	Compatible Bolt
0.13	0.375	0.313	0.83	0.13	0.250	#4-40	0.112	0.38	0.594	-	0.125	#4
0.19	0.375	0.438	0.94	0.13	0.250	#4-40	0.112	0.50	0.688	-	0.125	#4
0.25	0.625	0.500	1.13	0.14	0.375	#6-32	0.138	0.56	0.813	-	0.154	#6
0.38	0.750	0.625	1.25	0.19	0.500	#6-32	0.138	0.69	0.938	-	0.154	#6
0.50	1.000	0.875	1.72	0.25	0.625	#10-32	0.190	1.06	1.125	0.656	0.206	#10
0.63	1.250	1.000	1.88	0.25	0.750	#10-32	0.190	1.13	1.250	0.719	0.206	#10
0.75	1.500	1.250	2.25	0.31	1.000	1/4-20	0.250	1.38	1.531	0.875	0.281	1/4
1.00	1.750	1.625	2.63	0.38	1.125	1/4-20	0.250	1.69	1.844	1.063	0.281	1/4
1.50	2.250	2.250	3.50	0.38	1.375	5/16-18	0.313	2.38	2.500	1.438	0.344	5/16

Order Example: Part No. U-STHR 1.00, Days to Ship 1 Day, Example

Price

Quantity	Rate
1-9	—
10-19	2%
20-49	3%
50-	5%

For larger quantity orders 'Days to Ship' may differ from published catalog term. P.29



Linear Shafts P.39



Linear Bushings P.77