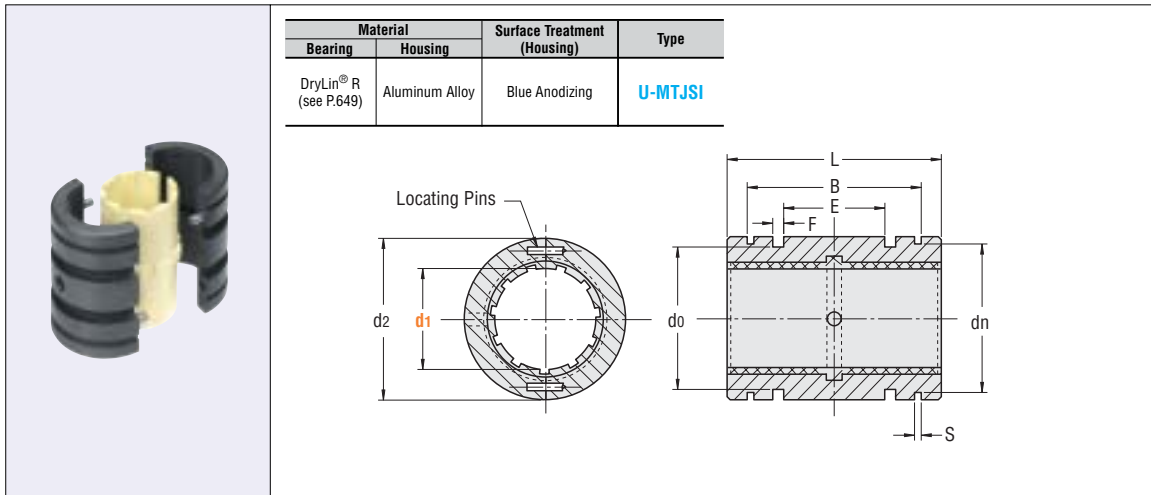


DryLin® Straight, Split Linear Bearings



The Split Linear Plain Bearings house DryLin® R Liners, and are designed to work with all MISUMI linear shafts including chrome plated shafts. Especially valuable for extreme applications with frequent maintenance, the split housing allows the replacement of bearings without the need for dismantling shaft assemblies. The two shells of the housing can be easily opened and the DryLin® liner can be replaced quickly. The plain bearings can be used in linear, rotary, and oscillating applications.



Material		Surface Treatment (Housing)	Type
Bearing	Housing		
DryLin® R (see P.649)	Aluminum Alloy	Blue Anodizing	U-MTJSI

Type	Part No.			d2		L		\$ Unit Price		
	Callout	Nominal	Tolerance	Nominal	Tolerance	Tolerance	Qty. 1-9			
U-MTJSI	08	1/2	0.5016	0.5036	7/8	0.8742	0.8734	1.250	1.246	26.40
	10	5/8	0.6266	0.6286	1-1/8	1.1240	1.1050	1.500	1.496	28.90
	12	3/4	0.7516	0.7536	1-1/4	1.2490	1.2300	1.625	1.621	38.10
	16	1"	1.0016	1.0036	1-9/16	1.5613	1.5385	2.250	2.246	50.60
	24	1-1/2	1.5020	1.5047	2-3/8	2.3738	2.3510	3.000	2.996	78.80

Order Example The part number consists only of the fields with blue characters. Please refer to the table below for technical information.

Part No.

Type

U-MTJSI 12

Technical Information

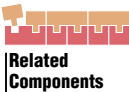
Callout	B	S	dn	E	F + 0.008 - 0.000	do + 0.008 - 0.000	Recommended Housing Bore Tolerance		Liner (P.111)		p max. Dynamic Load (lbs) p=725psi	p max. Static Load (lbs) p=5075psi
							Name	Part No.	Name	Part No.		
08	0.979	0.052	0.820	0.281	0.125	0.712	0.8758	0.8750	DryLin® R Liner	U-MJUI08	225	1575
10	1.124	0.062	1.060	0.312	0.125	0.962	1.1258	1.1250	DryLin® R Liner	U-MJUI10	338	2365
12	1.186	0.062	1.177	0.312	0.125	1.087	1.2510	1.2500	DryLin® R Liner	U-MJUI12	439	3077
16	1.773	0.074	1.471	0.500	0.125	1.399	1.5630	1.5625	DryLin® R Liner	U-MJUI16	811	5678
24	2.440	0.095	2.241	0.650	0.162	2.152	2.3760	2.3750	DryLin® R Liner	U-MJUI24	1622	11358

Days to Ship **1** Day

Price

Quantity Discount Rate				
Quantity	1-9	10-19	20-49	50~
Rate	—	2%	3%	5%

For larger quantity orders "Days to Ship" may differ from published catalog term. P.29

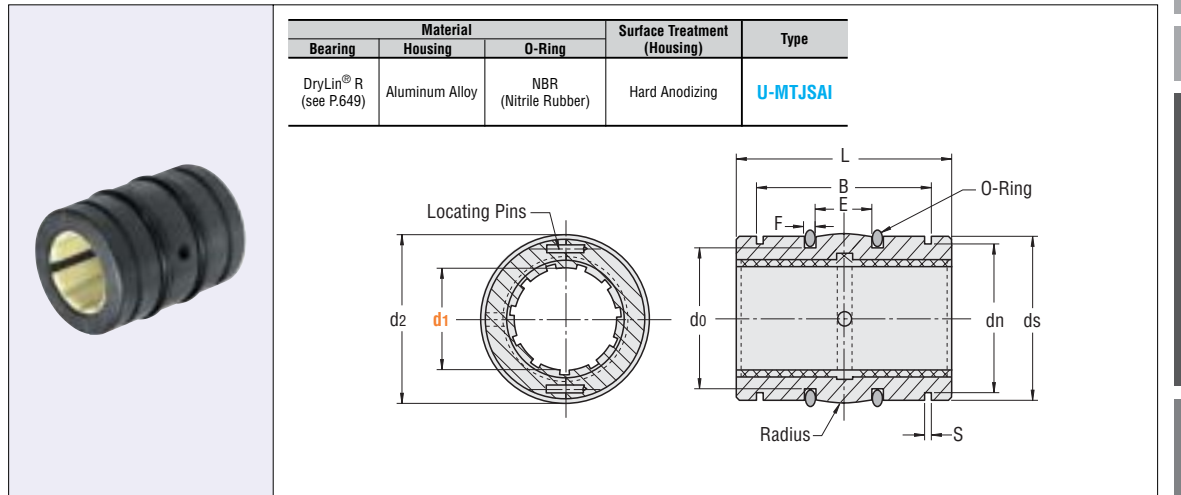


Linear Shafts
P.39

DryLin® Self-Aligning, Split Linear Bearings



The Self-Aligning Split Plain Bearings house DryLin® R Liners, and are designed to work with all MISUMI linear shafts including chrome plated shafts. The self-aligning crown feature allows the bearing to re-align itself in binding situations. In order to compensate for parallelism errors between two shafts use a combination of straight bushing on one shaft and self-aligning on the other. Please refer to P.649 for more information on DryLin® R Liners. The bearings can be used in linear, rotary, and oscillating applications.



Material			Surface Treatment (Housing)	Type
Bearing	Housing	O-Ring		
DryLin® R (see P.649)	Aluminum Alloy	NBR (Nitrile Rubber)	Hard Anodizing	U-MTJSAI

Type	Part No.			d2		L		\$ Unit Price		
	Callout	Nominal	Tolerance	Nominal	Tolerance	Tolerance	Qty. 1-9			
U-MTJSAI	08	1/2	0.5016	0.5036	7/8	0.8742	0.8734	1.242	1.238	26.40
	10	5/8	0.6266	0.6286	1-1/8	1.1240	1.1050	1.492	1.488	28.90
	12	3/4	0.7516	0.7536	1-1/4	1.2490	1.2300	1.617	1.613	38.10
	16	1"	1.0016	1.0036	1-9/16	1.5613	1.5385	2.238	2.234	50.60
	24	1-1/2	1.5020	1.5047	2-3/8	2.3738	2.3510	2.984	2.980	78.80

Order Example The part number consists only of the fields with blue characters. Please refer to the table below for technical information.

Part No.

Type

U-MTJSAI 16

Technical Information

Callout	B	S	ds	dn	E	F + 0.008 - 0.000	do + 0.008 - 0.000	Recommended Housing Bore Tolerance		Liner (P.111)		p max. Dynamic Load (lbs) p=725psi	p max. Static Load (lbs) p=5075psi
								Name	Part No.	Name	Part No.		
08	0.979	0.052	0.8563	0.820	0.281	0.125	0.712	0.8758	0.8750	DryLin® R Liner	U-MJUI08	225	1575
10	1.124	0.062	1.1039	1.060	0.312	0.125	0.962	1.1258	1.1250	DryLin® R Liner	U-MJUI10	338	2365
12	1.186	0.062	1.2276	1.177	0.312	0.125	1.087	1.2510	1.2500	DryLin® R Liner	U-MJUI12	439	3077
16	1.773	0.074	1.5350	1.471	0.500	0.125	1.399	1.5630	1.5625	DryLin® R Liner	U-MJUI16	811	5678
24	2.440	0.095	2.3370	2.241	0.650	0.162	2.152	2.3760	2.3750	DryLin® R Liner	U-MJUI24	1622	11358

Days to Ship **1** Day

Price

Quantity Discount Rate				
Quantity	1-9	10-19	20-49	50~
Rate	—	2%	3%	5%

For larger quantity orders "Days to Ship" may differ from published catalog term. P.29

Express Options
P.30

MISUMI
www.misumiusa.com E-mail: inquire@misumiusa.com

TEL.1-847-843-9105 FAX.1-847-843-9107 TOLL FREE TEL.1-800-681-7475 TOLL FREE FAX.1-800-681-7402

Contents

How to Use the Catalog

Linear Motion

Linear Shafts

Bushings

Shaft Supports
Shaft Collars

Linear Guides

Rotary Motion

Rotary Shafts

Bearings w/
Housings

Pulleys
Belts
Couplings

Locating Components

Locating Pins &
Bushings

Locating Components

General Components

Pivot Pins
Floating Joints

Posts
Device Stands
Strut Clamps

Angle Plates
Gussets
Welded Stands

Washers
Collars

Manifolds

Urethanes
Rubbers

Plates

Misc.

Technical Data

Business Information

Index