


Center Flanged Linear Bushings



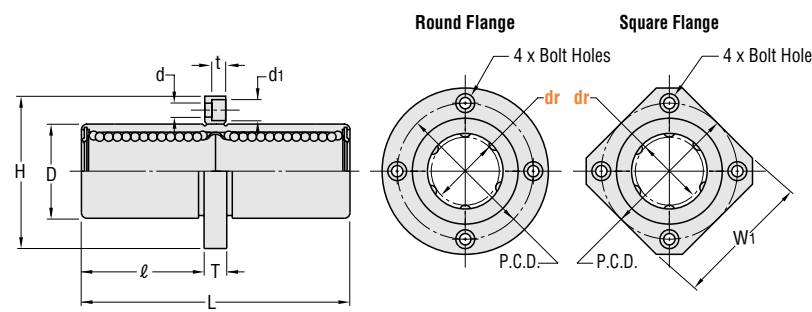
The Flanged Linear Ball Bushings with Pilot are designed for all Steel Misumi linear shafts. They are engineered to be working with extremely small clearance or even a slight pre-load between the shaft and the bushing balls. Choose from a variety of compact flange configurations. The Pilot feature allows you to precisely mount the bushing inside the carriage block. With the flange located in the center of the part, half of the bushing can be inside the carriage block, while the other half is outside.

Price Revision
New Price



Outer Cylinder Material	Outer Cylinder Hardness	Ball Material	Cage Material	Temp. Range	Seal Material	Flange	Type
52100 Bearing Steel	58HRC~	52100 Bearing Steel	Plastic (Delrin Glass)	-4 - 176°F	NBR (Nitrile Rubber)	Round	U-LHMRW
						Square	U-LHMSW

Material Characteristics P.628



Round Flange
4 x Bolt Holes
P.C.D.
dr

Square Flange
4 x Bolt Holes
P.C.D.
dr

From	To	Tolerance
0.000	5.000	±0.01
5.001	16.000	±0.02
16.001	60.000	±0.05

Thread or hole location tolerance: ±0.005" non-cumulative.

Type	Part No.			D		L ±0.012	\$ Unit Price (Qty. 1 ~ 9)	
	Callout	Nominal	Tolerance	Nominal	Tolerance		U-LHMRW / U-LHMSW	
							U-LHMRW	U-LHMSW
U-LHMRW U-LHMSW	0.25	1/4	0.2497 0.2493	1/2	0.5000 0.4996	1.375	24.30	29.10
	0.38	3/8	0.3747 0.3743	5/8	0.6250 0.6246	1.594	25.30	30.00
	0.50	1/2	0.4997 0.4993	7/8	0.8750 0.8746	2.375	29.50	35.40
	0.63	5/8	0.6247 0.6243	1-1/8	1.1250 1.1246	2.813	34.30	40.80
	0.75	3/4	0.7498 0.7494	1-1/4	1.2500 1.2496	3.094	41.40	49.40
	1.00	1"	0.9998 0.9994	1-9/16	1.5625 1.5621	4.281	59.30	71.00
	1.25	1-1/4	1.2499 1.2494	2	2.0000 1.9995	5.000	90.10	107.90
1.50	1-1/2	1.4999 1.4993	2-3/8	2.3750 2.3745	5.688	168.60	201.80	

Order Example: Part No. U-LHMRW 0.50. The part number consists only of the fields with blue characters. Please refer to the table below for technical information.

Part No.

Type

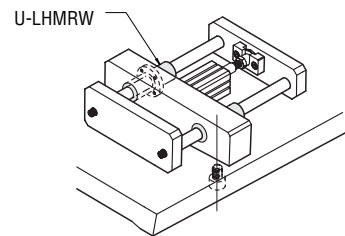
U-LHMRW 0.50

Technical Information

dr	ℓ	H	T	d	d1	t	Compatible Bolt	W1	P.C.D.	Eccentricity (Max)	Perpendicularity	No. of Ball Tracks	Load Capacity (lbf)		Mass (oz)	
													Dynamic	Static	U-LHIRW	U-LHISW
0.25	0.578	1.250	0.219	0.156	0.250	0.141	#6	1.000	0.875	0.0006	0.0006	4	49	68	1.43	1.17
0.38	0.672	1.500	0.250	0.188	0.297	0.172	#8	1.250	1.063	0.0006	0.0006	4	52	72	2.22	1.90
0.50	1.063	1.750	0.250	0.188	0.297	0.172	#8	1.375	1.313	0.0006	0.0006	4	156	214	4.44	3.80
0.63	1.281	2.000	0.250	0.188	0.297	0.172	#8	1.500	1.563	0.0006	0.0006	4	251	313	7.68	6.63
0.75	1.391	2.188	0.313	0.219	0.344	0.203	#10	1.688	1.719	0.0008	0.0008	5	323	428	9.89	8.52
1.00	1.984	2.500	0.313	0.219	0.344	0.203	#10	2.000	2.031	0.0008	0.0008	6	531	814	18.15	16.68
1.25	2.297	3.125	0.406	0.281	0.406	0.266	1/4	2.500	2.563	0.0010	0.0010	6	790	1131	37.28	34.32
1.50	2.594	3.750	0.510	0.344	0.500	0.325	5/16	3.000	3.063	0.0010	0.0010	6	1159	1628	59.15	53.86

Days to Ship: 1 Day


EX Example



Quantity Discount Rate

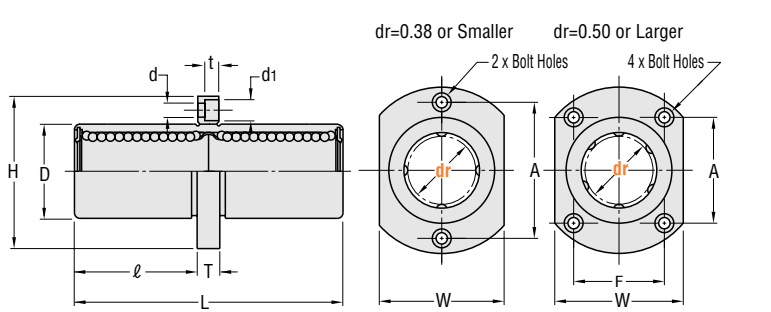
Quantity	1-9	10-19	20-49	50~
Rate	—	2%	3%	5%

For larger quantity orders "Days to Ship" may differ from published catalog term. P.29



Outer Cylinder Material	Outer Cylinder Hardness	Ball Material	Cage Material	Temp. Range	Seal Material	Flange	Type
52100 Bearing Steel	58HRC~	52100 Bearing Steel	Plastic (Delrin Glass)	-4 - 176°F	NBR (Nitrile Rubber)	Compact	U-LHMCW

Material Characteristics P.628



Compact Flange
dr=0.38 or Smaller
2 x Bolt Holes
dr=0.50 or Larger
4 x Bolt Holes
P.C.D.
dr

From	To	Tolerance
0.000	5.000	±0.01
5.001	16.000	±0.02
16.001	60.000	±0.05

Thread or hole location tolerance: ±0.005" non-cumulative.

Type	Part No.			D		L ±0.012	\$ Unit Price (Qty. 1 ~ 9)	
	Callout	Nominal	Tolerance	Nominal	Tolerance		U-LHMCW	
							U-LHMCW	U-LHMCW
U-LHMCW	0.25	1/4	0.2497 0.2493	1/2	0.5000 0.4996	1.375	22.10	
	0.38	3/8	0.3747 0.3743	5/8	0.6250 0.6246	1.594	22.90	
	0.50	1/2	0.4997 0.4993	7/8	0.8750 0.8746	2.375	26.70	
	0.63	5/8	0.6247 0.6243	1-1/8	1.1250 1.1246	2.813	30.30	
	0.75	3/4	0.7498 0.7494	1-1/4	1.2500 1.2496	3.094	36.20	
	1.00	1"	0.9998 0.9994	1-9/16	1.5625 1.5621	4.281	50.80	
	1.25	1-1/4	1.2499 1.2494	2	2.0000 1.9995	5.000	77.20	
1.50	1-1/2	1.4999 1.4993	2-3/8	2.3750 2.3745	5.688	144.40		

Order Example: Part No. U-LHMCW 0.38. The part number consists only of the fields with blue characters. Please refer to the table below for technical information.

Part No.

Type

U-LHMCW 0.38

Technical Information

dr	ℓ	H	T	d	d1	t	Compatible Bolt	W	F	A	Eccentricity (Max)	Perpendicularity	No. of Ball Tracks	Load Capacity (lbf)		Mass (oz)
														Dynamic	Static	
0.25	0.578	1.250	0.219	0.156	0.250	0.141	#6	0.750	-	0.875	0.0006	0.0006	4	49	68	1.15
0.38	0.672	1.500	0.250	0.188	0.297	0.172	#8	0.875	-	1.063	0.0006	0.0006	4	52	72	1.74
0.50	1.063	1.750	0.250	0.188	0.297	0.172	#8	1.125	0.688	1.125	0.0006	0.0006	4	156	214	3.77
0.63	1.281	2.000	0.250	0.188	0.297	0.172	#8	1.375	0.938	1.250	0.0006	0.0006	4	251	313	6.95
0.75	1.391	2.188	0.313	0.219	0.344	0.203	#10	1.500	1.000	1.375	0.0008	0.0008	5	323	428	8.80
1.00	1.984	2.500	0.313	0.219	0.344	0.203	#10	1.875	1.313	1.563	0.0008	0.0008	6	531	814	17.13
1.25	2.297	3.125	0.406	0.251	0.406	0.226	1/4	2.313	1.500	2.063	0.0010	0.0010	6	790	1131	35.10
1.50	2.594	3.750	0.500	0.344	0.500	0.325	5/16	2.688	1.813	2.438	0.0010	0.0010	6	1159	1628	54.82

Days to Ship: 1 Day

Quantity Discount Rate

Quantity	1-9	10-19	20-49	50~
Rate	—	2%	3%	5%

For larger quantity orders "Days to Ship" may differ from published catalog term. P.29

